



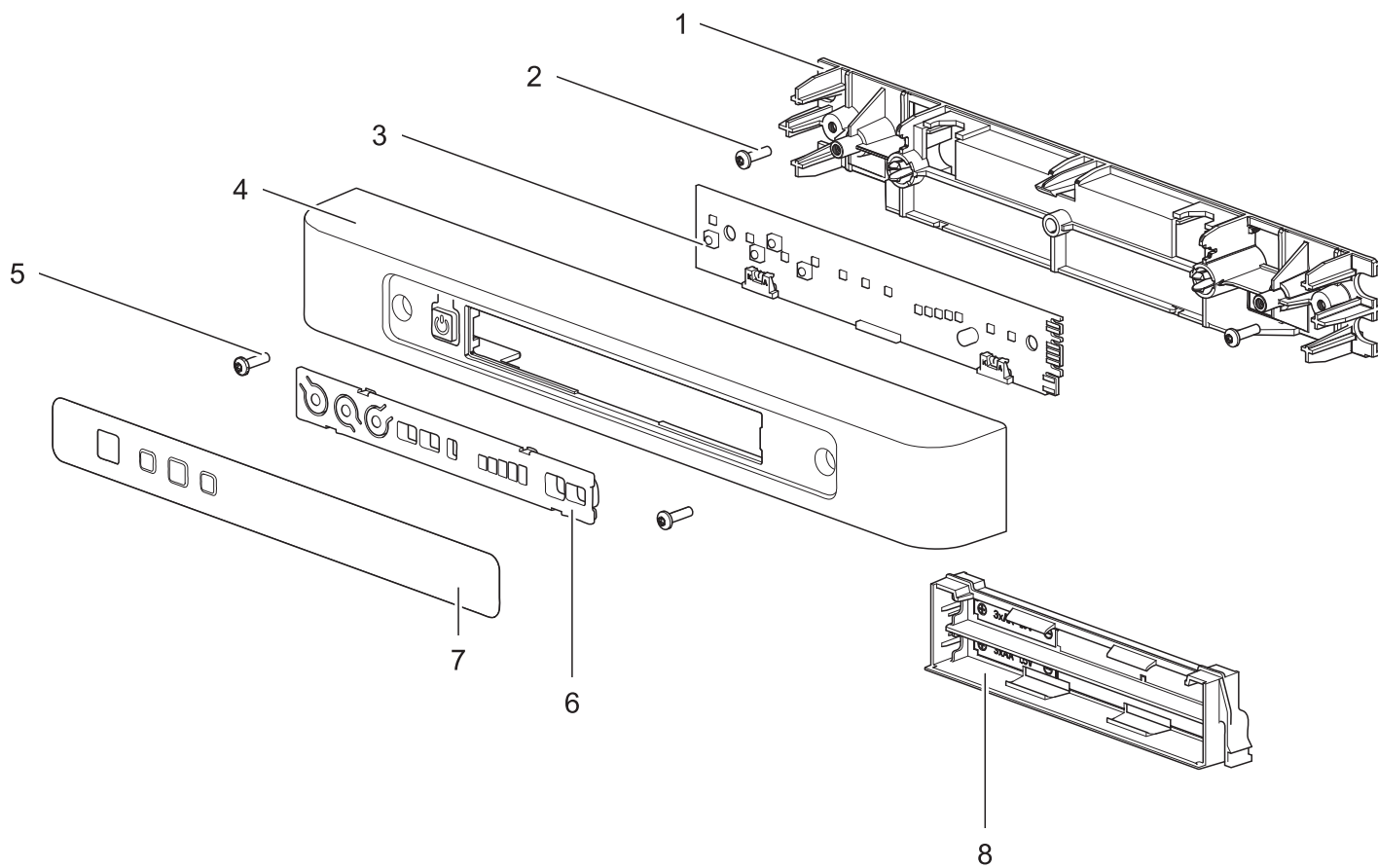
N3000 Sparelist

Use the bookmarks on the left side of the screen to navigate this document.

-

Be aware that not all of the spare part numbers in this document have been released yet.

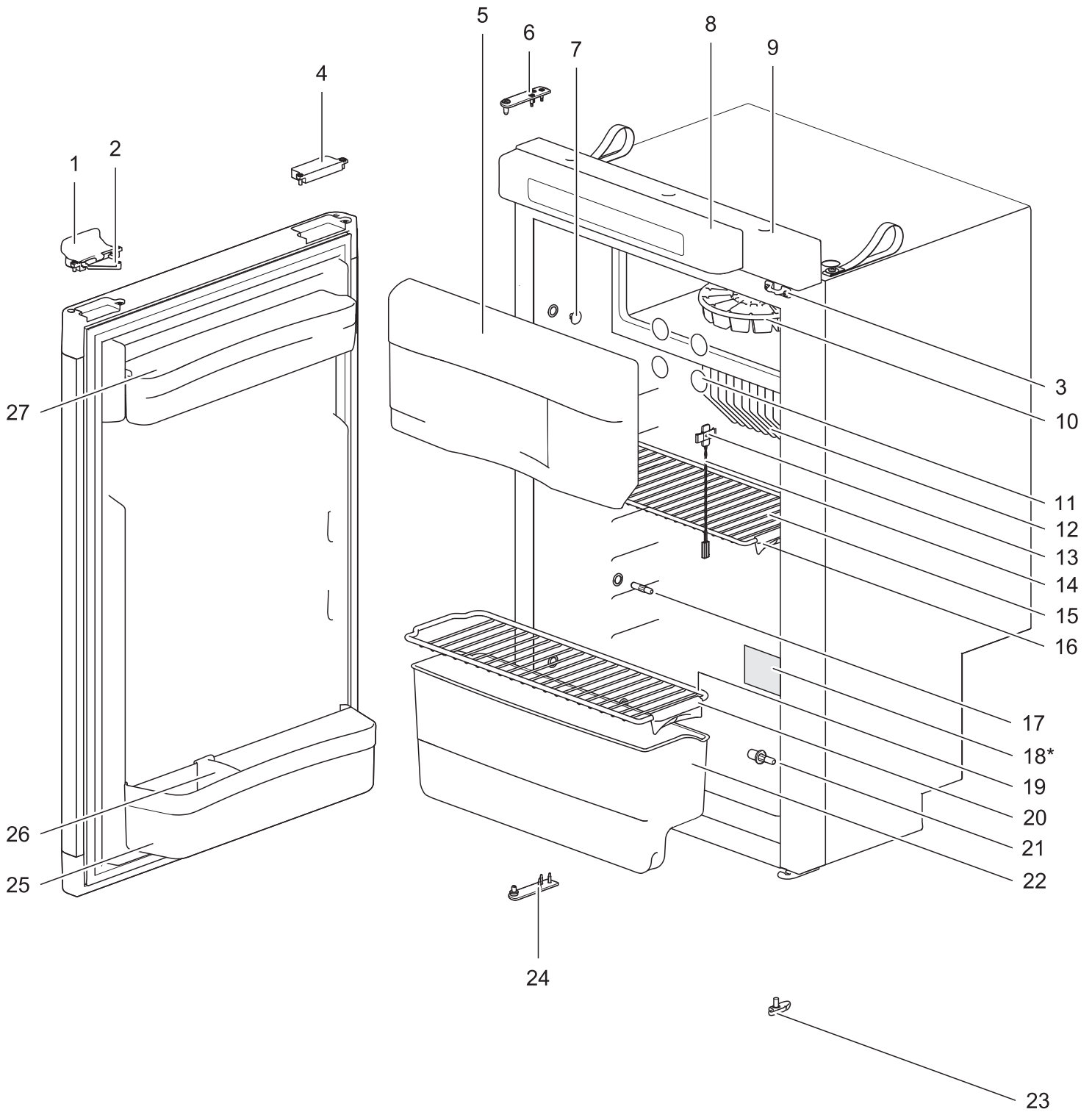
LED-control panel



N3080 LED Control Panel - LE1003

| | Single spare part number | Assembly spare part number | Items included |
|---|--------------------------|--|----------------|
| 1 | Technical panel flat | 690806 | 1, 7 |
| 2 | Screws | | |
| 3 | PCB LED DM | 690805 | 3, 7 |
| 4 | Housing flat wide | 69080707 (Light grey) 690807136 (Dark grey) 69080727 (Black) | 4, 7 |
| 5 | Screws | | |
| 6 | Overlay LED | 690808 | 6, 7 |
| 7 | Sticker LED | 690809 | |
| 8 | Battery hatch | | |
| | Battery pack | 69022507 (Light grey) 69022527 (Black) | |

N3080 Front



18*

| | |
|---|------------------------|
| THE FORD Type C11 e4 CE Model No. _____ Climate Class SN 887 063 Serie No. _____ | |
| 230 V AC / 50-60 Hz / 150 W / 12 V DC / 140 W / 200 130112 | |
| Gross Volume | 27,4 m³ |
| Brutto Volume | 20,0 m³ |
| Volume Brut | |
| Brutto Volume | |
| Freezer Volume | G30/G31: 28-30/37 mbar |
| Gefrierfach Volume | 13/1P G30/G31: 30 mbar |
| Volume Congele | |
| Volume Vreies | |
| Netto Volume | 102 L |
| Volume Net | |
| Netto Volume | |
| CE 0063 EN3297 | Part No. 634607 |
| ABSORBER NH3 = 104,9 g | NA2CR04 = 10,1 g |
| p max = 21 bar | |
| CFC < HCFC, FREE / FKW, FCKW FREI | |
| 820019 0020_SerialFridge_EUR | |

N3080 Front – LE974

| | | Single spare part number | Assembly spare part number | Items included |
|----|-----------------------------------|--------------------------------|----------------------------|----------------|
| 1 | Latch | | 62698507 (Light grey) | |
| 2 | Storage strap | 62698607 | 626985136 (Dark grey) | 1, 2, 3 |
| 3 | Strike plate | | 62698527 (Black) | |
| 4 | Pocket cover | | | |
| 5 | Freezer door (Hinges included) | 690852 | | |
| 6 | Hinge plate | | | |
| 7 | Cap | 62362208 (Contains 2 caps) | | |
| 8 | Control panel LED | | | |
| 9 | Mountingbox | | | |
| 10 | Ice cube tray | | | |
| 11 | Cap freezer bolt | 62447908 (Contains 12 caps) | | |
| 12 | Fin | | | |
| 13 | Fin clip | 623059 | | |
| 14 | Thermistor | 623077 | | |
| 15 | Shelf B | 69080008 | | |
| 16 | Clip shelf small | 62362608 | | |
| 17 | Hinge pin | | | |
| 18 | Identification label * | | | |
| 19 | Shelf A | 69080108 | | |
| 20 | Clip shelf small | 62362608 | | |
| 21 | Hinge pin | | | |
| 22 | Vegetable bin | 69080208 | | |
| 23 | Latch bottom | 62400127 | | |
| 24 | Hinge plate | | | |
| 25 | Door bin flat wide | 69080408 | | |
| 26 | Bottle retainer | 62698912 | | |
| 27 | Door bin flat shallow | 69080308 | | |

* When requesting information about spare parts for your fridge, be sure to always provide its serial number. You can find it below the barcode on the identification label.



N3080 Front – LE974

| | Single spare part number | Assembly spare part number | Items included |
|----|-----------------------------------|--------------------------------|----------------|
| 1 | Latch | 62698507 (Light grey) | |
| 2 | Storage strap | 62698607 | 1, 2, 3 |
| 3 | Strike plate | 626985136 (Dark grey) | |
| | | 62698527 (Black) | |
| 4 | Pocket cover | | |
| 5 | Freezer door (Hinges included) | 690852 | |
| 6 | Hinge plate | | |
| 7 | Cap | 62362208 (Contains 2 caps) | |
| 8 | Control panel LED | | |
| 9 | Mountingbox | | |
| 10 | Ice cube tray | | |
| 11 | Cap freezer bolt | 62447908 (Contains 12 caps) | |
| 12 | Fin | | |
| 13 | Fin clip | 623059 | |
| 14 | Thermistor | 623077 | |
| 15 | Shelf B | 69080008 | |
| 16 | Clip shelf small | 62362608 | |
| 17 | Hinge pin | | |
| 18 | Identification label * | | |
| 19 | Shelf A | 69080108 | |
| 20 | Clip shelf small | 62362608 | |
| 21 | Hinge pin | | |
| 22 | Vegetable bin | 69080208 | |
| 23 | Latch bottom | 62400127 | |
| 24 | Hinge plate | | |
| 25 | Door bin flat wide | 69080408 | |
| 26 | Bottle retainer | 62698912 | |
| 27 | Door bin flat shallow | 69080308 | |

* When requesting information about spare parts for your fridge, be sure to always provide its serial number. You can find it below the barcode on the identification label.



N3080 Back – LE997

Single spare part number Assembly spare part number Items included

| | | | |
|----|---|--------|--|
| 1 | Heat cap | 690812 | |
| 2 | Heat diffuser | | |
| 3 | Heater AC | 633575 | |
| 4 | Heater DC | 633574 | |
| 5 | Heater box | | |
| 6 | Burner assembly | 634570 | |
| 7 | Spark electrode | 690813 | |
| 8 | Power control board (Housing included) | 690811 | |
| 9 | Gas valve | 690810 | |
| 10 | Gas pipe | | |
| 11 | Thermistor cable (Connectors included) | 690853 | |
| | Loose connector temp. sense cable (power board side) | 690855 | |
| 12 | Communication cable (Connectors included) | 690854 | |
| | Loose connector comm. cable (power board side) | 690856 | |



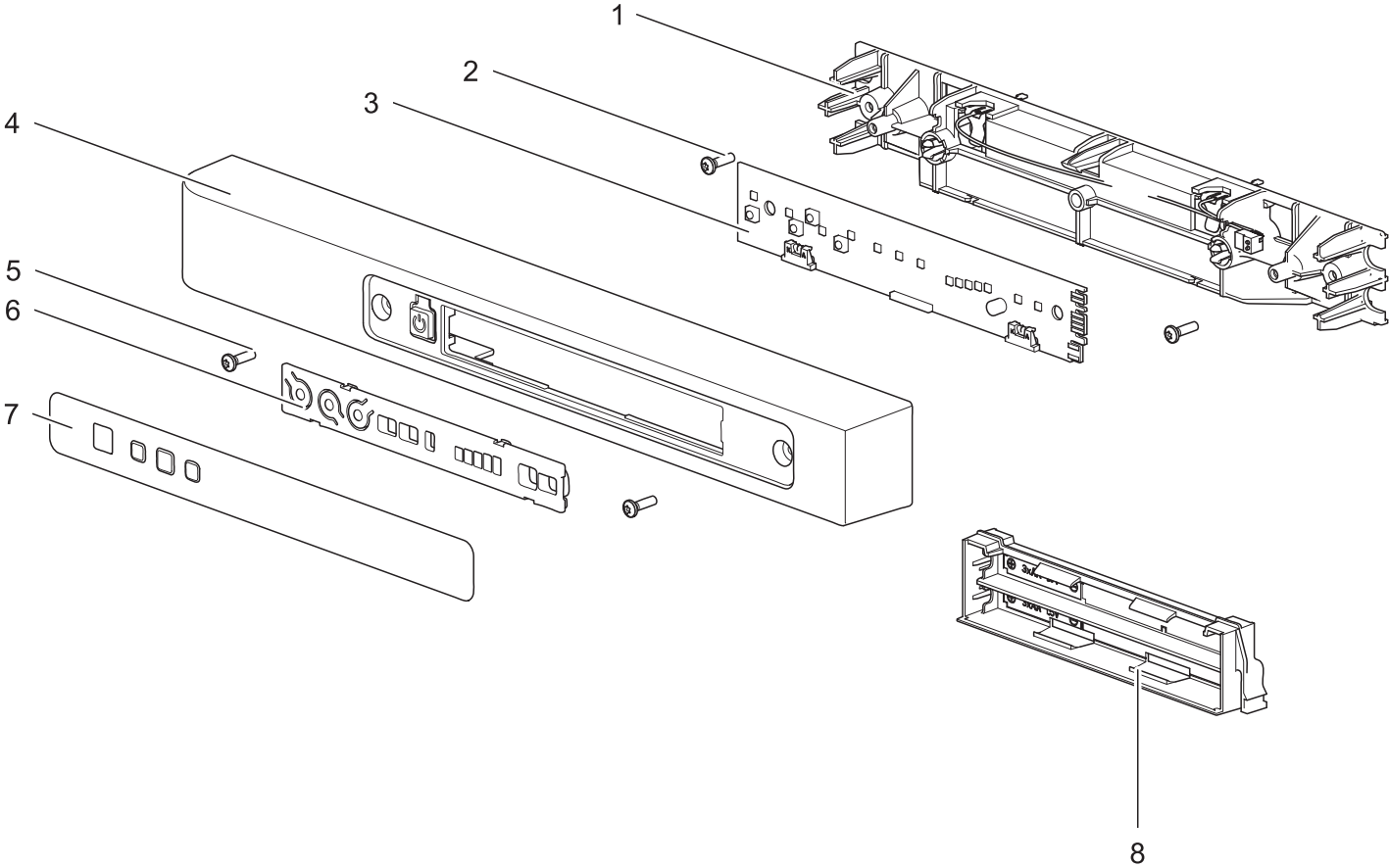
N3080 Back – LE997

Single spare part number Assembly spare part number Items included

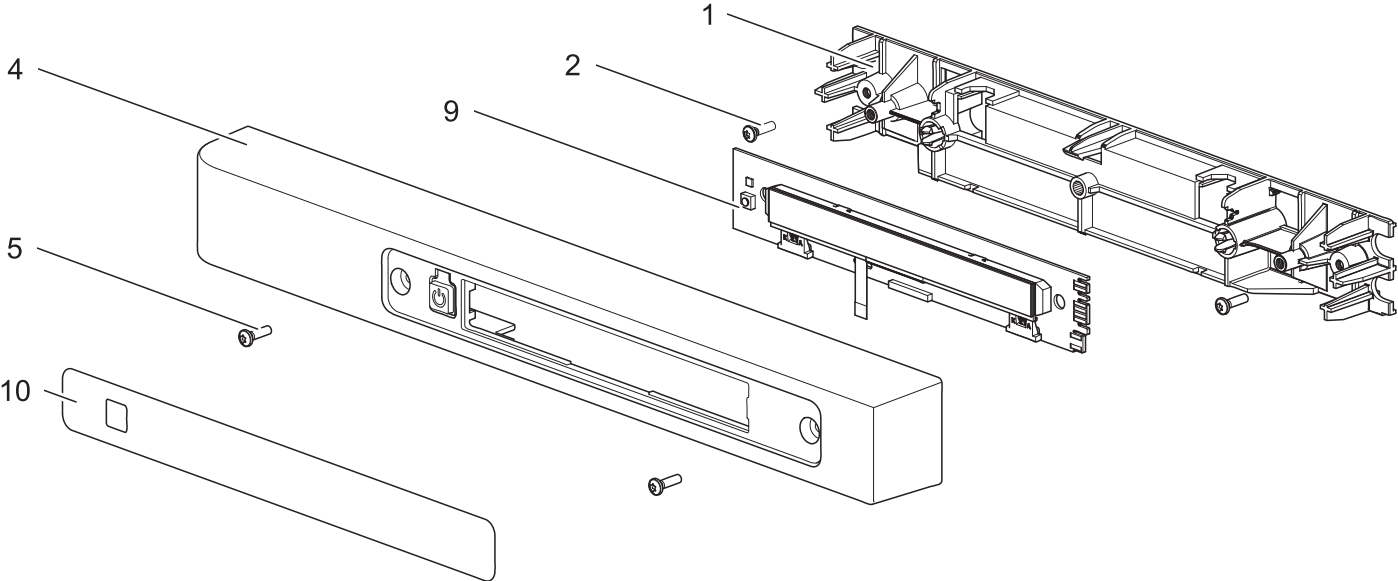
| | | | |
|----|---|--------|--|
| 1 | Heat cap | 690812 | |
| 2 | Heat diffuser | | |
| 3 | Heater AC | 633575 | |
| 4 | Heater DC | 633574 | |
| 5 | Heater box | | |
| 6 | Burner assembly | 634570 | |
| 7 | Spark electrode | 690813 | |
| 8 | Power control board (Housing included) | 690811 | |
| 9 | Gas valve | 690810 | |
| 10 | Gas pipe | | |
| 11 | Thermistor cable (Connectors included) | 690853 | |
| 12 | Communication cable (Connectors included) | 690854 | |
| 13 | Connector temp. sense cable (power board side) | 690855 | |
| 14 | Connector comm. Cable (power board side) | 690856 | |



LED-control panel



LCD-control panel



N3090 E LED Control Panel – LE1004

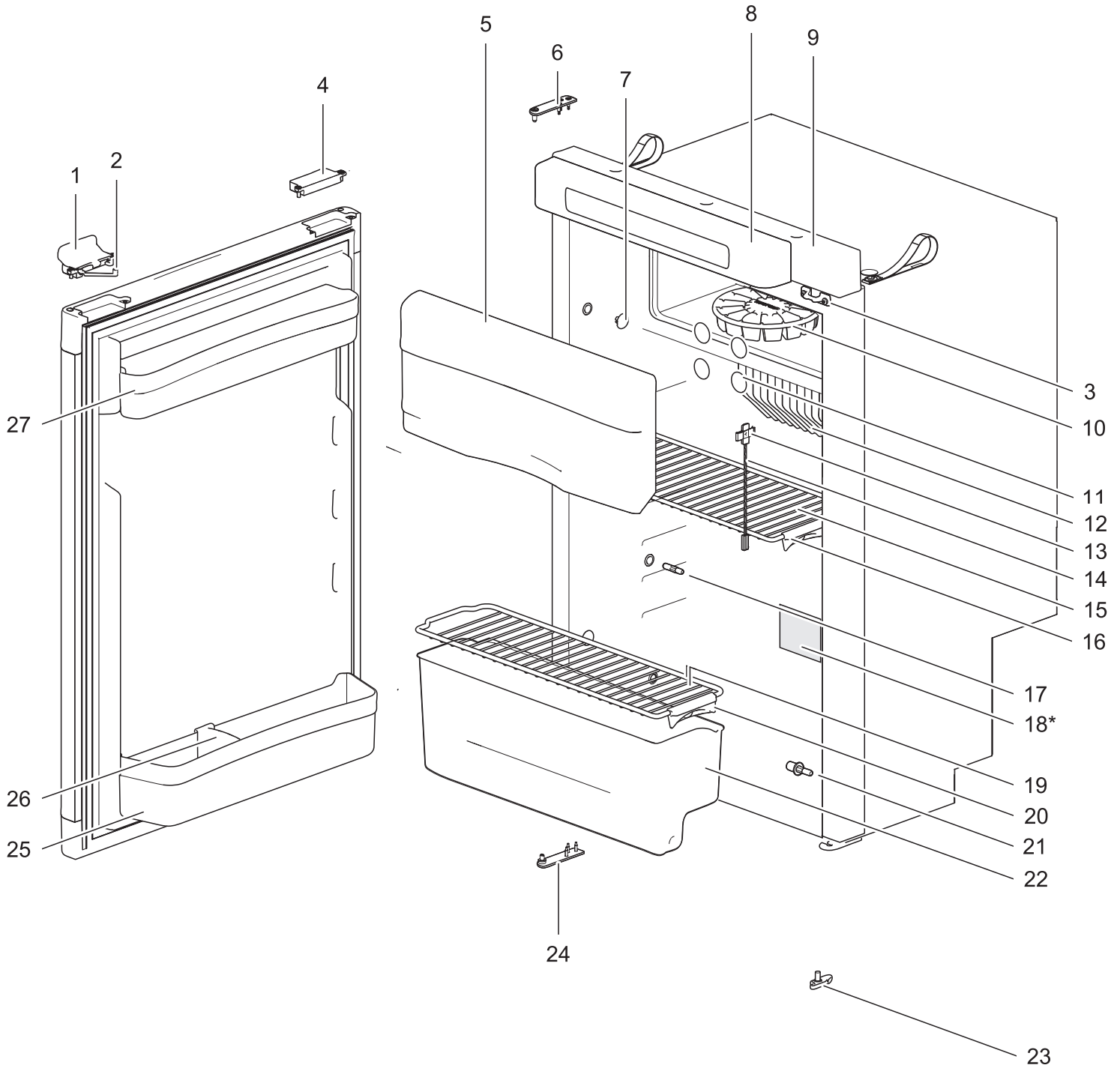
| | Single spare part number | Assembly spare part number | Items included |
|---|---|--|----------------|
| 1 | Technical panel flat | 690806 | 1, 7 |
| 2 | Screws | | |
| 3 | PCB LED DM | 690805 | 3, 7 |
| 4 | Housing flat wide left (For left hinged fridges) | 69082007 (Light grey) 690820136 (Dark grey) 69082027 (Black) | 4, 7 |
| | Housing flat wide right (For right hinged fridges) | 69081907 (Light grey) 690819136 (Dark grey) 69081927 (Black) | 4, 7 |
| 5 | Screws | | |
| 6 | Overlay LED | 690808 | 6, 7 |
| 7 | Sticker LED | 690809 | |
| 8 | Battery hatch | | |
| | Battery pack | 69022507 (Light grey) 69022527 (Black) | |

N3090 A LCD Control Panel – LE1004

| | Single spare part number | Assembly spare part number | Items included |
|----|---|--|----------------|
| 1 | Technical panel flat | 690846 | 1, 10 |
| 2 | Screws | | |
| 4 | Housing flat wide left (For left hinged fridges) | 69084807 (Light grey) 690848136 (Dark grey) 69084827 (Black) | 4, 10 |
| | Housing flat wide right (For right hinged fridges) | 69084707 (Light grey) 690847136 (Dark grey) 69084827 (Black) | 4, 10 |
| 5 | Screws | | |
| 9 | PCB LCD DM | 690821 | 9, 10 |
| 10 | Sticker LCD | 690822 | |



N3090 Front



18*

| | |
|---|--|
| THE FORD Model No. _____ Type C11 e4 CE Serie No. _____ Climate Class SN 188 063 | |
| 230 V AC, 50-60 Hz, 150 W, 12 V DC, 1.48 W, 200 130112 | |
| Gross Volume Brutto Volume Volume Brut Brutto Volume | 108 L 27.4 W 20 1/2 in |
| Freezer Volume Gefrierfach Volume Volume Congele Volume Vroies | G30/G31-28-30/37 mbar I3B/P G30/G31: 30 mbar |
| Net Volume Volume Net Netto Volume | 102 L  E013N100611 |
| CE 0063 EN3297 | Part No. 634807 |
| ABSORBER NH3 = 104.8 g NA2CR04 = 10.1 g p max = 21 bar | |
| CFC < HCFC, FREE / FKW, FCKW FREI | |
| 820019 0020_SerialFridge_EUR | |

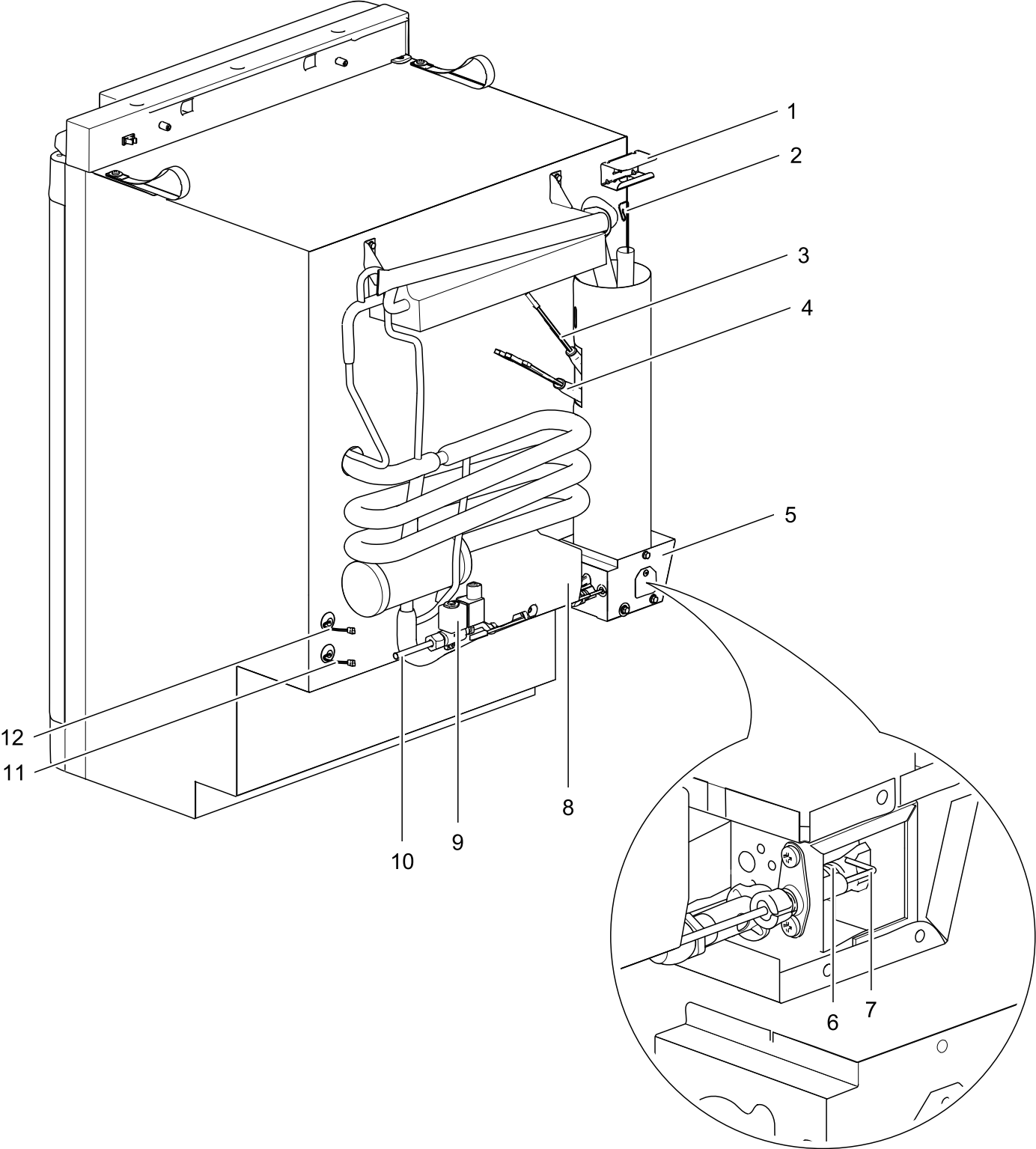
N3090 Front – LE978

| | Single spare part number | Assembly spare part number | Items included |
|----|-----------------------------------|---|----------------|
| 1 | Latch | 62698507 (Light grey) | |
| 2 | Storage strap | 62698607 | 1, 2, 3 |
| 3 | Strike plate | 626985136 (Dark grey) 62698527 (Black) | |
| 4 | Pocket cover | | |
| 5 | Freezer door (Hinges included) | 690852 | |
| 6 | Hinge plate | | |
| 7 | Cap | 62362208 (Contains 2 caps) | |
| 8 | Control panel LED/LCD | | |
| 9 | Mountingbox | | |
| 10 | Ice cube tray | | |
| 11 | Cap freezer bolt | 62447908 (Contains 12 caps) | |
| 12 | Fin | | |
| 13 | Fin clip | 623059 | |
| 14 | Thermistor | 623077 | |
| 15 | Shelf D | 69081408 | |
| 16 | Clip shelf small | 62362608 | |
| 17 | Hinge pin | | |
| 18 | Identification label * | | |
| 19 | Shelf C | 69081508 | |
| 20 | Clip shelf small | 62362608 | |
| 21 | Hinge pin | | |
| 22 | Vegetable bin | 69081608 | |
| 23 | Latch bottom | 62400127 | |
| 24 | Hinge plate | | |
| 25 | Door bin flat wide | 69081808 | |
| 26 | Bottle retainer | 62698912 | |
| 27 | Door bin flat shallow | 69081708 | |

* When requesting information about spare parts for your fridge, be sure to always provide its serial number. You can find it below the barcode on the identification label.



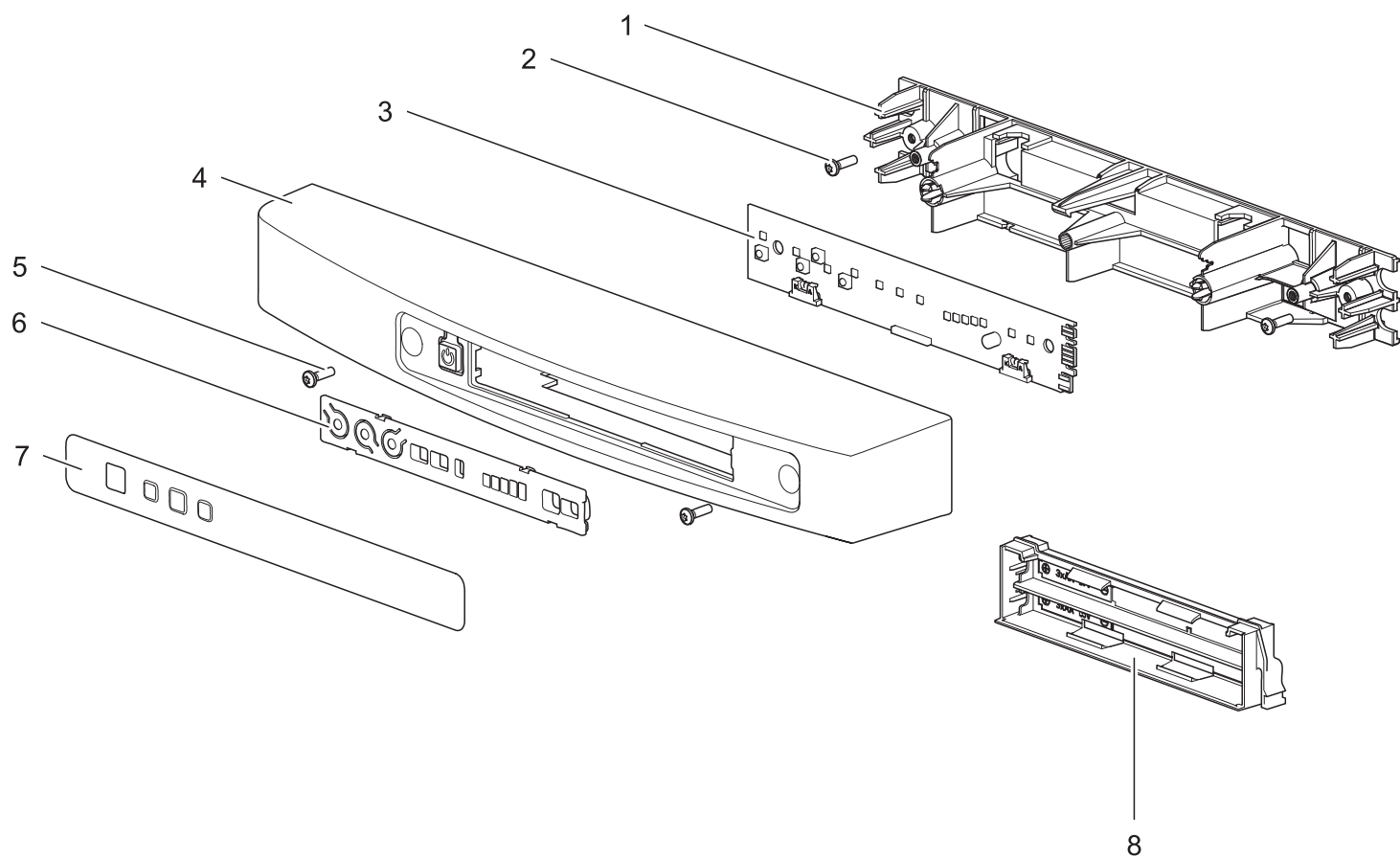
N3090/N3097 Back



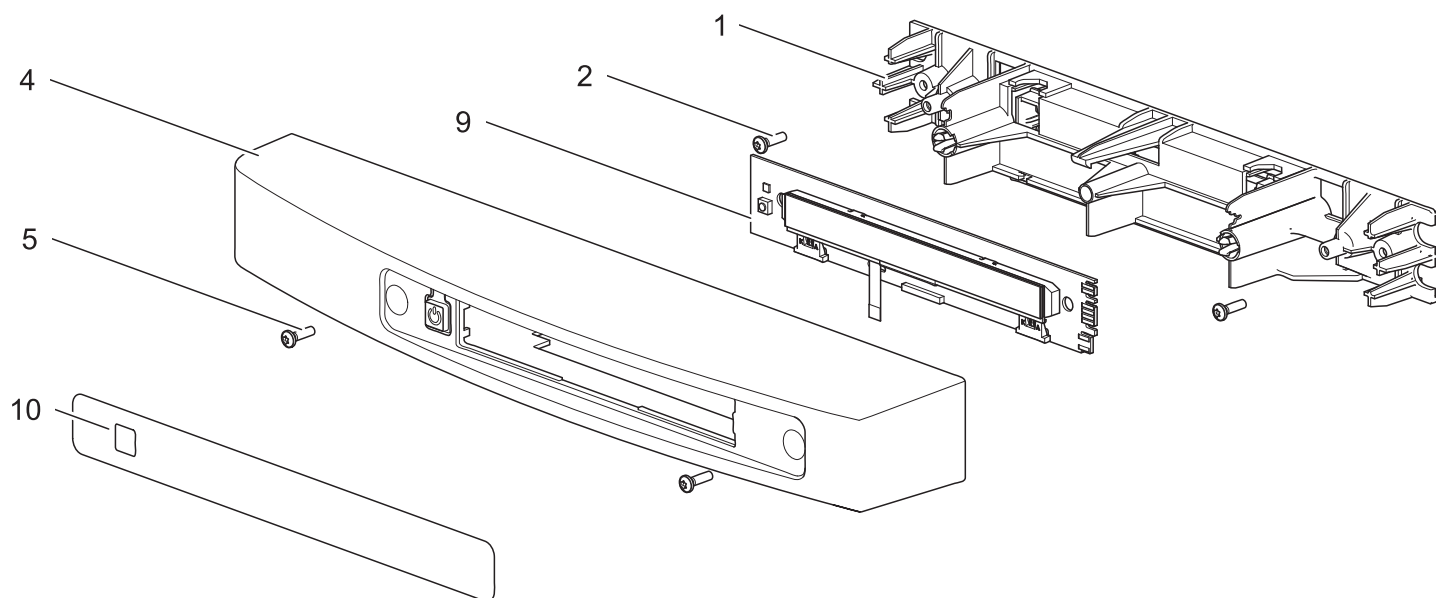
N3090 Back – LE998

| | Single spare part number | Assembly spare part number | Items included |
|----|---|----------------------------|----------------|
| 1 | Heat cap | 690812 | |
| 2 | Heat diffuser | | |
| 3 | Heater AC | 633575 | |
| 4 | Heater DC | 633574 | |
| 5 | Heater box | | |
| 6 | Burner assembly | 634570 | |
| 7 | Spark electrode | 690813 | |
| 8 | Power control board (Housing included) | 690811 | |
| 9 | Gas valve | 690810 | |
| 10 | Gas pipe | | |
| 11 | Thermistor cable (Connectors included) | 690853 | |
| | Loose connector temp. sense cable (power board side) | 690855 | |
| 12 | Communication cable (Connectors included) | 690854 | |
| | Loose connector comm. cable (power board side) | 690856 | |

LED-control panel



LCD-control panel



N3097 E LED Control Panel – LE1005

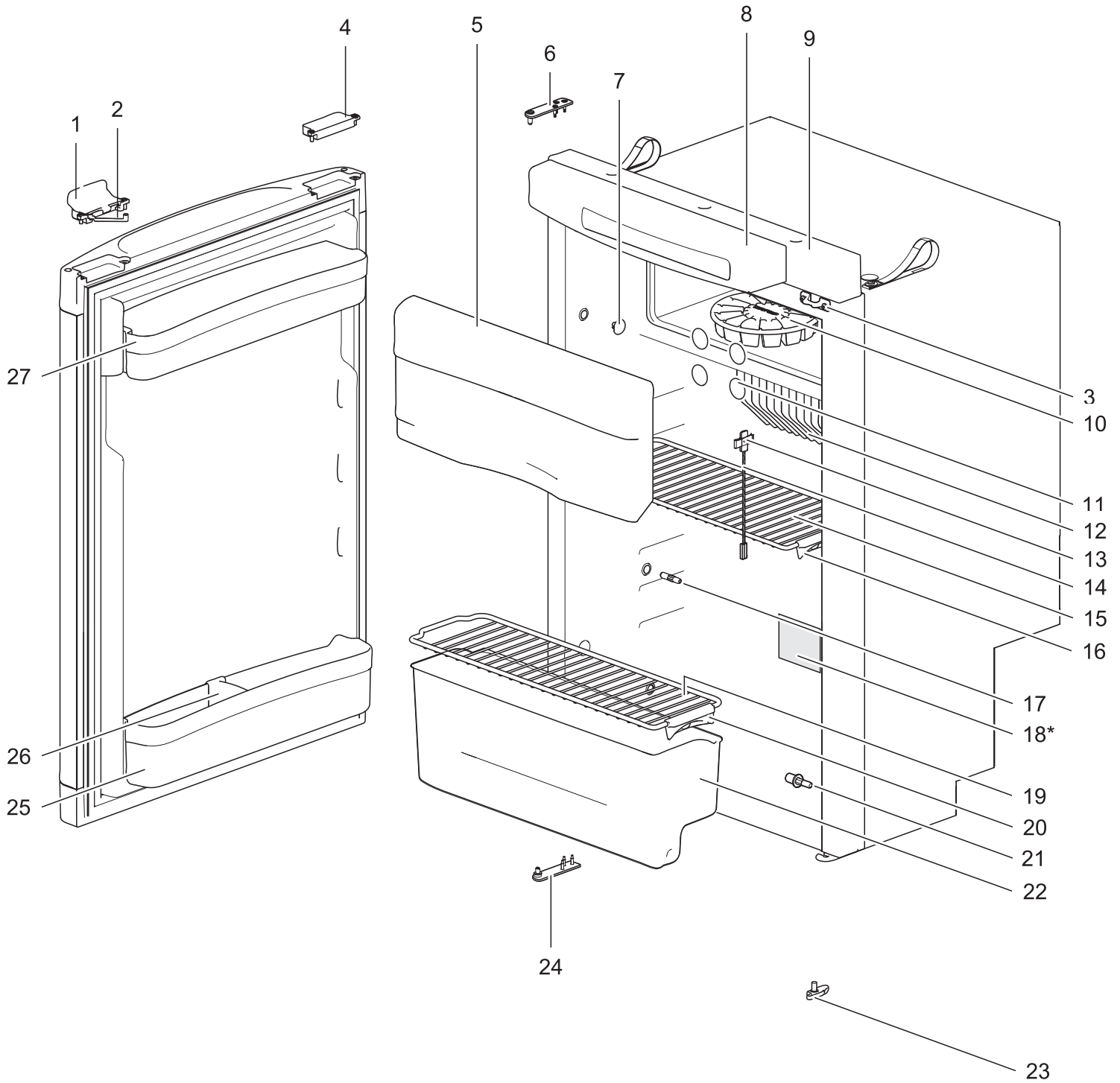
| | Single spare part number | Assembly spare part number | Items included |
|---|--|--|----------------|
| 1 | Technical panel curved | 690825 | 1, 7 |
| 2 | Screws | | |
| 3 | PCB LED DM | 690805 | 3, 7 |
| 4 | Housing curved left (For left hinged fridges) | 69082707 (Light grey) 690827136 (Dark grey) 69082727 (Black) | 4, 7 |
| | Housing curved right (For right hinged fridges) | 69082607 (Light grey) 690826136 (Dark grey) 69082627 (Black) | 4, 7 |
| 5 | Screws | | |
| 6 | Overlay LED | 690808 | 6, 7 |
| 7 | Sticker LED | 690809 | |
| 8 | Battery hatch | | |
| | Battery pack | 69022507 (Light grey) 69022527 (Black) | |

N3097 A LCD Control Panel – LE1005

| | Single spare part number | Assembly spare part number | Items included |
|----|---|--|----------------|
| 1 | Technical panel curved | 690489 | 1, 10 |
| 2 | Screws | | |
| 4 | Housing curved wide left (For left hinged fridges) | 69085107 (Light grey) 690851136 (Dark grey) 69085127 (Black) | 4, 10 |
| | Housing curved wide right (For right hinged fridges) | 69085007 (Light grey) 690850136 (Dark grey) 69085027 (Black) | 4, 10 |
| 5 | Screws | | |
| 9 | PCB LCD DM | 690821 | 9, 10 |
| 10 | Sticker LCD | 690822 | |



N3097 Front



18*

| | | | | | |
|--|------------------------|---------------------------------|-----|----------------|----|
| | | Type | C11 | e4 | CE |
| Model No | | | | | |
| Serial No | | | | | |
| Climate Class | | SN | 881 | 063 | |
| 230 V AC, 50-60 Hz, 150 W, 12 V DC, 1.48 W | | | | | |
| Gross Volume | 109 L | | | | |
| Brutto Volume | 109 L | | | | |
| Volume Brut | 109 L | | | | |
| Brutto Volume | 109 L | | | | |
| Freezer Volume | G30/G31: 28-30/37 mbar | | | | |
| Gefrierfach Volume | 13/P G30/G31: 30 mbar | | | | |
| Volume Congel | | | | | |
| Volume Vreies | | | | | |
| Nett Volume | 102 L | | | | |
| Volume Net | | | | | |
| Netto Volume | | | | | |
| CE 0063 EN3297 | | Part No 634607 | | | |
| ABSORBER NH3 = 104.9 g | | NA2CR04 = 10.1 g | | p max = 21 bar | |
| CFC < HCFC, FREE / FKW, FCKW FREI | | 820019 0020_SerialFridge_EUR | | | |

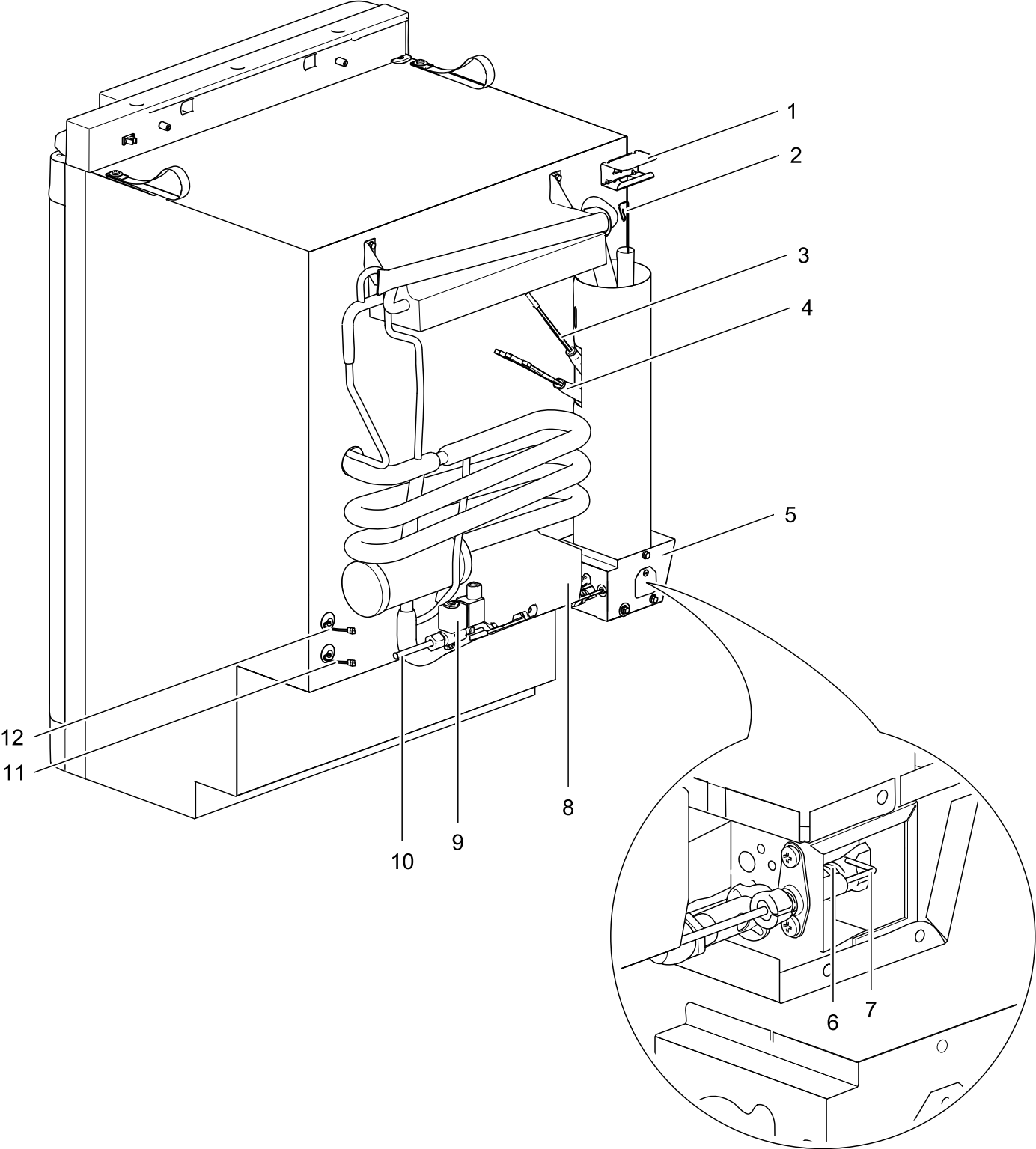
N3097 Front – LE988

| | Single spare part number | Assembly spare part number | Items included |
|----|-----------------------------------|--------------------------------|----------------|
| 1 | Latch | | |
| 2 | Storage strap | 62698607 | |
| 3 | Strike plate | | |
| 4 | Pocket cover | | |
| 5 | Freezer door (Hinges included) | 690852 | |
| 6 | Hinge plate | | |
| 7 | Cap | 62362208 (Contains 2 caps) | |
| 8 | Control panel LED/LCD | | |
| 9 | Mountingbox | | |
| 10 | Ice cube tray | | |
| 11 | Cap freezer bolt | 62447908 (Contains 12 caps) | |
| 12 | Fin | | |
| 13 | Fin clip | 623059 | |
| 14 | Thermistor | 623077 | |
| 15 | Shelf D | 69081408 | |
| 16 | Clip shelf small | 62362608 | |
| 17 | Hinge pin | | |
| 18 | Identification label * | | |
| 19 | Shelf C | 69081508 | |
| 20 | Clip shelf small | 62362608 | |
| 21 | Hinge pin | | |
| 22 | Vegetable bin | 69081608 | |
| 23 | Latch bottom | 62400127 | |
| 24 | Hinge plate | | |
| 25 | Door bin curved wide | 69082408 | |
| 26 | Bottle retainer | 62698912 | |
| 27 | Door bin curved shallow | 69082308 | |

* When requesting information about spare parts for your fridge, be sure to always provide its serial number. You can find it below the barcode on the identification label.



N3090/N3097 Back

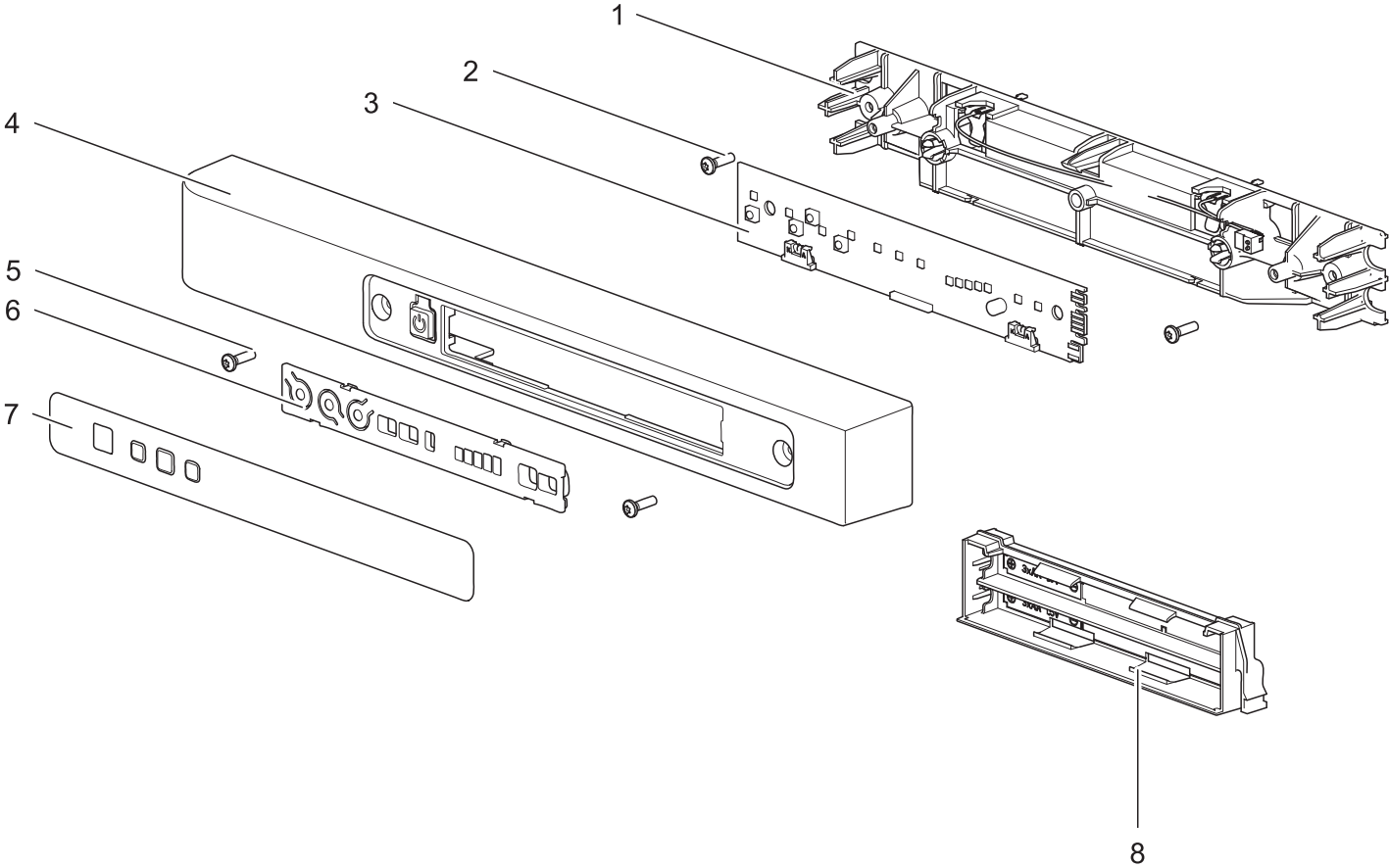


N3097 Back – LE998

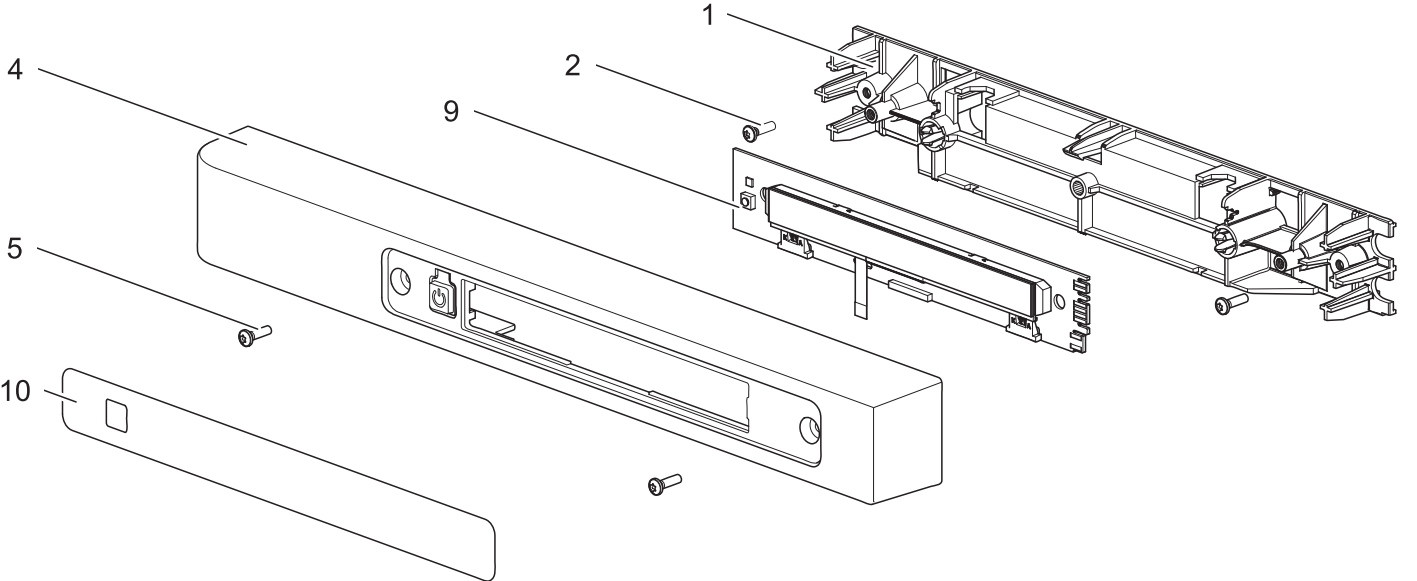
| | Single spare part number | Assembly spare part number | Items included |
|----|---|----------------------------|----------------|
| 1 | Heat cap | 690812 | |
| 2 | Heat diffuser | | |
| 3 | Heater AC | 633575 | |
| 4 | Heater DC | 633574 | |
| 5 | Heater box | | |
| 6 | Burner assembly | 634570 | |
| 7 | Spark electrode | 690813 | |
| 8 | Power control board (Housing included) | 690811 | |
| 9 | Gas valve | 690810 | |
| 10 | Gas pipe | | |
| 11 | Thermistor cable (Connectors included) | 690853 | |
| | Loose connector temp. sense cable (power board side) | 690855 | |
| 12 | Communication cable (Connectors included) | 690854 | |
| | Loose connector comm. cable (power board side) | 690856 | |



LED-control panel



LCD-control panel



N3100 E LED Control Panel – LE1004

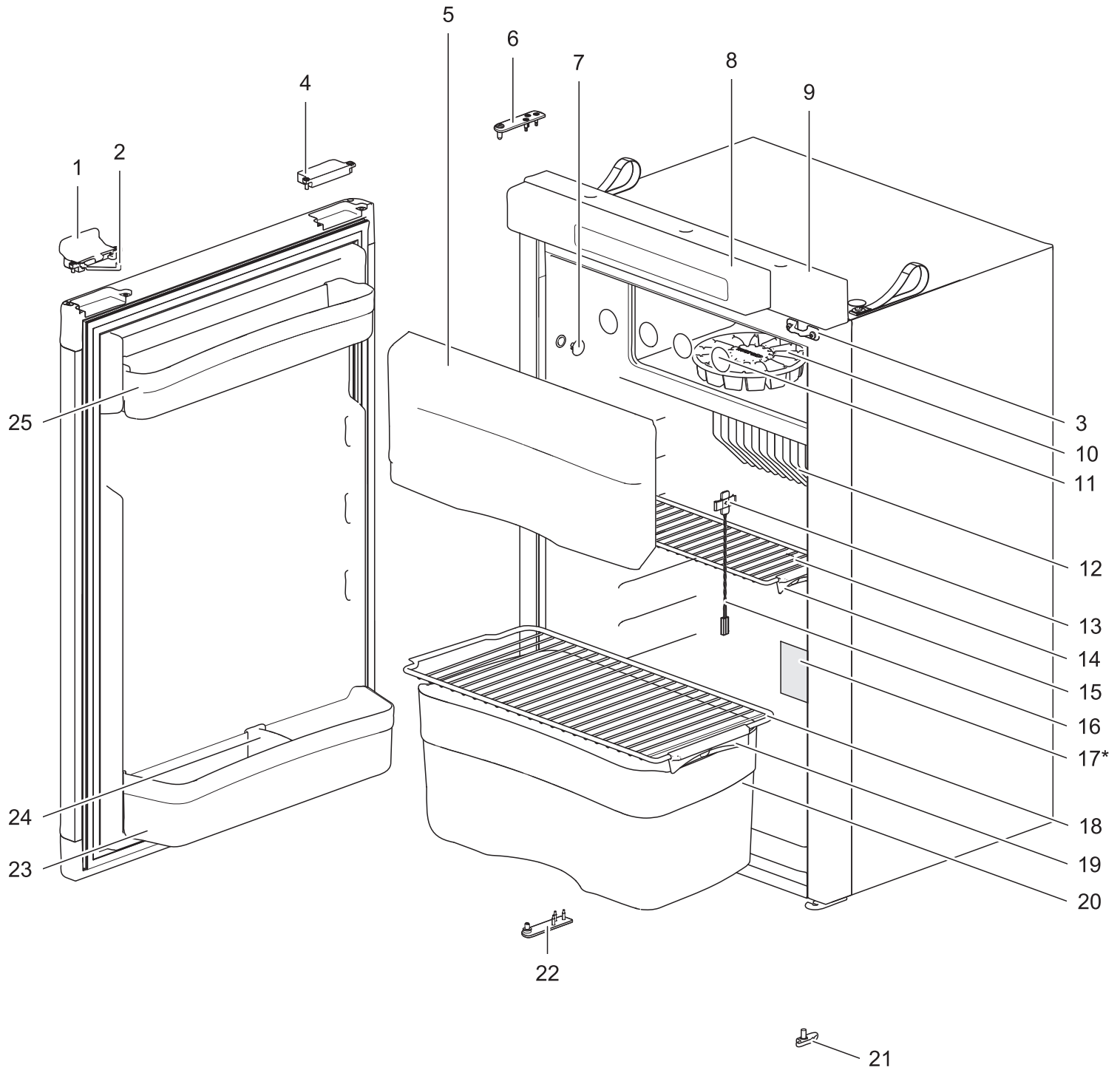
| | Single spare part number | Assembly spare part number | Items included |
|---|---|--|----------------|
| 1 | Technical panel flat | 690806 | 1, 7 |
| 2 | Screws | | |
| 3 | PCB LED DM | 690805 | 3, 7 |
| 4 | Housing flat wide left (For left hinged fridges) | 69082007 (Light grey) 690820136 (Dark grey) 69082027 (Black) | 4, 7 |
| | Housing flat wide right (For right hinged fridges) | 69081907 (Light grey) 690819136 (Dark grey) 69081927 (Black) | 4, 7 |
| 5 | Screws | | |
| 6 | Overlay LED | 690808 | 6, 7 |
| 7 | Sticker LED | 690809 | |
| 8 | Battery hatch | | |
| | Battery pack | 69022507 (Light grey) 69022527 (Black) | |

N3100 A LCD Control Panel – LE1004

| | Single spare part number | Assembly spare part number | Items included |
|----|---|--|----------------|
| 1 | Technical panel flat | 690846 | 1, 10 |
| 2 | Screws | | |
| 4 | Housing flat wide left (For left hinged fridges) | 69084807 (Light grey) 690848136 (Dark grey) 69084827 (Black) | 4, 10 |
| | Housing flat wide right (For right hinged fridges) | 69084707 (Light grey) 690847136 (Dark grey) 69084827 (Black) | 4, 10 |
| 5 | Screws | | |
| 9 | PCB LCD DM | 690821 | 9, 10 |
| 10 | Sticker LCD | 690822 | |



N3100 Front



17*

| | |
|---|--|
| THEFTORD Type C11 e4 CE Model No. _____ Climate Class SN 887 063 Serie No. _____ | |
| 230 V AC, 50-60 Hz, 150 W, 12 V DC, 1.48 W, 130112 | |
| Gross Volume Brutto Volume Volume Brut Brutto Volume | 108 L 27.4 W 20 1/2 in 20 1/2 in |
| Freezer Volume Gefrierfach Volume Volume Congele Volume Vreies | G30/G31-28-30/37 mbar I3B/P G30/G31: 30 mbar |
| Net Volume Volume Net Netto Volume | 102 L  E013N100611 |
| CE 0063 EN3297 | Part No. 634607 |
| ABSORBER NH3 = 104.8 g NA2CR04 = 10.1 g p max = 21 bar | |
| CFC < HCFC, FREE / FKW, FCKW FREI | |
| 820019 0020_SerialFridge_EUR | |

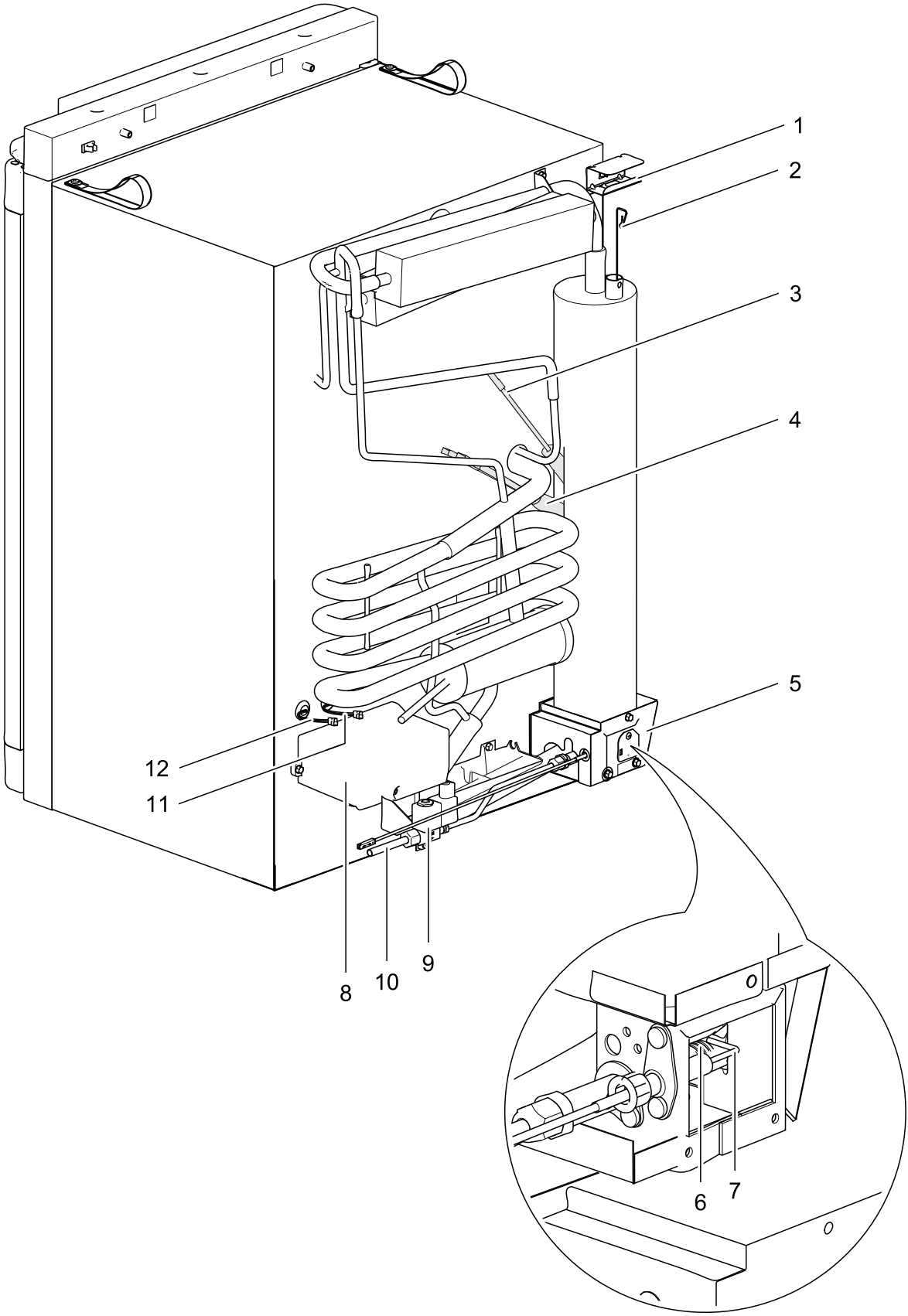
N3100 Front – LE988

| | Single spare part number | Assembly spare part number | Items included |
|----|-----------------------------------|--------------------------------|----------------|
| 1 | Latch | | |
| 2 | Storage strap | 62698607 | |
| 3 | Strike plate | | |
| 4 | Pocket cover | | |
| 5 | Freezer door (Hinges included) | 690852 | |
| 6 | Hinge plate | | |
| 7 | Cap | 62362208 (Contains 2 caps) | |
| 8 | Control panel LED/LCD | | |
| 9 | Mountingbox | | |
| 10 | Ice cube tray | | |
| 11 | Cap freezer bolt | 62447908 (Contains 12 caps) | |
| 12 | Fin | | |
| 13 | Fin clip | 623059 | |
| 14 | Thermistor | 623077 | |
| 15 | Shelf C | 69081508 | |
| 16 | Clip shelf small | 62362608 | |
| 17 | Identification label * | | |
| 18 | Shelf F | 69082808 | |
| 19 | Clip shelf large | 62362508 | |
| 20 | Vegetable bin | 69082908 | |
| 21 | Latch bottom | 62400127 | |
| 22 | Hinge plate | | |
| 23 | Door bin flat wide | 69081808 | |
| 24 | Bottle retainer | 62698912 | |
| 25 | Door bin flat shallow | 69081708 | |

* When requesting information about spare parts for your fridge, be sure to always provide its serial number. You can find it below the barcode on the identification label.



N3100/N3104 Back

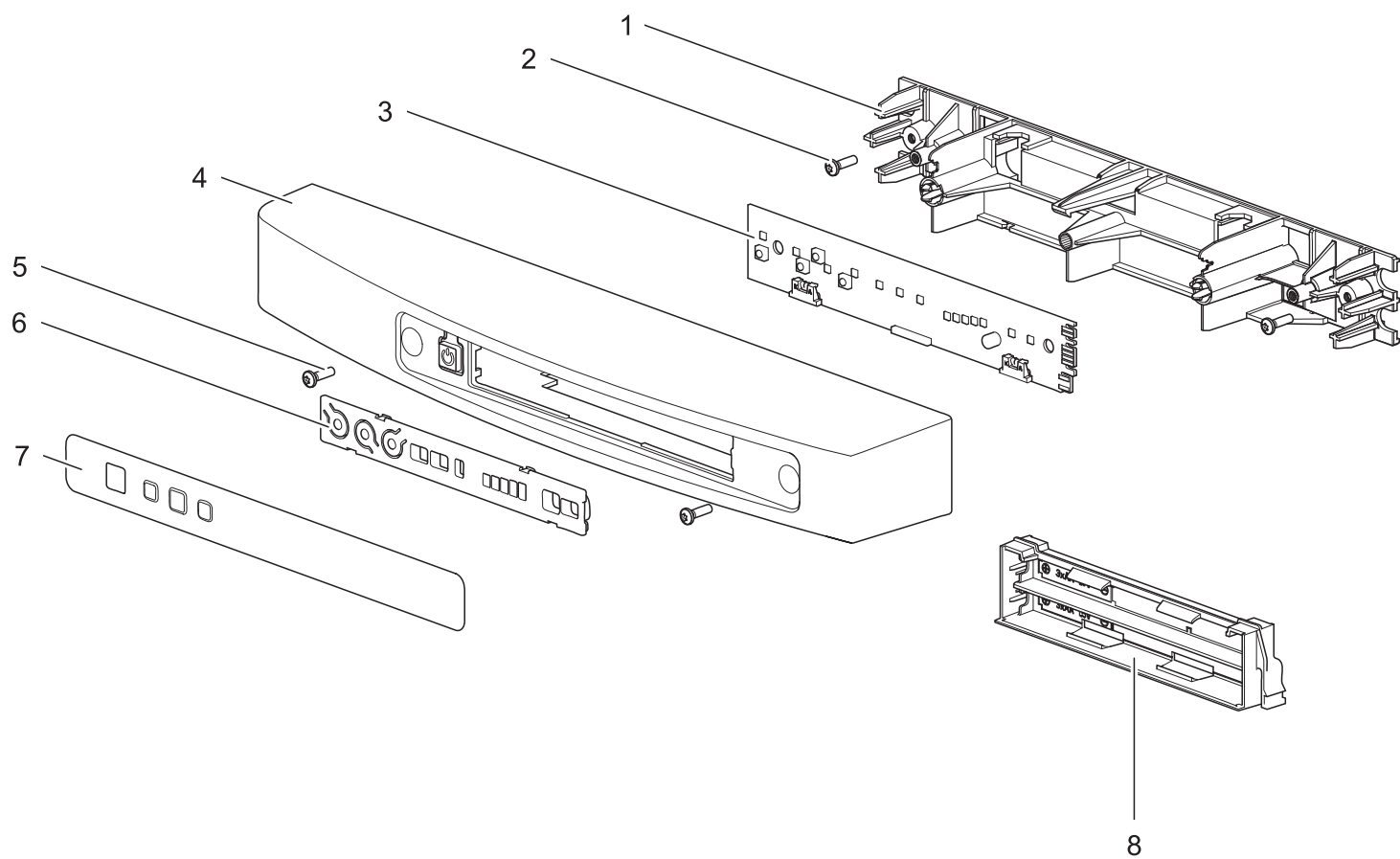


N3100 Back – LE999

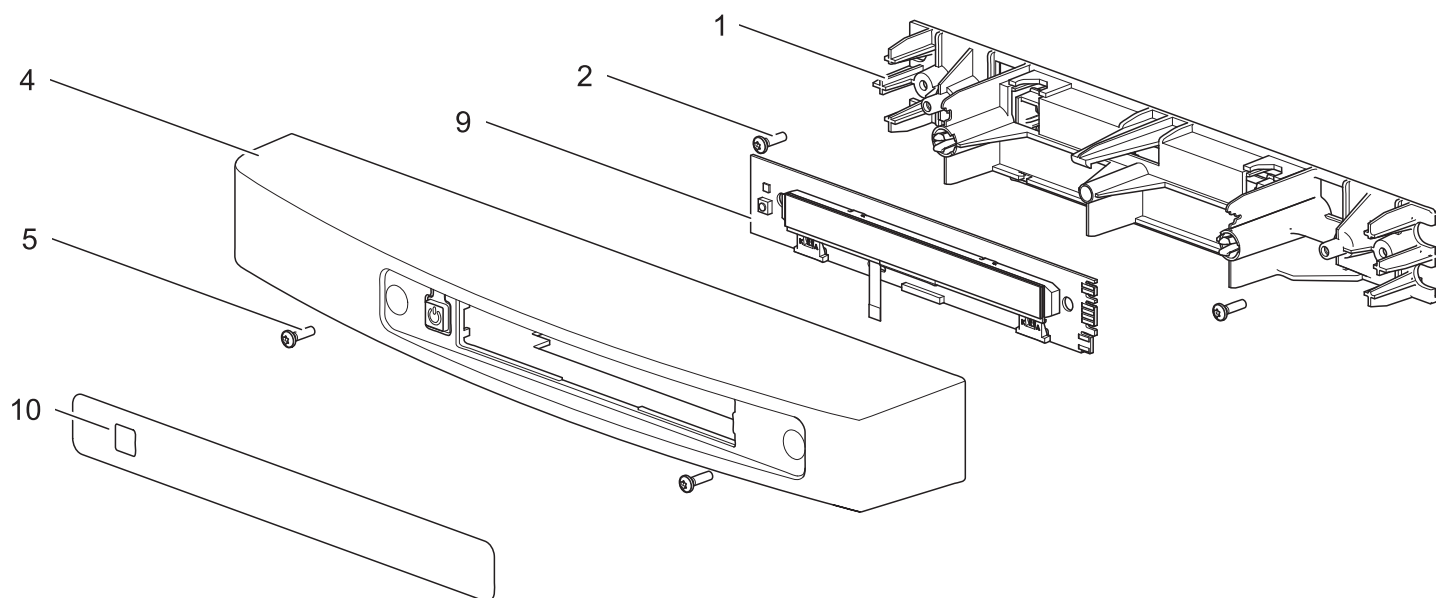
| | Single spare part number | Assembly spare part number | Items included |
|----|---|----------------------------|----------------|
| 1 | Heat cap | 690812 | |
| 2 | Heat diffuser | | |
| 3 | Heater AC | 633575 | |
| 4 | Heater DC | 633574 | |
| 5 | Heater box | | |
| 6 | Burner assembly | 623019 | |
| 7 | Spark electrode | 690830 | |
| 8 | Power control board (Housing included) | 690811 | |
| 9 | Gas valve | 690810 | |
| 10 | Gas pipe | | |
| 11 | Thermistor cable (Connectors included) | 690853 | |
| | Loose connector temp. sense cable (power board side) | 690855 | |
| 12 | Communication cable (Connectors included) | 690854 | |
| | Loose connector comm. cable (power board side) | 690856 | |



LED-control panel



LCD-control panel



N3104 E LED Control Panel – LE1005

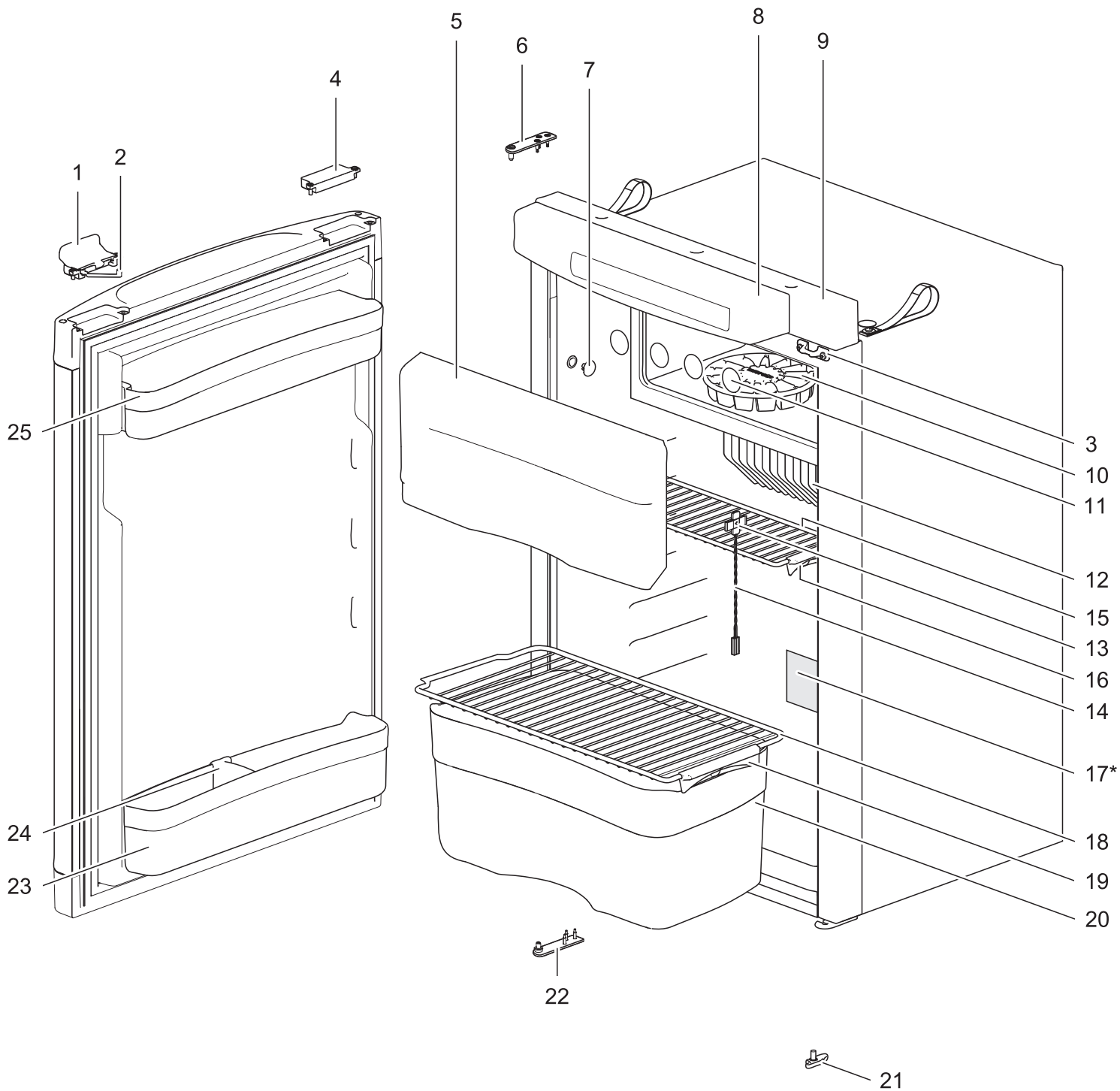
| | Single spare part number | Assembly spare part number | Items included |
|---|--|--|----------------|
| 1 | Technical panel curved | 690825 | 1, 7 |
| 2 | Screws | | |
| 3 | PCB LED DM | 690805 | 3, 7 |
| 4 | Housing curved left (For left hinged fridges) | 69082707 (Light grey) 690827136 (Dark grey) 69082727 (Black) | 4, 7 |
| | Housing curved right (For right hinged fridges) | 69082607 (Light grey) 690826136 (Dark grey) 69082627 (Black) | 4, 7 |
| 5 | Screws | | |
| 6 | Overlay LED | 690808 | 6, 7 |
| 7 | Sticker LED | 690809 | |
| 8 | Battery hatch | | |
| | Battery pack | 69022507 (Light grey) 69022527 (Black) | |

N3104 A LCD Control Panel – LE1005

| | Single spare part number | Assembly spare part number | Items included |
|----|---|--|----------------|
| 1 | Technical panel curved | 690849 | 1, 10 |
| 2 | Screws | | |
| 4 | Housing curved wide left (For left hinged fridges) | 69085107 (Light grey) 690851136 (Dark grey) 69085127 (Black) | 4, 10 |
| | Housing curved wide right (For right hinged fridges) | 69085007 (Light grey) 690850136 (Dark grey) 69085027 (Black) | 4, 10 |
| 5 | Screws | | |
| 9 | PCB LCD DM | 690821 | 9, 10 |
| 10 | Sticker LCD | 690822 | |



N3104 Front



17*

| | |
|---|--|
| THE FORD Type C11 e4 CE Model No. _____ Climate Class SN 881 063 Serie No. _____ | |
| 230 V AC ~ 50/60 Hz 1450 W 12 V DC 1 148 W 20 130112 | |
| Gross Volume Brutto Volume Volume Brut Brutto Volume | 108 L 27 20 20 |
| Freezer Volume Gefrierfach Volume Volume Congele Volume Vreies | G30/G31-28-30/37 mbar I3B/P G30/G31: 30 mbar |
| Net Volume Volume Net Netto Volume | 102 L  E013N100611 |
| CE 0063 EN3297 | Part No. 634607 |
| ABSORBER NH3 = 104.8 g NA2CR04 = 10.1 g p max = 21 bar | |
| CFC < HCFC, FREE / FKW, FCKW FREI | |
| 820019 0020_SerialFridge_EUR | |

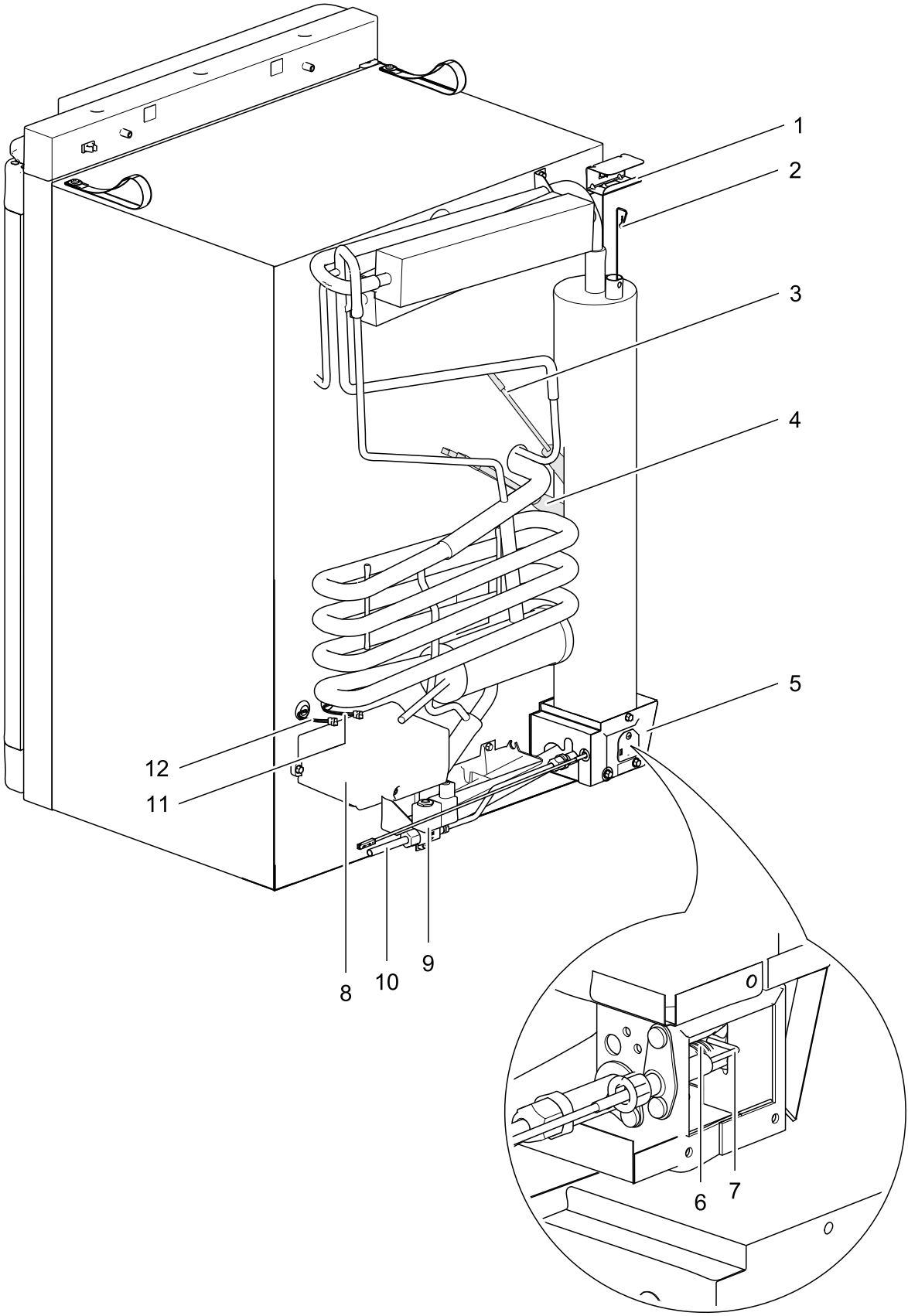
N3104 US Front – LE1016

| | | Single spare part number | Assembly spare part number | Items included |
|----|-----------------------------------|--------------------------------|----------------------------|----------------|
| 1 | Latch | | 62698507 (Light grey) | |
| 2 | Storage strap | 62698607 | 626985136 (Dark grey) | 1, 2, 3 |
| 3 | Strike plate | | 62698527 (Black) | |
| 4 | Pocket cover | | | |
| 5 | Freezer door (Hinges included) | 690852 | | |
| 6 | Hinge plate | | | |
| 7 | Cap | 62362208 (Contains 2 caps) | | |
| 8 | Control panel LCD | | | |
| 9 | Mountingbox | | | |
| 10 | Ice cube tray | | | |
| 11 | Cap freezer bolt | 62447908 (contains 12 caps) | | |
| 12 | Fin | | | |
| 13 | Fin clip | 623059 | | |
| 14 | Thermistor | 623077 | | |
| 15 | Shelf C | 69081508 | | |
| 16 | Clip shelf small | 62362608 | | |
| 17 | Identification label * | | | |
| 18 | Shelf F | 69082808 | | |
| 19 | Clip shelf large | 62362508 | | |
| 20 | Vegetable bin | 69082908 | | |
| 21 | Latch bottom | 62400127 | | |
| 22 | Hinge plate | | | |
| 23 | Door bin curved wide | 69082408 | | |
| 24 | Bottle retainer | 62698912 | | |
| 25 | Door bin curved shallow | 69082308 | | |

* When requesting information about spare parts for your fridge, be sure to always provide its serial number. You can find it below the barcode on the identification label.



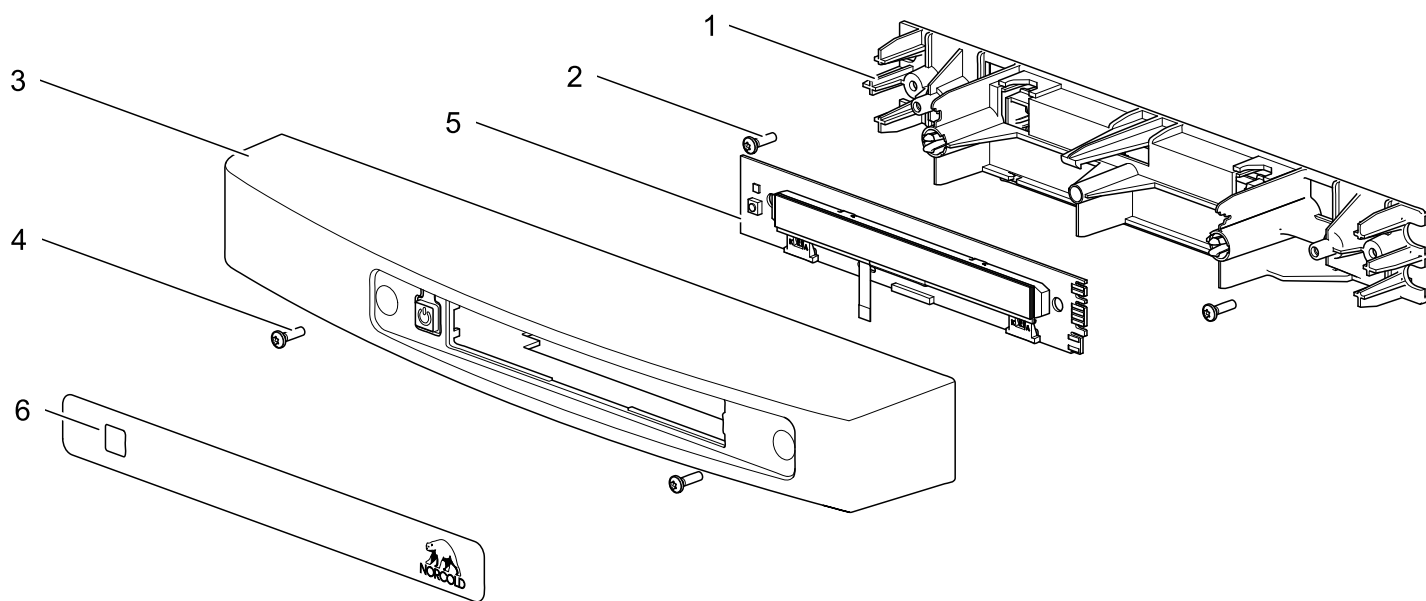
N3100/N3104 Back



N3104 Back – LE999

| | Single spare part number | Assembly spare part number | Items included |
|----|---|----------------------------|----------------|
| 1 | Heat cap | 690812 | |
| 2 | Heat diffuser | | |
| 3 | Heater AC | 633575 | |
| 4 | Heater DC | 633574 | |
| 5 | Heater box | | |
| 6 | Burner assembly | 623019 | |
| 7 | Spark electrode | 690830 | |
| 8 | Power control board (Housing included) | 690811 | |
| 9 | Gas valve | 690810 | |
| 10 | Gas pipe | | |
| 11 | Thermistor cable (Connectors included) | 690853 | |
| | Loose connector temp. sense cable (power board side) | 690855 | |
| 12 | Communication cable (Connectors included) | 690854 | |
| | Loose connector comm. cable (power board side) | 690856 | |

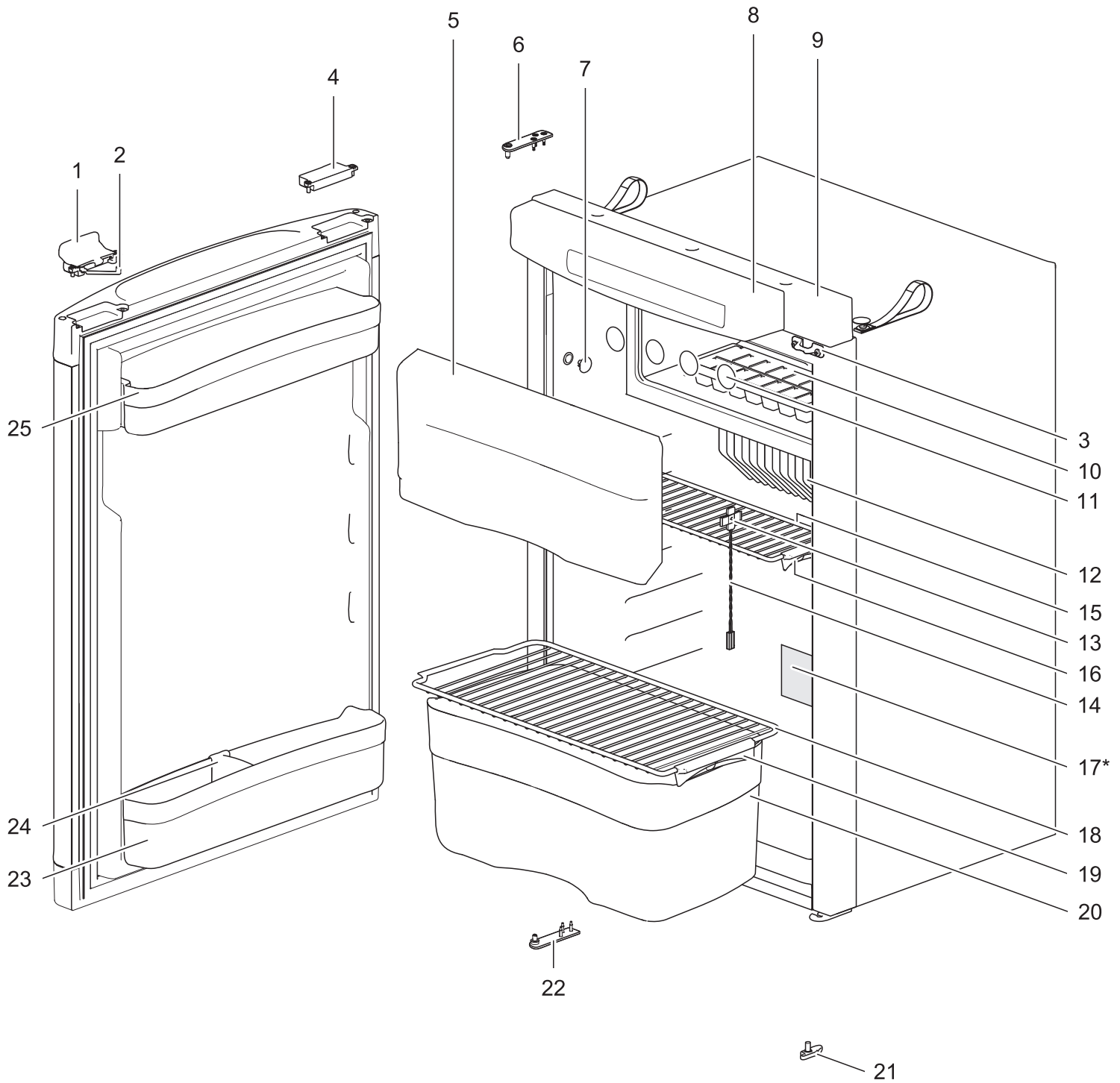
N3104-U/N3150-U LCD-control panel



N3104 US LCD Control Panel – LE1020

| | Single spare part number | Assembly spare part number | Items included |
|---|--|----------------------------|----------------|
| 1 | Technical panel curved | 690869 | 1, 6 |
| 2 | Screws | | |
| 3 | Housing curved left (For left hinged fridges) | 69087027 (Black) | 3, 6 |
| | Housing curved right (For right hinged fridges) | 69087127 (Black) | 3, 6 |
| 4 | Screws | | |
| 5 | PCB LCD DM | 690872 | 5, 6 |
| 6 | Sticker LCD | 690873 | |

N3104-U Front



17*

| | | |
|---|------------------|---------------------------------|
| THE FORD Model No. _____ Type C11 Serie No. _____ Climate Class SN | | e4 887 063 |
| 230 V AC, 50-60 Hz, 150 W, 12 V DC, 1.48 W | | |
| Gross Volume | 108 L | 27.4 W |
| Brutto Volume | | 20 W |
| Brutto Volume | | |
| Freezer Volume | | G30/G31: 28-30/37 mbar |
| Gefrierfach Volume | | 13/P G30/G31: 30 mbar |
| Volume Congele | | |
| Volume Vreies | | |
| Netto Volume | 102 L | |
| Volume Net | | |
| Netto Volume | | |
| CE 0063 EN3297 | Part No. 634607 | |
| ABSORBER NH3 = 104.8 g | NA2CR04 = 10.1 g | p max = 21 bar |
| CFC < HCFC, FREE / FKW, FCKW FREI | | 820019 0020_SerialFridge_EUR |

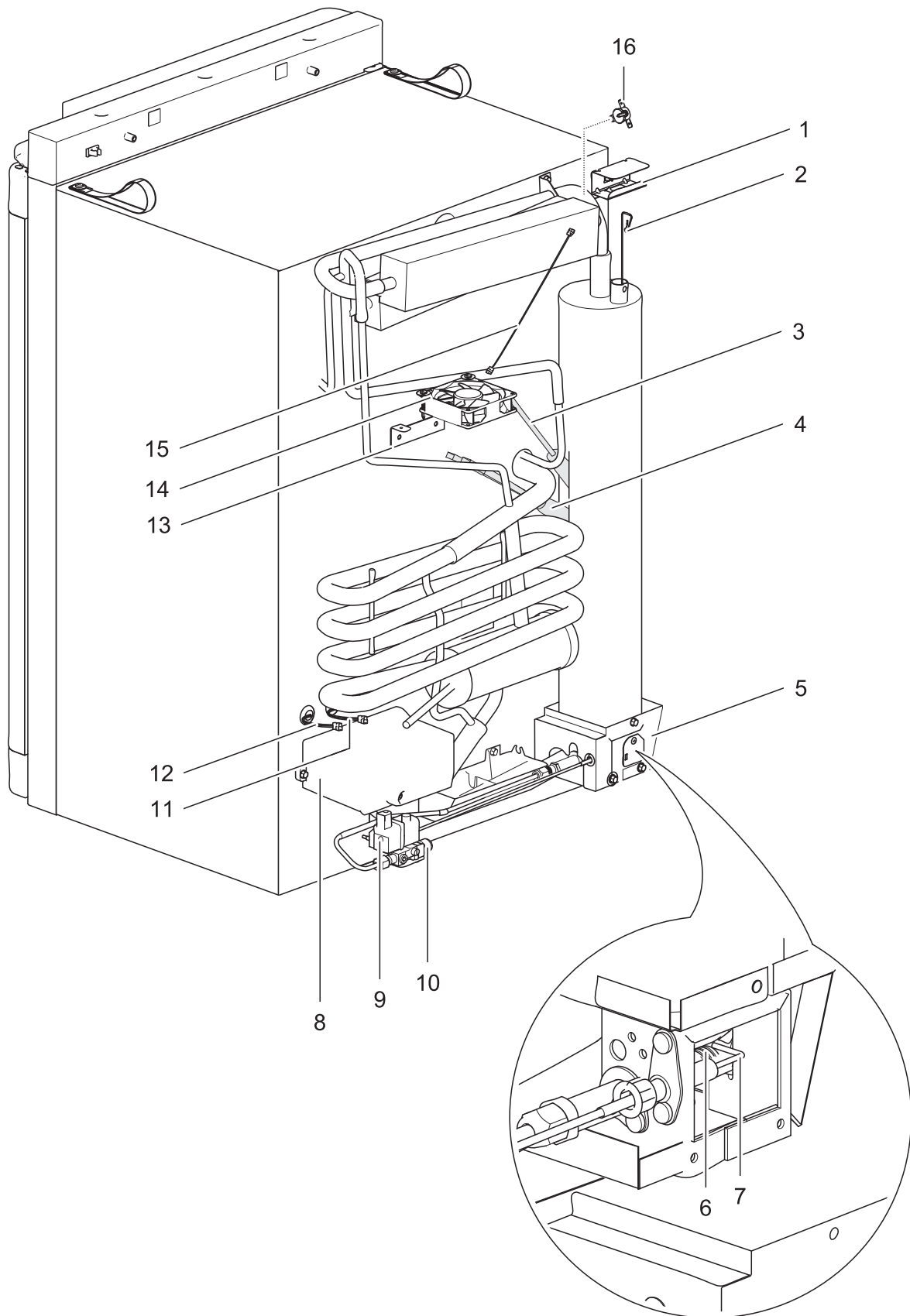
N3104 US Front – LE1016

| | Single spare part number | Assembly spare part number | Items included |
|----|-----------------------------------|--------------------------------|----------------|
| 1 | Latch | | |
| 2 | Storage strap | 62698607 | |
| 3 | Strike plate | | |
| 4 | Pocket cover | | |
| 5 | Freezer door (Hinges included) | 690852 | |
| 6 | Hinge plate | | |
| 7 | Cap | 62362208 (Contains 2 caps) | |
| 8 | Control panel LCD | | |
| 9 | Mountingbox | | |
| 10 | Ice cube tray | | |
| 11 | Cap freezer bolt | 62447908 (contains 12 caps) | |
| 12 | Fin | | |
| 13 | Fin clip | 623059 | |
| 14 | Thermistor | 623077 | |
| 15 | Shelf C | 69086708 | |
| 16 | Clip shelf small | 62362608 | |
| 17 | Identification label * | | |
| 18 | Shelf F | 69086808 | |
| 19 | Clip shelf large | 62362508 | |
| 20 | Vegetable bin | 69082908 | |
| 21 | Latch bottom | 62400127 | |
| 22 | Hinge plate | | |
| 23 | Door bin curved wide | 69082408 | |
| 24 | Bottle retainer | 62698912 | |
| 25 | Door bin curved shallow | 69082308 | |

* When requesting information about spare parts for your fridge, be sure to always provide its serial number. You can find it below the barcode on the identification label.



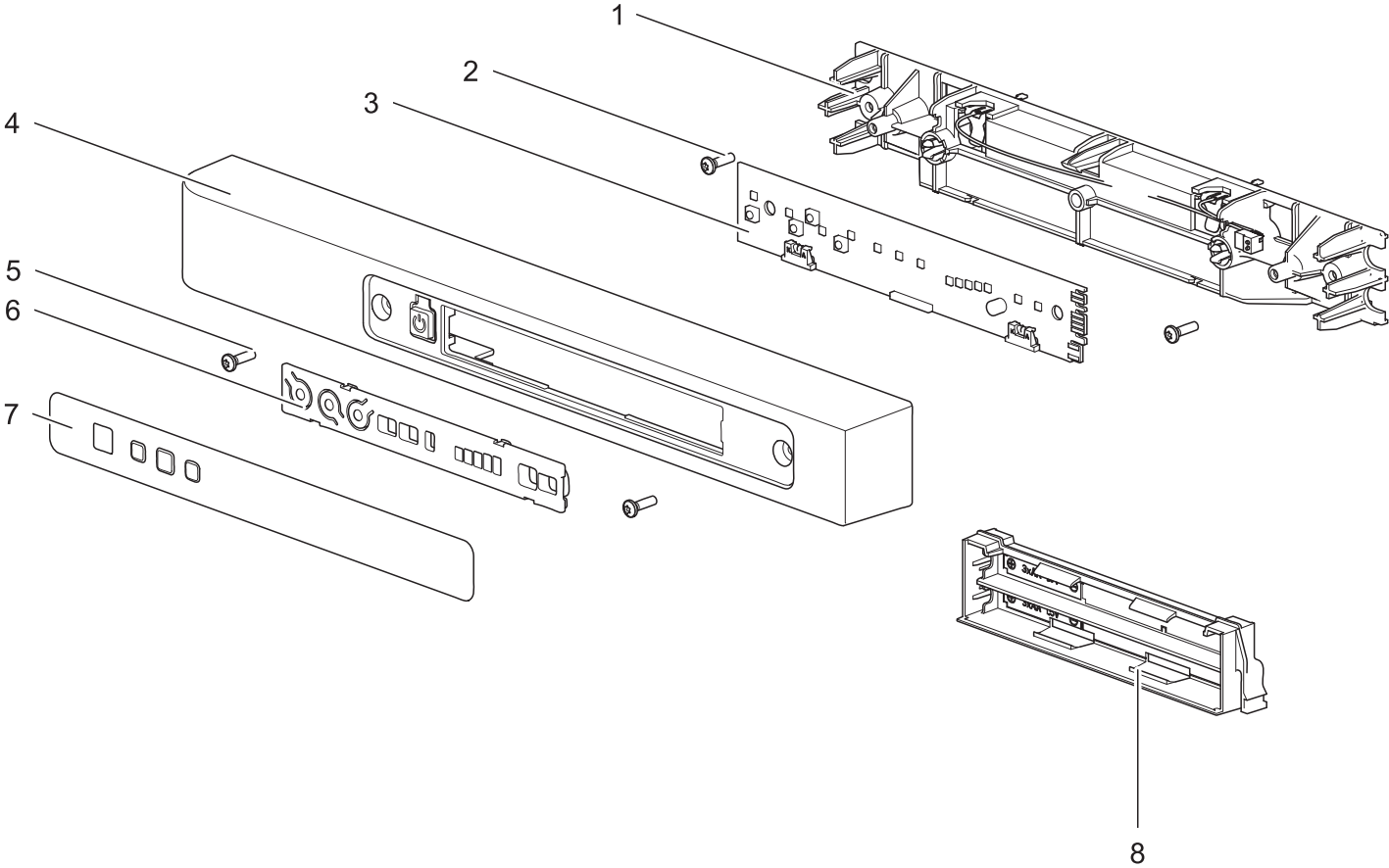
N3104-U Back



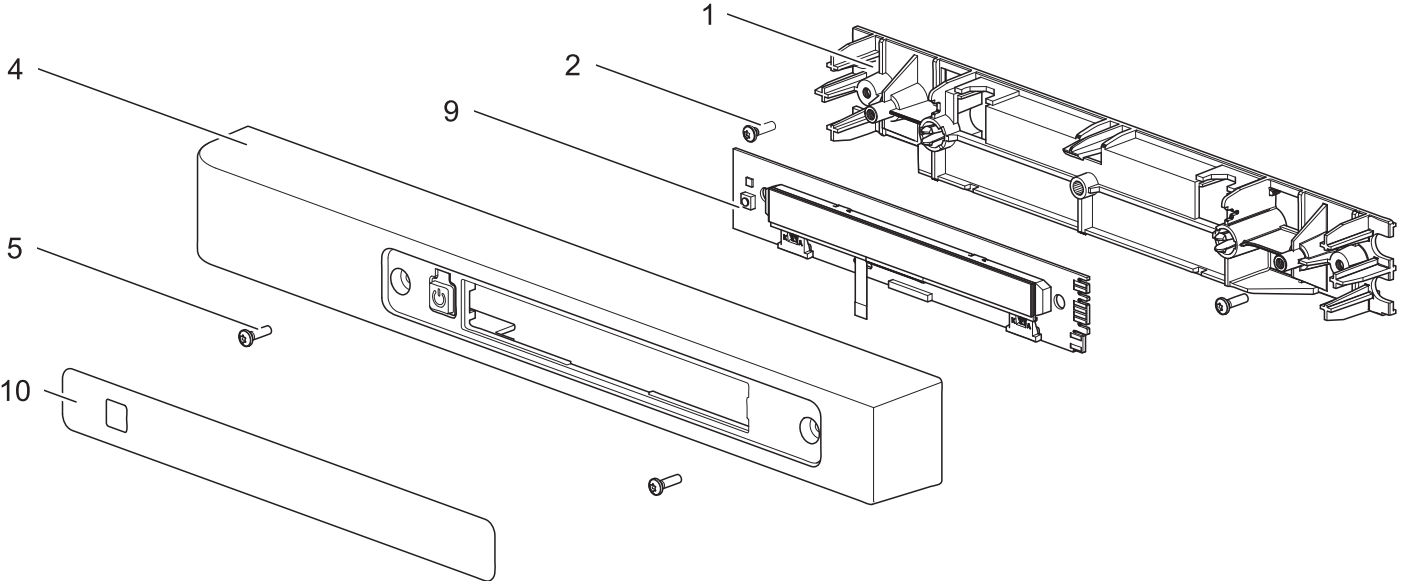
N3104 US Back – LE1018

| | Single spare part number | Assembly spare part number | Items included |
|----|---|----------------------------|----------------|
| 1 | Heat cap | 690812 | |
| 2 | Heat diffuser | | |
| 3 | Heater AC | 690859 | |
| 4 | Heater DC | 690860 | |
| 5 | Heater box | | |
| 6 | Burner assembly | 690861 | |
| 7 | Spark electrode | 690862 | |
| 8 | Power control board (Housing included) | 690863 | |
| 9 | Connector gas valve | | |
| 10 | Gas valve | 690864 | |
| 11 | Thermistor cable (Connectors included) | 690853 | |
| | Loose connector temp. sense cable (power board side) | 690855 | |
| 12 | Communication cable (Connectors included) | 690854 | |
| | Loose connector comm. cable (power board side) | 690856 | |
| 13 | Bracket fan | | |
| 14 | Fan | 690865 | |
| 15 | Fan extension cable | | |
| 16 | Thermostat dc fan | 690866 | |

LED-control panel



LCD-control panel



N3108 E LED Control Panel – LE1004

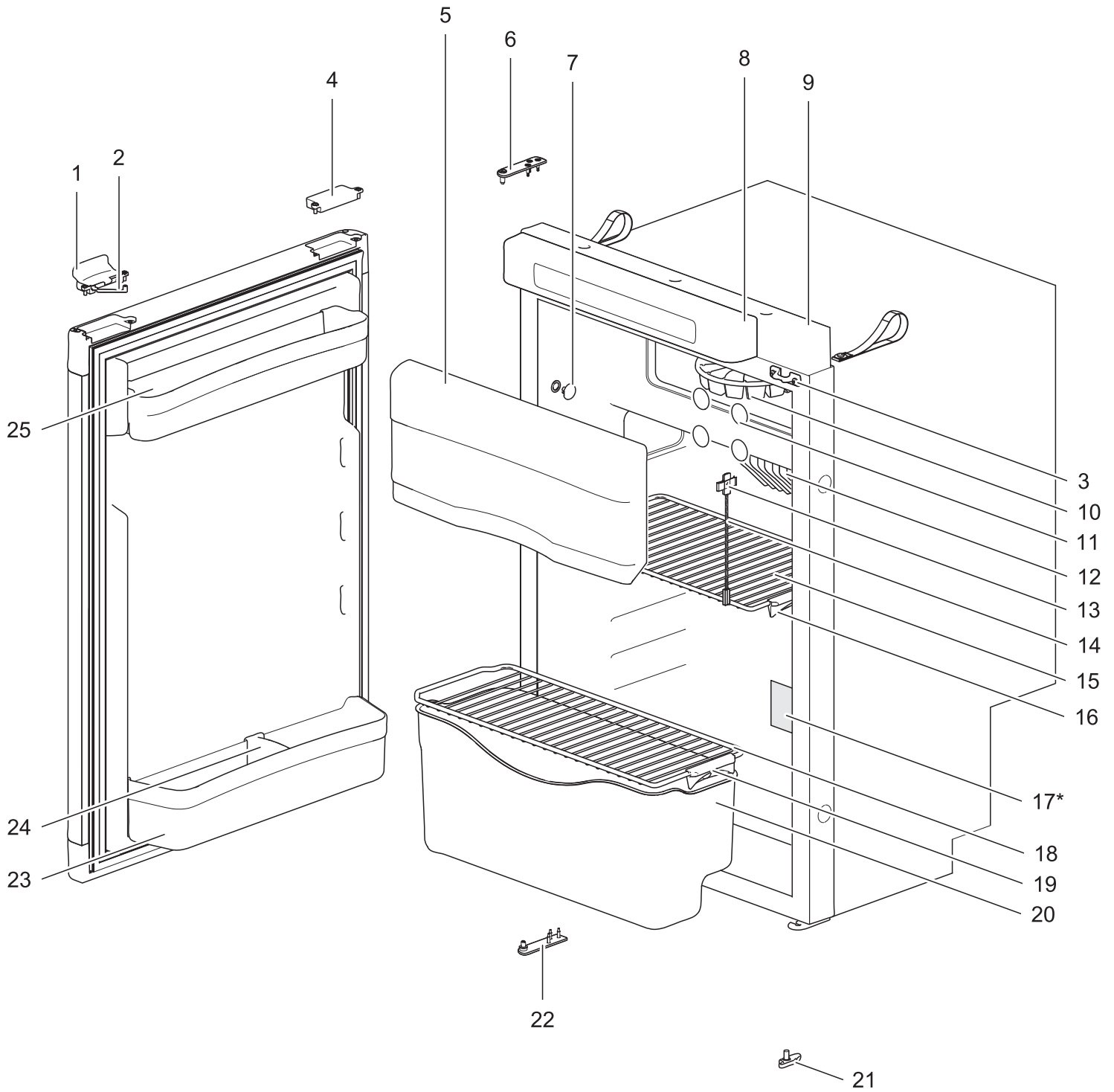
| | Single spare part number | Assembly spare part number | Items included |
|---|---|--|----------------|
| 1 | Technical panel flat | 690806 | 1, 7 |
| 2 | Screws | | |
| 3 | PCB LED DM | 690805 | 3, 7 |
| 4 | Housing flat wide left (For left hinged fridges) | 69082007 (Light grey) 690820136 (Dark grey) 69082027 (Black) | 4, 7 |
| | Housing flat wide right (For right hinged fridges) | 69081907 (Light grey) 690819136 (Dark grey) 69081927 (Black) | 4, 7 |
| 5 | Screws | | |
| 6 | Overlay LED | 690808 | 6, 7 |
| 7 | Sticker LED | 690809 | |
| 8 | Battery hatch | | |
| | Battery pack | 69022507 (Light grey) 69022527 (Black) | |

N3108 A LCD Control Panel – LE1004

| | Single spare part number | Assembly spare part number | Items included |
|----|---|--|----------------|
| 1 | Technical panel flat | 690846 | 1, 10 |
| 2 | Screws | | |
| 4 | Housing flat wide left (For left hinged fridges) | 69084807 (Light grey) 690848136 (Dark grey) 69084827 (Black) | 4, 10 |
| | Housing flat wide right (For right hinged fridges) | 69084707 (Light grey) 690847136 (Dark grey) 69084827 (Black) | 4, 10 |
| 5 | Screws | | |
| 9 | PCB LCD DM | 690821 | 9, 10 |
| 10 | Sticker LCD | 690822 | |



N3108 Front



17*

| | |
|--|--|
| THEFTORD Model No Serie No Type C11 e4 Climate Class SN | |
| 230 V AC, 50 Hz, 1450 W, 12 V DC, 148 W 130112 | |
| Gross Volume Brutto Volume Volume Brut Brutto Volume | 108 L 274 mm 20 mm |
| Freezer Volume Gefrierfach Volume Volume Congele Volume Vreies | G30/G31: 28-30/37 mbar I3B/P G30/G31: 30 mbar |
| Net Volume Volume Net Netto Volume | 102 L E013N100611 |
| CE 0063 EN3297 | Part No 634807 |
| ABSORBER NH3 = 104,8 g NA2CR04 = 10,1 g p max = 21 bar | |
| CFC < HCFC, FREE / FKW, FCKW FREI | |
| 820019 0020_SerialFridge_EUR | |

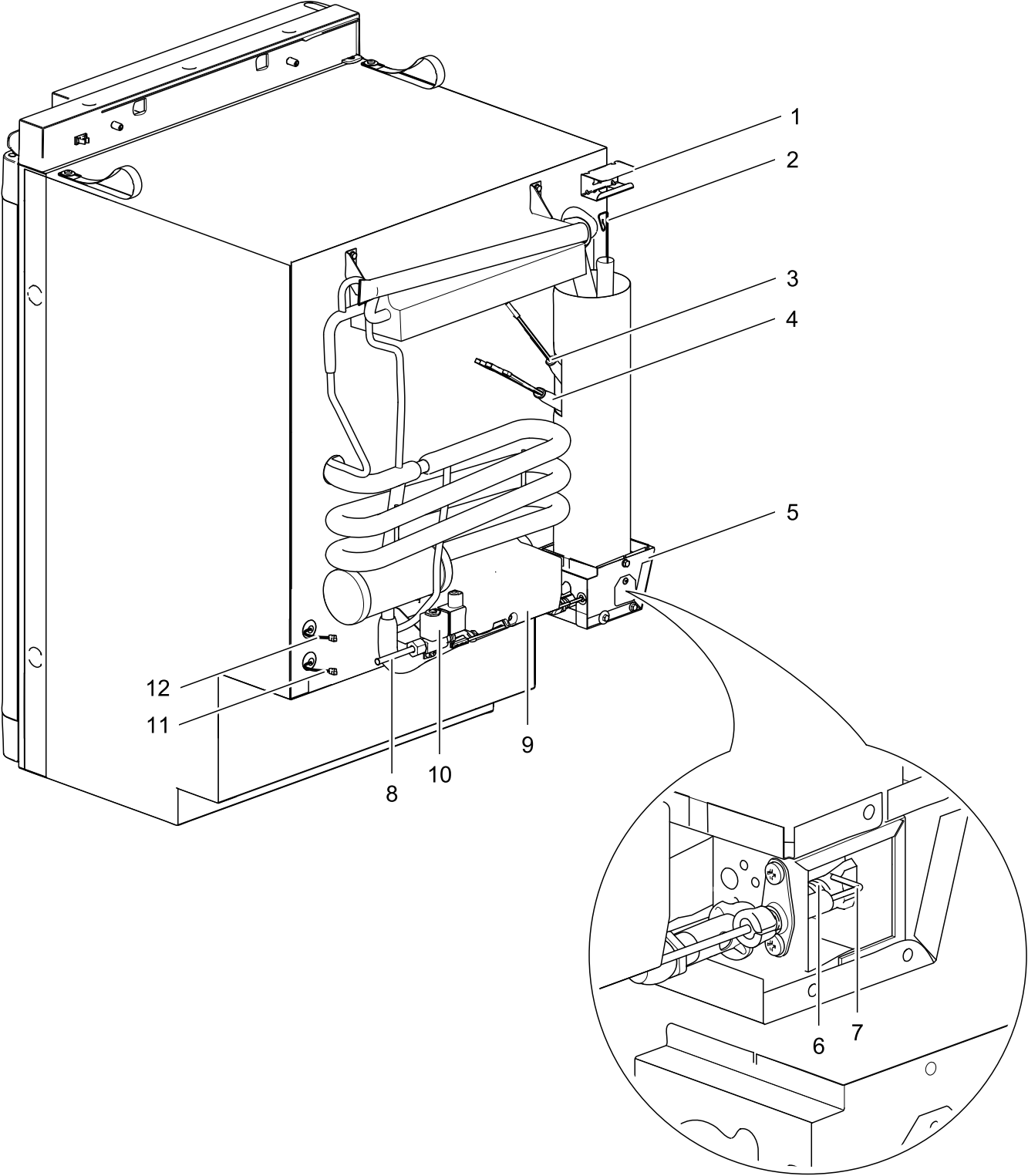
N3108 Front – LE981

| | Single spare part number | Assembly spare part number | Items included |
|----|-----------------------------------|--------------------------------|----------------|
| 1 | Latch | | |
| 2 | Storage strap | 62698607 | |
| 3 | Strike plate | | |
| 4 | Pocket cover | | |
| 5 | Freezer door (Hinges included) | 690852 | |
| 6 | Hinge plate | | |
| 7 | Cap | 62362208 (Contains 2 caps) | |
| 8 | Control panel LED/LCD | | |
| 9 | Mountingbox | | |
| 10 | Ice cube tray | | |
| 11 | Cap freezer bolt | 62447908 (Contains 12 caps) | |
| 12 | Fin | | |
| 13 | Fin clip | 623059 | |
| 14 | Thermistor | 623077 | |
| 15 | Shelf E | 69083108 | |
| 16 | Clip shelf large | 62362508 | |
| 17 | Identification label * | | |
| 18 | Shelf L | 69083208 | |
| 19 | Clip shelf small | 62362608 | |
| 20 | Vegetable bin | 69083308 | |
| 21 | Latch bottom | 62400027 | |
| 22 | Hinge plate | | |
| 23 | Door bin flat wide | 69081808 | |
| 24 | Bottle retainer | 62698912 | |
| 25 | Door bin flat shallow | 69081708 | |

- * When requesting information about spare parts for your fridge, be sure to always provide its serial number. You can find it below the barcode on the identification label.



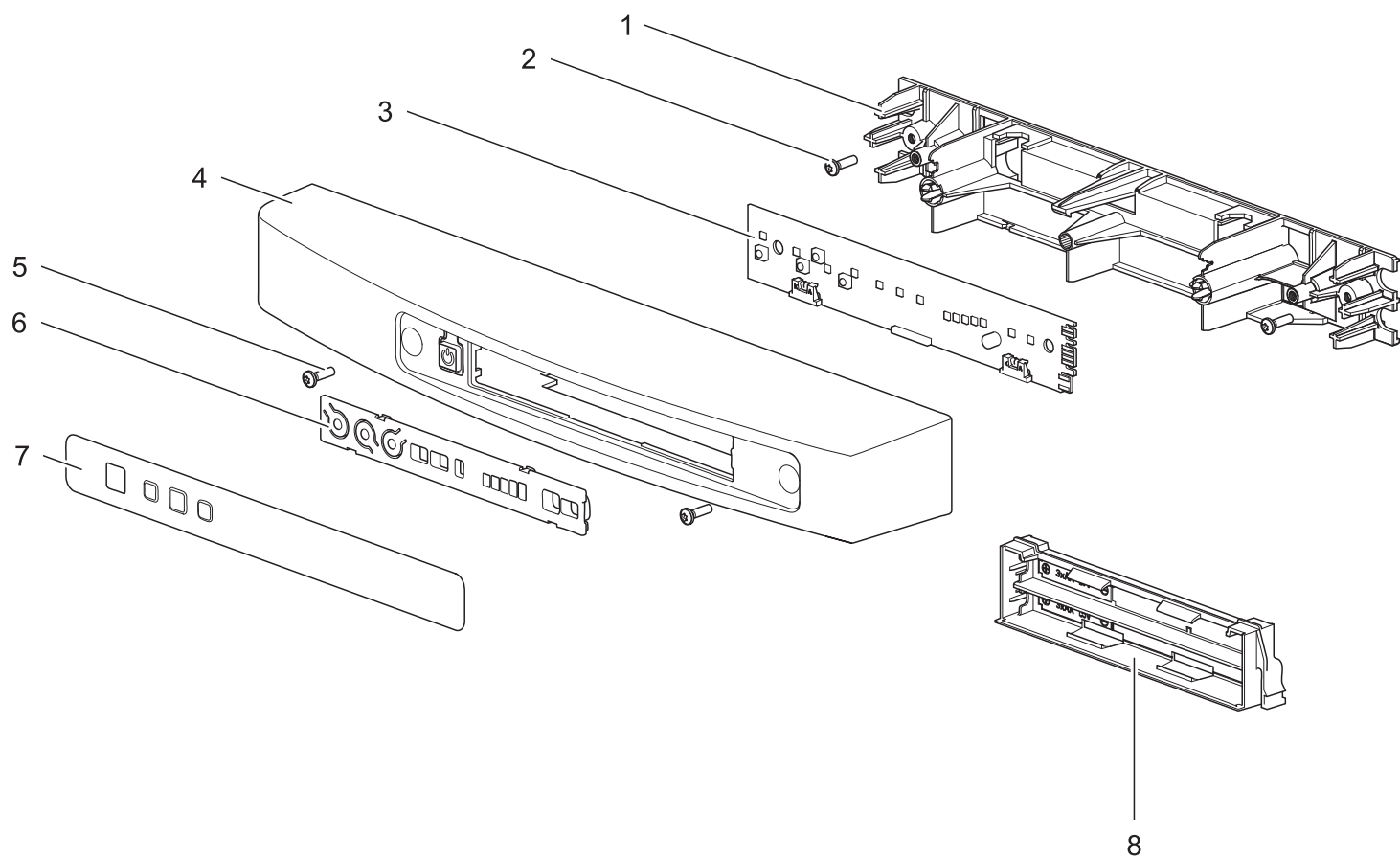
N3108/N3112/N3115 Back



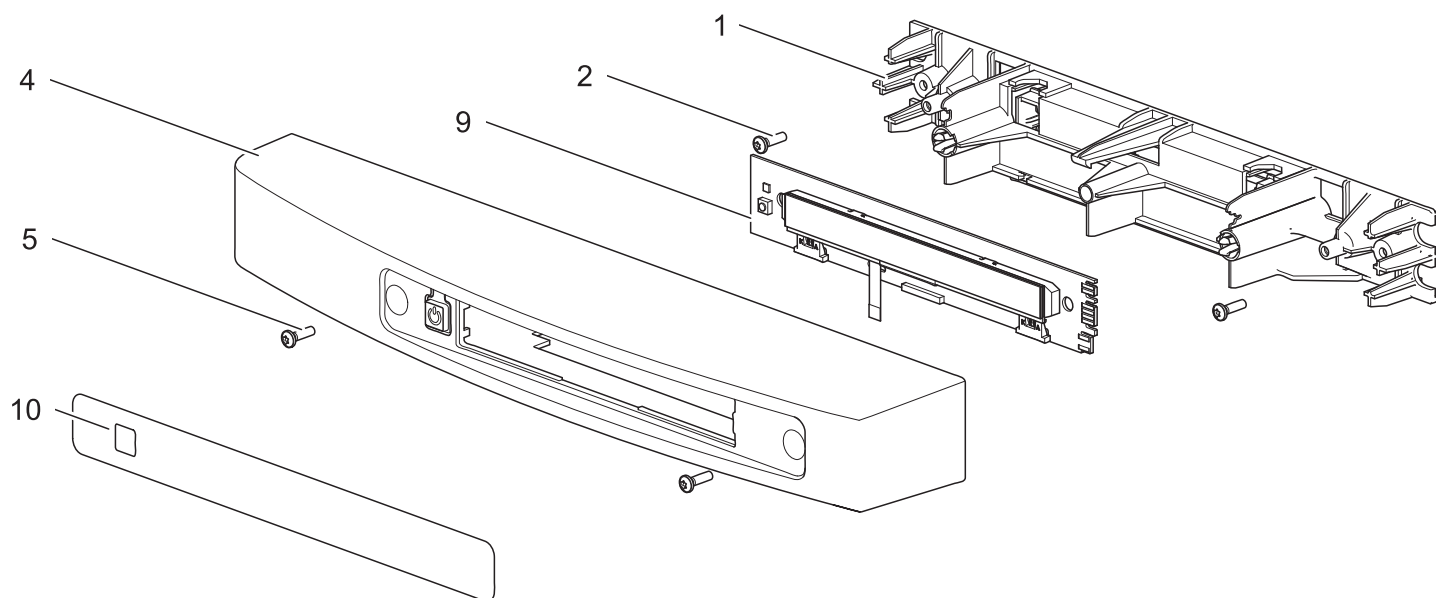
N3108 Back – LE1000

| | Single spare part number | Assembly spare part number | Items included |
|----|---|----------------------------|----------------|
| 1 | Heat cap | 690812 | |
| 2 | Heat diffuser | | |
| 3 | Heater AC | 633575 | |
| 4 | Heater DC | 633574 | |
| 5 | Heater box | | |
| 6 | Burner assembly | 634570 | |
| 7 | Spark electrode | 690813 | |
| 8 | Gas pipe | | |
| 9 | Power control board (Housing included) | 690811 | |
| 10 | Gas valve | 690810 | |
| 11 | Thermistor cable (Connectors included) | 690853 | |
| | Loose connector temp. sense cable (power board side) | 690855 | |
| 12 | Communication cable (Connectors included) | 690854 | |
| | Loose connector comm. cable (power board side) | 690856 | |

LED-control panel



LCD-control panel



N3112 E LED Control Panel – LE1005

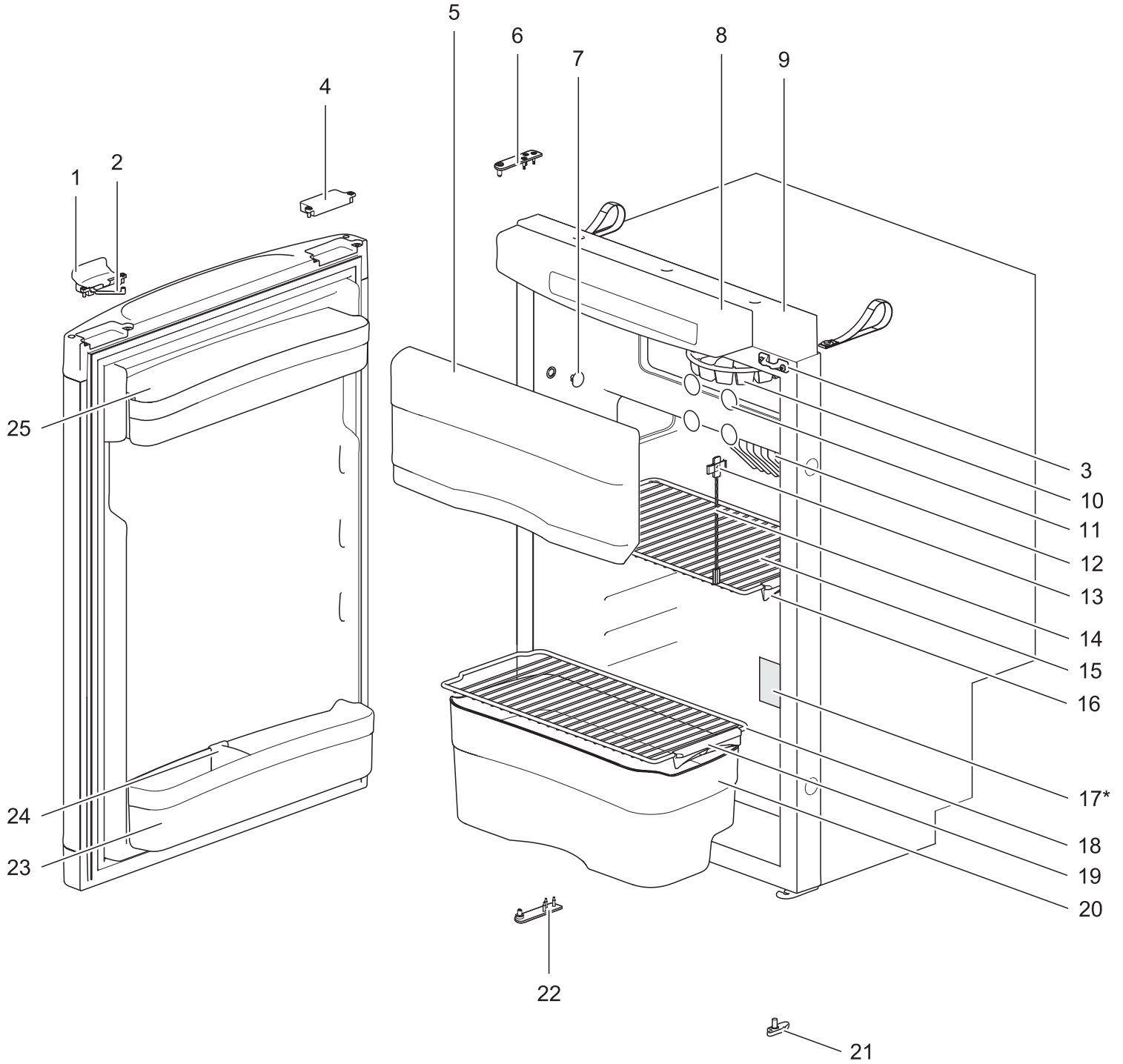
| | Single spare part number | Assembly spare part number | Items included |
|---|--|--|----------------|
| 1 | Technical panel curved | 690825 | 1, 7 |
| 2 | Screws | | |
| 3 | PCB LED DM | 690805 | 3, 7 |
| 4 | Housing curved left (For left hinged fridges) | 69082707 (Light grey) 690827136 (Dark grey) 69082727 (Black) | 4, 7 |
| | Housing curved right (For right hinged fridges) | 69082607 (Light grey) 690826136 (Dark grey) 69082627 (Black) | 4, 7 |
| 5 | Screws | | |
| 6 | Overlay LED | 690808 | 6, 7 |
| 7 | Sticker LED | 690809 | |
| 8 | Battery hatch | | |
| | Battery pack | 69022507 (Light grey) 69022527 (Black) | |

N3112 A LCD Control Panel – LE1005

| | Single spare part number | Assembly spare part number | Items included |
|----|---|--|----------------|
| 1 | Technical panel curved | 690849 | 1, 10 |
| 2 | Screws | | |
| 4 | Housing curved wide left (For left hinged fridges) | 69085107 (Light grey) 690851136 (Dark grey) 69085127 (Black) | 4, 10 |
| | Housing curved wide right (For right hinged fridges) | 69085007 (Light grey) 690850136 (Dark grey) 69085027 (Black) | 4, 10 |
| 5 | Screws | | |
| 9 | PCB LCD DM | 690821 | 9, 10 |
| 10 | Sticker LCD | 690822 | |



N3112 Front



17*

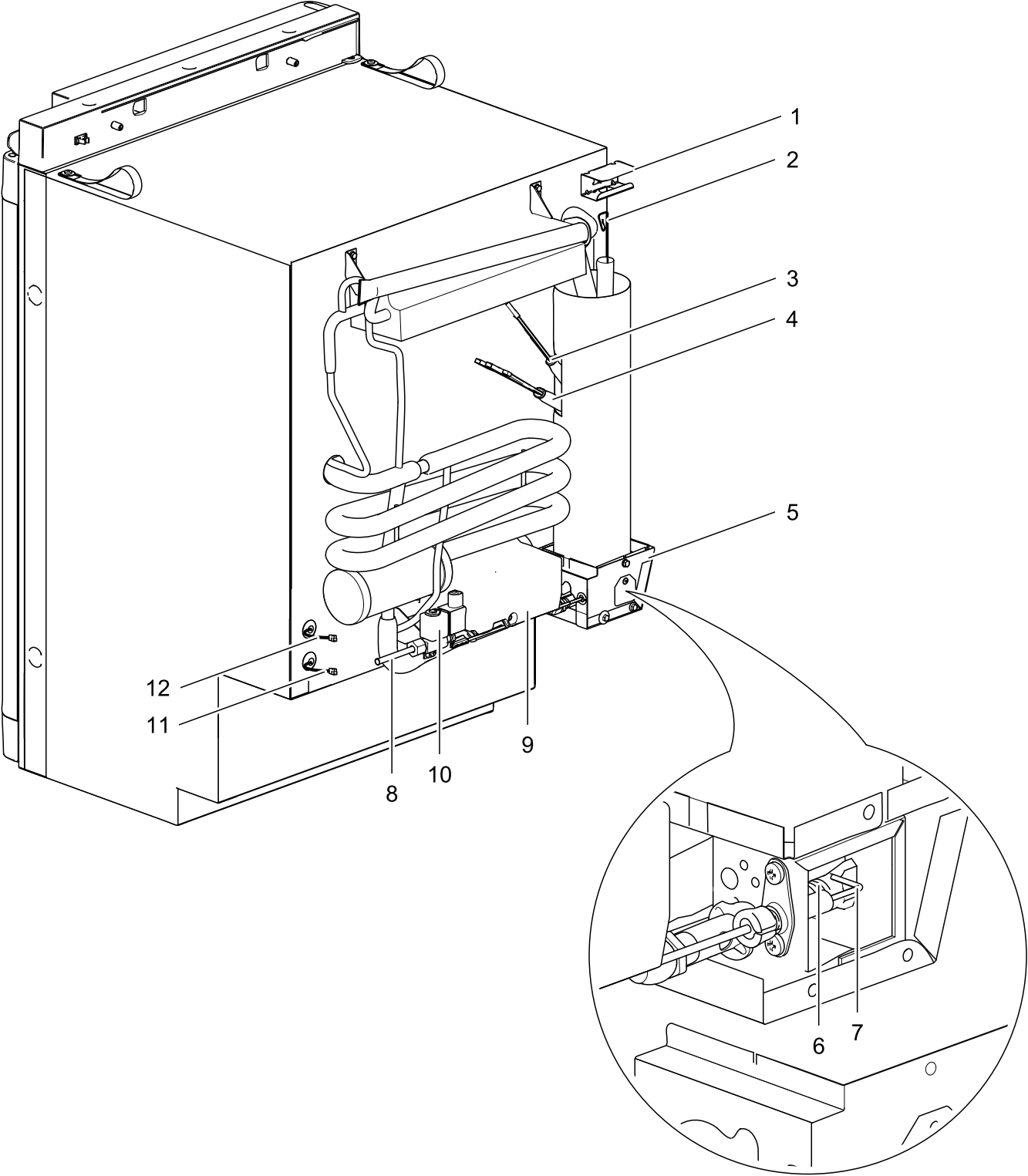
| | |
|---|--|
| THEFTORD Type C11 e4 CE Model No. _____ Climate Class SN 887 063 Serie No. _____ | |
| 230 V AC / 50-60 Hz / 150 W / 12 V DC / 140 W / 200 130112 | |
| Gross Volume Brutto Volume Volume Brut Brutto Volume | 109 L 27,4 W / 25 20 W / 11 20 W / 11 |
| Freezer Volume Gefrierfach Volume Volume Congele Volume Vreies | G30/G31-28-30/37 mbar I3B/P G30/G31: 30 mbar |
| Net Volume Volume Net Netto Volume | 102 L  E013N100611 |
| CE 0063 EN3297 | Part No. 634607 |
| ABSORBENT NH3 = 104,8 g NA2CR04 = 10,1 g p max = 21 bar | |
| CFC < HCFC, FREE / FKW, FCKW FREI | |
| 620019 0020_SerialFridge_EUR | |

N3112 Front – LE992

| | Single spare part number | Assembly spare part number | Items included |
|----|-----------------------------------|--------------------------------|----------------|
| 1 | Latch | 62698507 (Light grey) | |
| 2 | Storage strap | 62698607 | 1, 2, 3 |
| 3 | Strike plate | 626985136 (Dark grey) | |
| 4 | Pocket cover | 62698527 (Black) | |
| 5 | Freezer door (Hinges included) | 690852 | |
| 6 | Hinge plate | | |
| 7 | Cap | 62362208 (Contains 2 caps) | |
| 8 | Control panel LED/LCD | | |
| 9 | Mountingbox | | |
| 10 | Ice cube tray | | |
| 11 | Cap freezer bolt | 62447908 (Contains 12 caps) | |
| 12 | Fin | | |
| 13 | Fin clip | 623059 | |
| 14 | Thermistor | 623077 | |
| 15 | Shelf E | 69083108 | |
| 16 | Clip shelf large | 62362508 | |
| 17 | Identification label * | | |
| 18 | Shelf E | 69083108 | |
| 19 | Clip shelf large | 62362508 | |
| 20 | Vegetable bin | 69082908 | |
| 21 | Latch bottom | 62400127 | |
| 22 | Hinge plate | | |
| 23 | Door bin curved wide | 69082408 | |
| 24 | Bottle retainer | 62698912 | |
| 25 | Door bin curved shallow | 69082308 | |

- * When requesting information about spare parts for your fridge, be sure to always provide its serial number. You can find it below the barcode on the identification label.

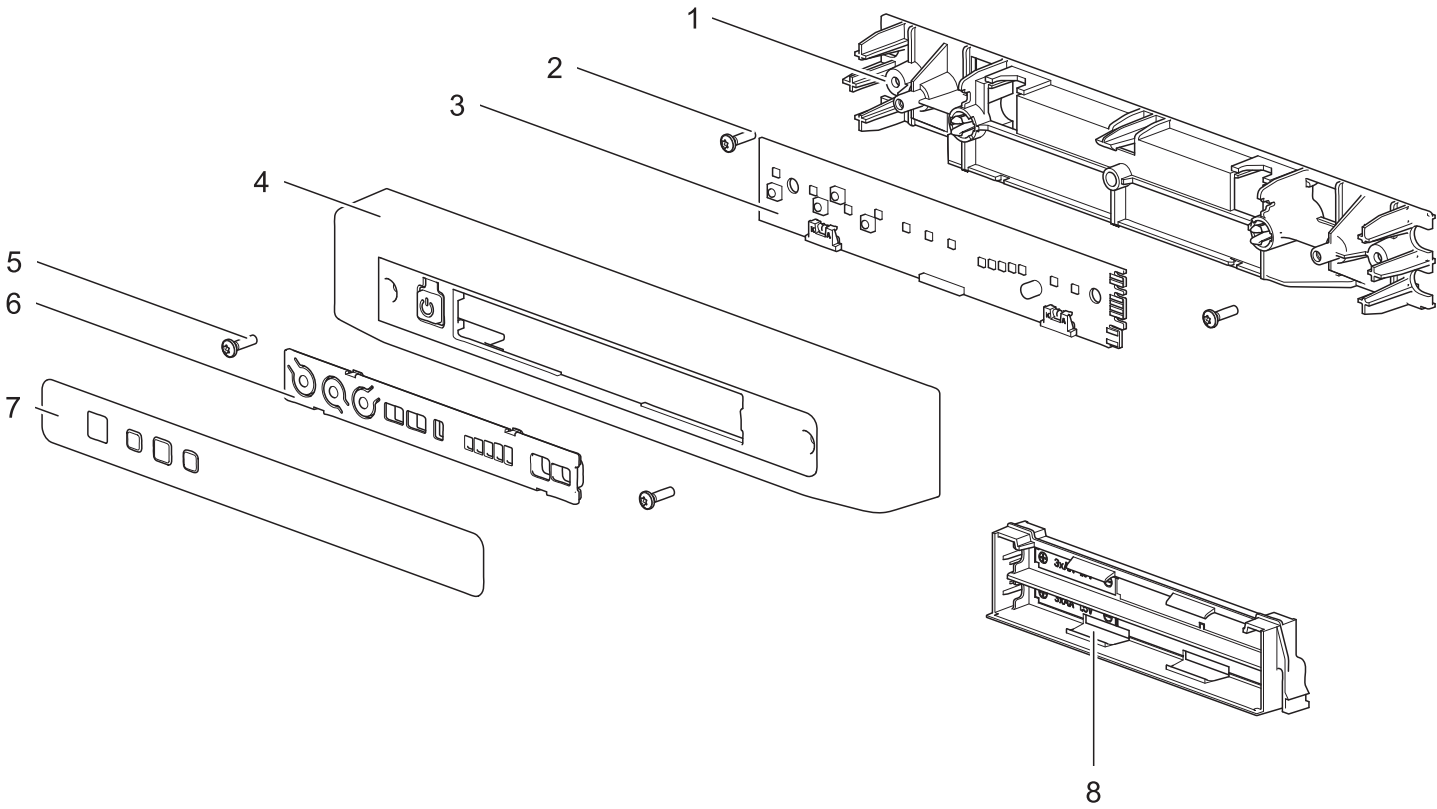
N3108/N3112/N3115 Back



N3112 Back – LE1000

| | Single spare part number | Assembly spare part number | Items included |
|----|---|----------------------------|----------------|
| 1 | Heat cap | 690812 | |
| 2 | Heat diffuser | | |
| 3 | Heater AC | 633575 | |
| 4 | Heater DC | 633574 | |
| 5 | Heater box | | |
| 6 | Burner assembly | 634570 | |
| 7 | Spark electrode | 690813 | |
| 8 | Gas pipe | | |
| 9 | Power control board (Housing included) | 690811 | |
| 10 | Gas valve | 690810 | |
| 11 | Thermistor cable (Connectors included) | 690853 | |
| | Loose connector temp. sense cable (power board side) | 690855 | |
| 12 | Communication cable (Connectors included) | 690854 | |
| | Loose connector comm. cable (power board side) | 690856 | |

LED-control panel

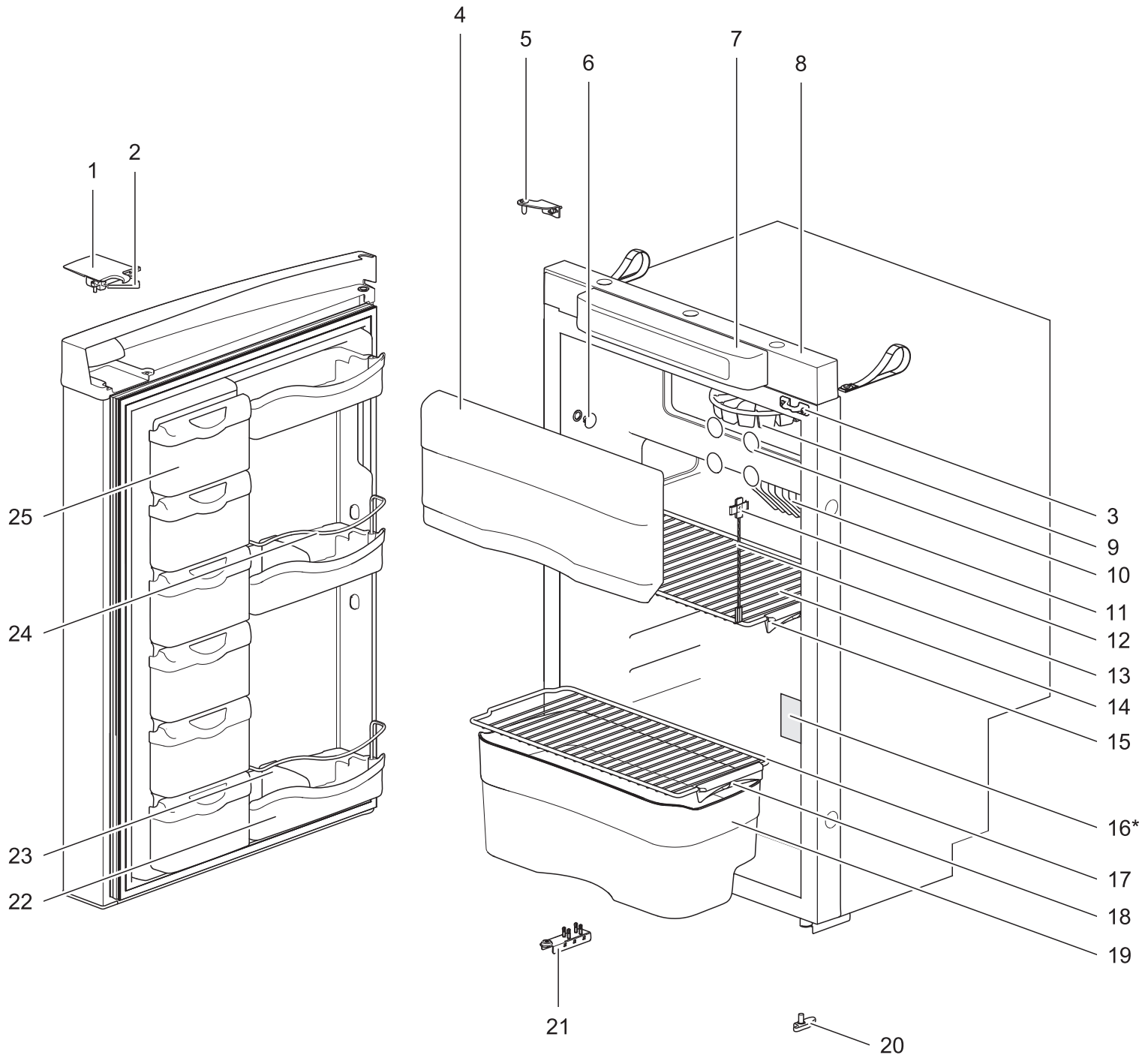


N3115 LED Control Panel - LE1006

| | Single spare part number | Assembly spare part number | Items included |
|---|--------------------------|--|----------------|
| 1 | Technical panel flat | 690806 | 1, 7 |
| 2 | Screws | | |
| 3 | PCB LED DM | 690805 | 3, 7 |
| 4 | Housing flat wide | 69083507 (Light grey) 690835136 (Dark grey) 69083527 (Black) | 4, 7 |
| 5 | Screws | | |
| 6 | Overlay LED | 690808 | 6, 7 |
| 7 | Sticker LED | 690809 | |
| 8 | Battery hatch | | |
| | Battery pack | 69022507 (Light grey) 69022527 (Black) | |



N3115 Front



16*

| | |
|--|--|
| THEFTORD Model No. _____ Type C11 e4 CE Serie No. _____ Climate Class SN 1887 063 | |
| 230 V AC, 50-60 Hz, 150 W, 12 V DC, 140 W, 200 130112 | |
| Gross Volume Brutto Volume Volume Brut Brutto Volume | 109 L 22 W 20 H |
| Freezer Volume Gefrierfach Volume Volume Congele Volume Vreies | G30/G31: 28-30/37 mbar I3B/P G30/G31: 30 mbar |
| Net Volume Volume Net Netto Volume | 102 L  E013N100611 |
| CE 0063 EN3297 | Part No. 634607 |
| ABSORBER NH3 = 104.9 g NA2CR04 = 10.1 g p max = 21 bar | |
| CFC < HCFC, FREE / FKW, FCKW FREI | |
| 620019 0020_SerialFridge_EUR | |

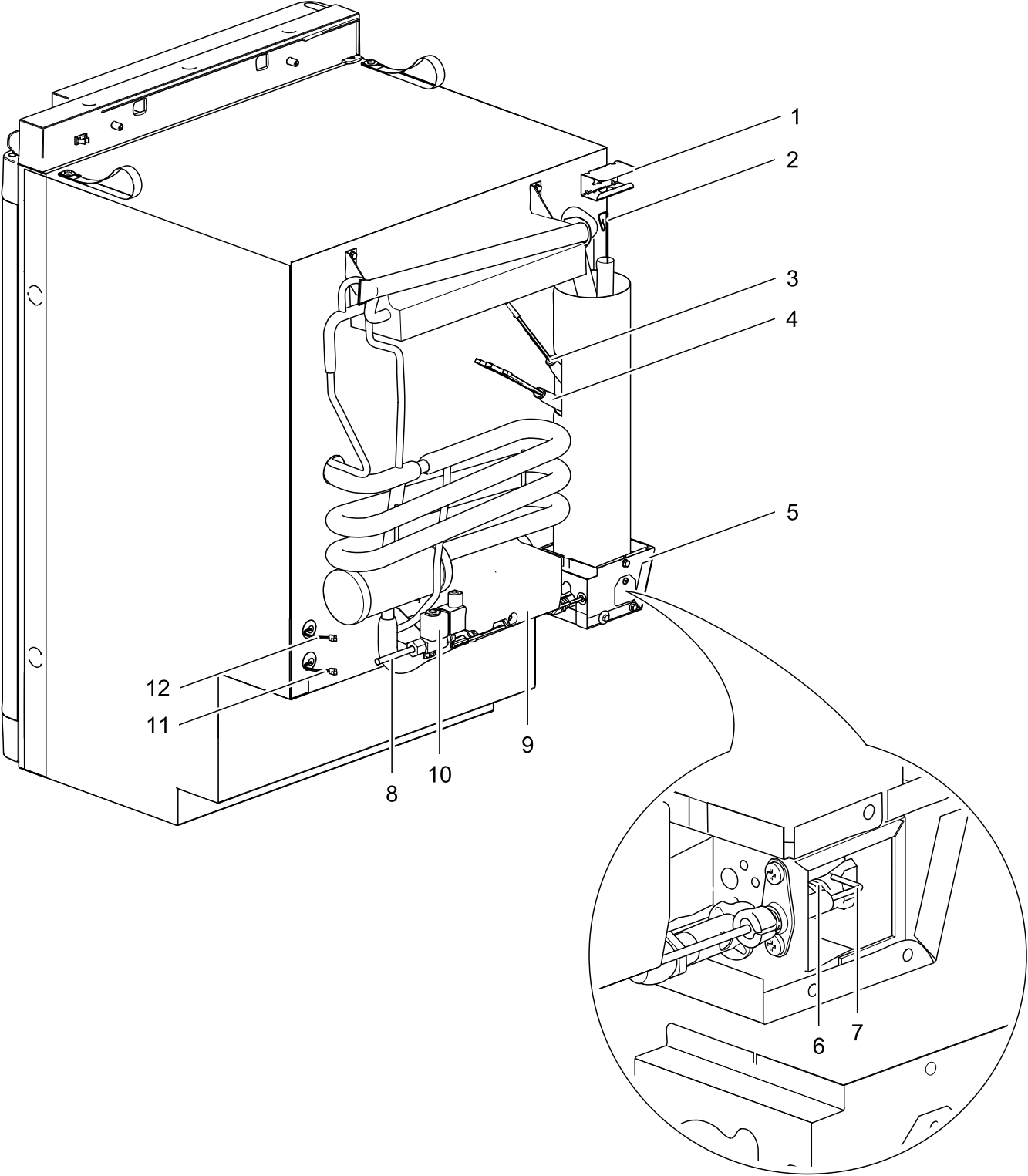
N3115 Front – LE993

| | Single spare part number | Assembly spare part number | Items included |
|----|-----------------------------------|--------------------------------|----------------|
| 1 | Latch | | |
| 2 | Storage strap | 62698607 | |
| 3 | Strike plate | | |
| 4 | Freezer door (Hinges included) | 690852 | |
| 5 | Hinge plate | | |
| 6 | Cap | 62362208 (Contains 2 caps) | |
| 7 | Control panel LED | | |
| 8 | Mountingbox | | |
| 9 | Ice cube tray | | |
| 10 | Freezer cap | 62447908 (Contains 12 caps) | |
| 11 | Fin | | |
| 12 | Fin clip | 623059 | |
| 13 | Thermistor | 623077 | |
| 14 | Shelf E | 69083108 | |
| 15 | Clip shelf large | 62362508 | |
| 16 | Identification label * | | |
| 17 | Shelf E | 69083108 | |
| 18 | Clip shelf large | 62362508 | |
| 19 | Vegetable bin | 69083408 | |
| 20 | Latch bottom | 629721 | |
| 21 | Hinge plate | | |
| 22 | Doorbin | 62974512 | |
| 23 | Bottle retainer | 62698912 | |
| 24 | Rail | | |
| 25 | Small doorbin | 62974712 | |

- * When requesting information about spare parts for your fridge, be sure to always provide its serial number. You can find it below the barcode on the identification label.



N3108/N3112/N3115 Back

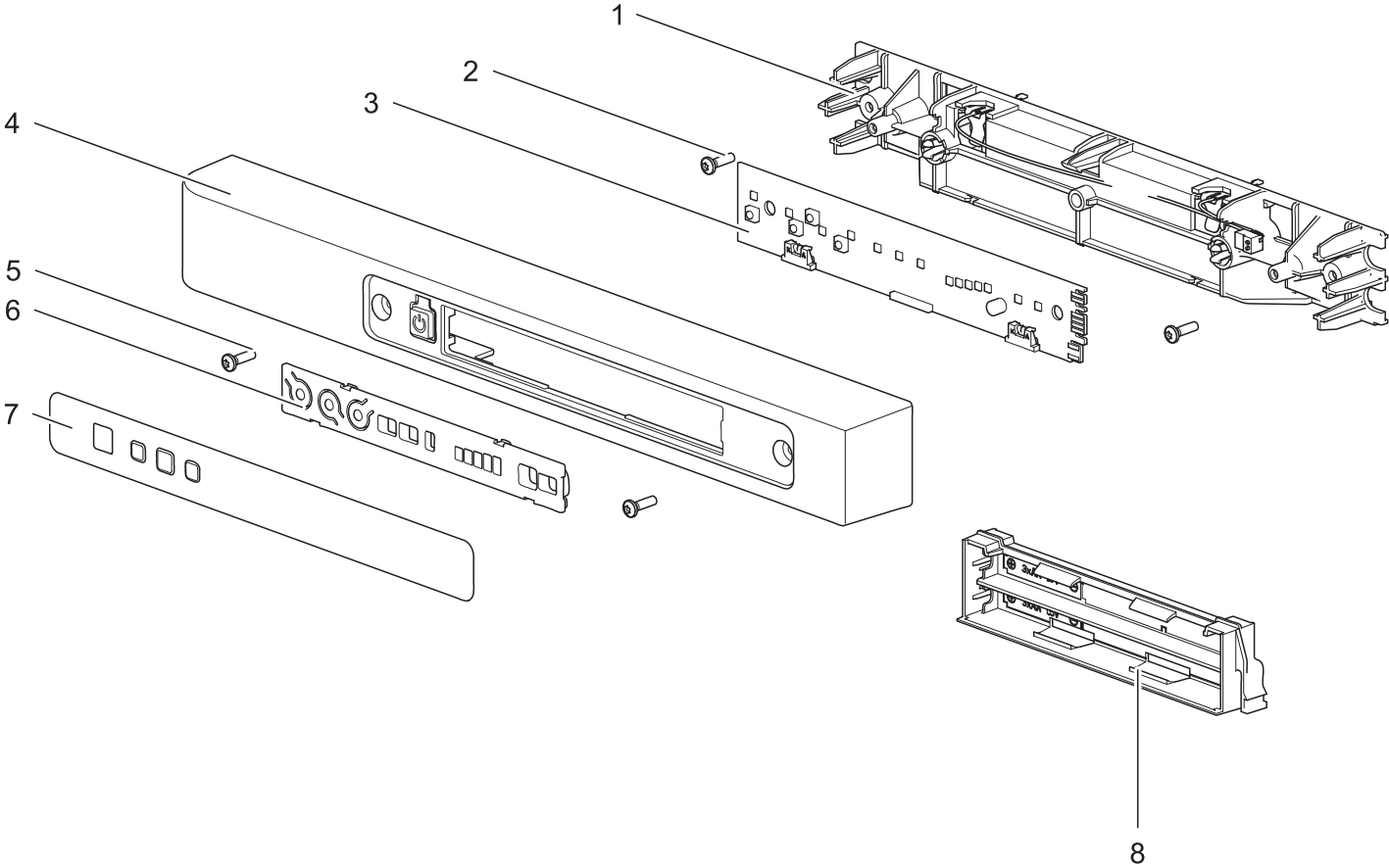


N3115 Back – LE1000

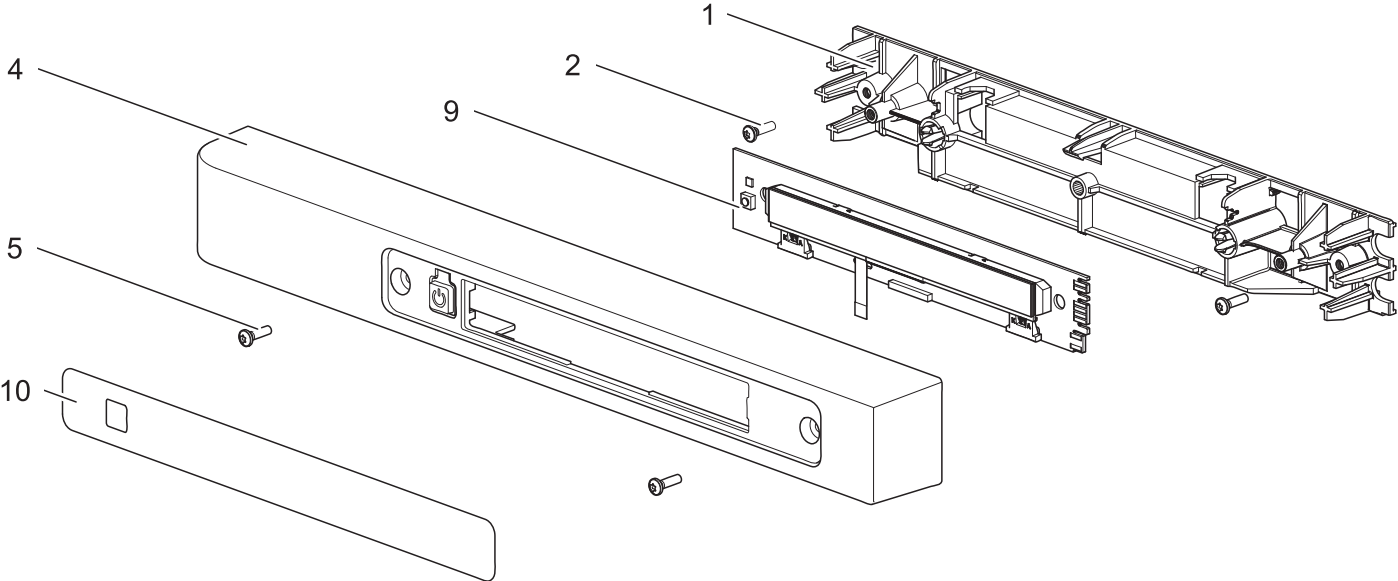
| | Single spare part number | Assembly spare part number | Items included |
|----|---|----------------------------|----------------|
| 1 | Heat cap | 690812 | |
| 2 | Heat diffuser | | |
| 3 | Heater AC | 633575 | |
| 4 | Heater DC | 633574 | |
| 5 | Heater box | | |
| 6 | Burner assembly | 634570 | |
| 7 | Spark electrode | 690813 | |
| 8 | Gas pipe | | |
| 9 | Power control board (Housing included) | 690811 | |
| 10 | Gas valve | 690810 | |
| 11 | Thermistor cable (Connectors included) | 690853 | |
| | Loose connector temp. sense cable (power board side) | 690855 | |
| 12 | Communication cable (Connectors included) | 690854 | |
| | Loose connector comm. cable (power board side) | 690856 | |



LED-control panel



LCD-control panel



N3145 E LED Control Panel – LE1004

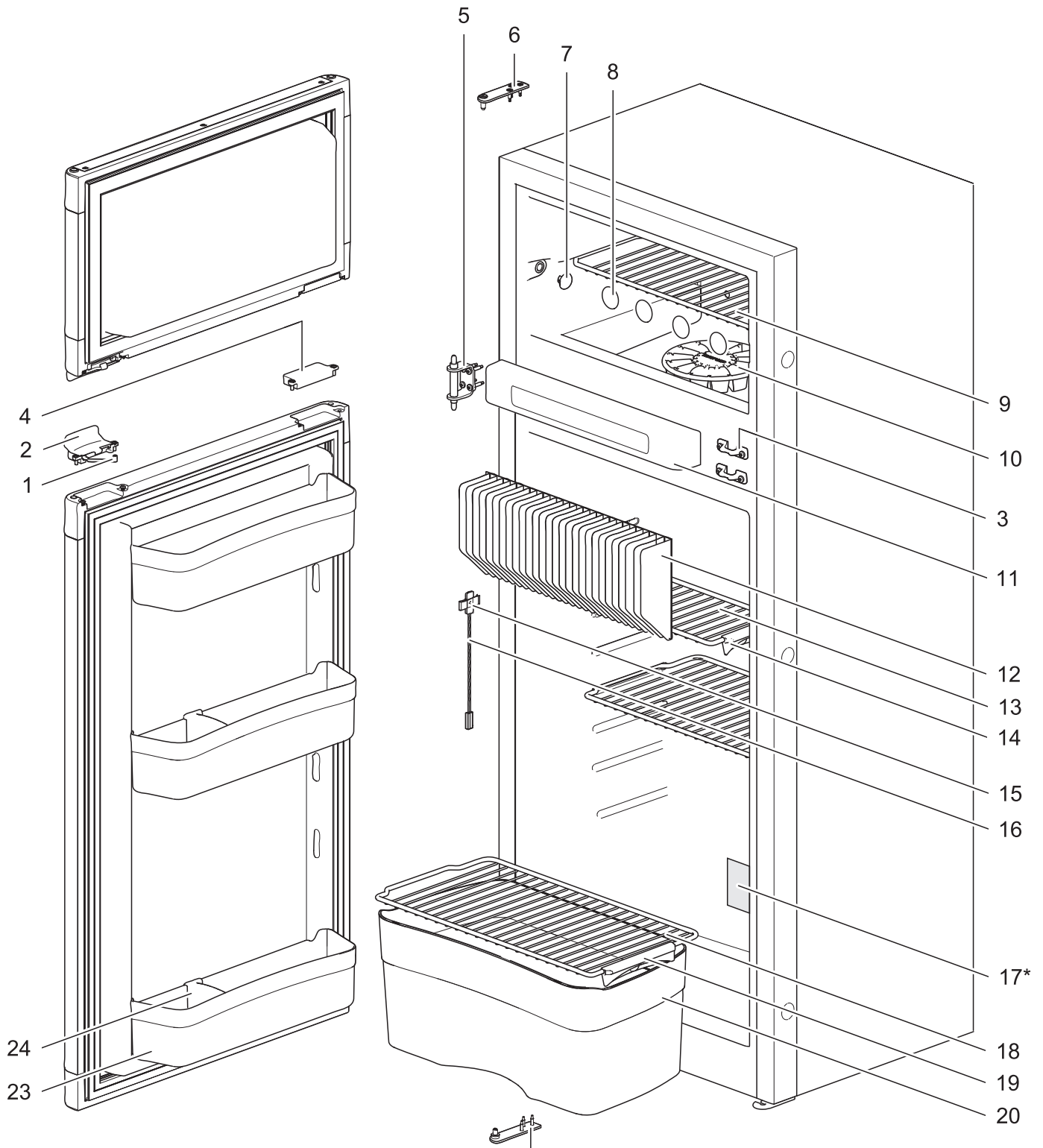
| | Single spare part number | Assembly spare part number | Items included |
|---|---|--|----------------|
| 1 | Technical panel flat | 690806 | 1, 7 |
| 2 | Screws | | |
| 3 | PCB LED DM | 690805 | 3, 7 |
| 4 | Housing flat wide left (For left hinged fridges) | 69082007 (Light grey) 690820136 (Dark grey) 69082027 (Black) | 4, 7 |
| | Housing flat wide right (For right hinged fridges) | 69081907 (Light grey) 690819136 (Dark grey) 69081927 (Black) | 4, 7 |
| 5 | Screws | | |
| 6 | Overlay LED | 690808 | 6, 7 |
| 7 | Sticker LED | 690809 | |
| 8 | Battery hatch | | |
| | Battery pack | 69022507 (Light grey) 69022527 (Black) | |

N3145 A LCD Control Panel – LE1004

| | Single spare part number | Assembly spare part number | Items included |
|----|---|--|----------------|
| 1 | Technical panel flat | 690846 | 1, 10 |
| 2 | Screws | | |
| 4 | Housing flat wide left (For left hinged fridges) | 69084807 (Light grey) 690848136 (Dark grey) 69084827 (Black) | 4, 10 |
| | Housing flat wide right (For right hinged fridges) | 69084707 (Light grey) 690847136 (Dark grey) 69084827 (Black) | 4, 10 |
| 5 | Screws | | |
| 9 | PCB LCD DM | 690821 | 9, 10 |
| 10 | Sticker LCD | 690822 | |



N3145 Front



17*

THEFTORD

Model No. _____ Type **C11** **e4** **CE**
 Serie No. _____ Climate Class **SN** **887** **063**

230 V AC, 50 Hz, 50 (55) W, 1.55 m³, 12 V DC, 1.48 W, 100 Hz, 130/112

| | | | |
|---------------|-------|------|----|
| Gross Volume | 109 L | 22 W | 25 |
| Brutto Volume | | 20 W | |
| Volume Brut | | | |
| Brutto Volume | | | |

Freezer Volume: G30/G31-28-30/37 mbar
 Gefrierfach Volume: 138/P G30/G31: 30 mbar
 Volume Congelation: Volume Vroies

Netto Volume: 102 L
 Volume Net
 Netto Volume

CE 0063 EN3297 Part No. 634607

ABSORBER NH3 = 104.8 g NA2CR04 = 10.1 g p max = 21 bar

CFC < HCFC, FREE / FKW, FCKW FREI

520019
0020_SerialFridge_EUR

SPÉCIMEN

E013N100611

22

21

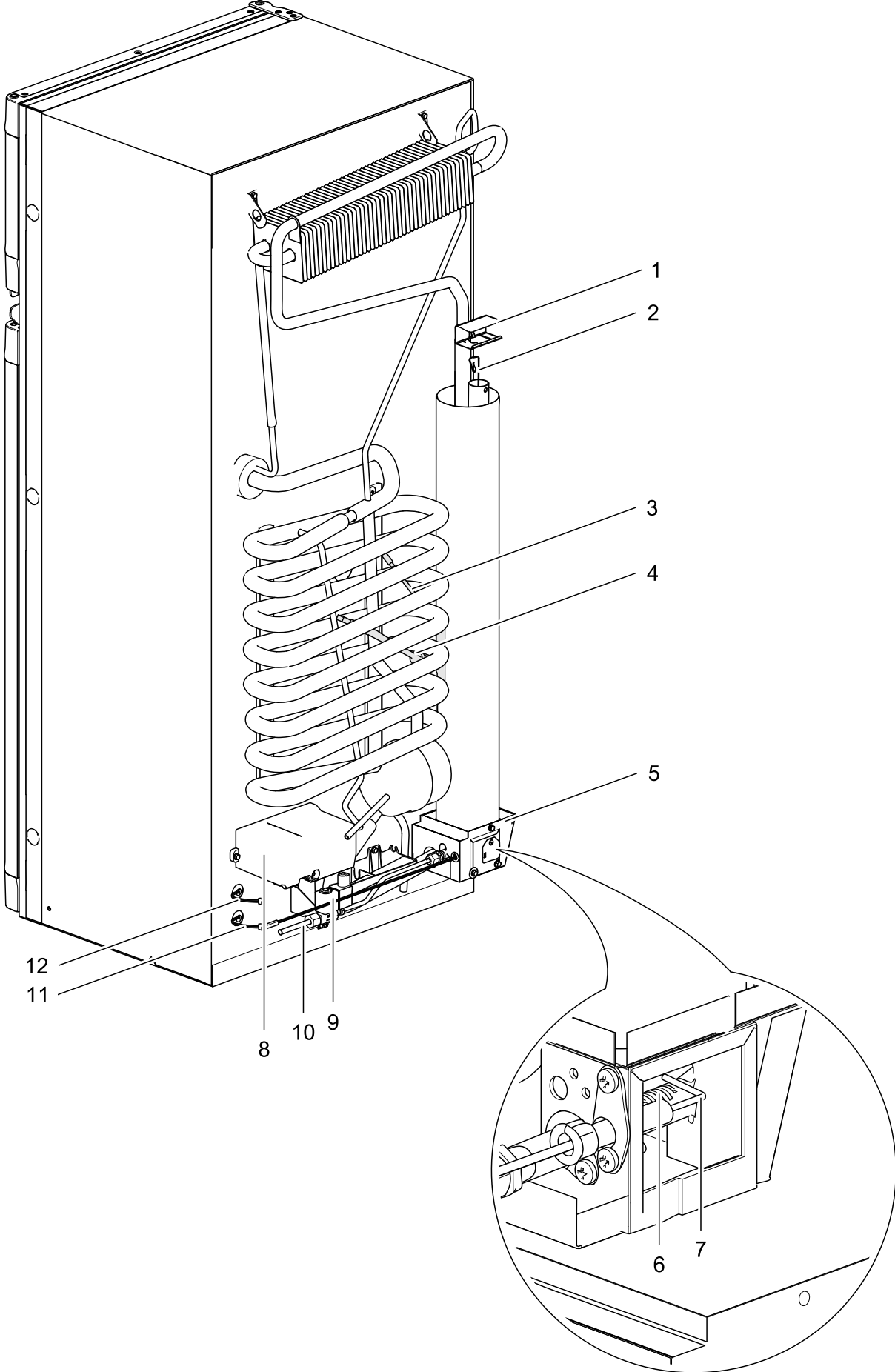
N3145 Front – LE994

| | | Single spare part number | Assembly spare part number | Items included |
|----|------------------------|--------------------------------|----------------------------|----------------|
| 1 | Storage strap | 62698607 | 62698507 (Light grey) | |
| 2 | Latch | | 626985136 (dark grey) | 1, 2, 3 |
| 3 | Strike plate | | 62698527 (Black) | |
| 4 | Pocket cover | | | |
| 5 | Hinge center | | | |
| 6 | Hinge plate | | | |
| 7 | Cap | 62362208 (Contains 2 caps) | | |
| 8 | Cap freezer bolt | 62447908 (Contains 12 caps) | | |
| 9 | Shelf freezer G | 69083608 | | |
| 10 | Ice cube tray | | | |
| 11 | Control panel LED/LCD | | | |
| 12 | Fin | | | |
| 13 | Shelf H | 69083708 | | |
| 14 | Clip shelf small | 62362608 | | |
| 15 | Fin clip | 623059 | | |
| 16 | Thermistor | 623077 | | |
| 17 | Identification label * | | | |
| 18 | Shelf I (2x) | 69083808 | | |
| 19 | Clip shelf large (2x) | 62362508 | | |
| 20 | Vegetable bin | 69082908 | | |
| 21 | Latch bottom | 62400127 | | |
| 22 | Hinge plate | | | |
| 23 | Door bin flat wide | 69080408 | | |
| 24 | Bottle retainer | 62698912 | | |

* When requesting information about spare parts for your fridge, be sure to always provide its serial number. You can find it below the barcode on the identification label.



N3145/N3150 Back

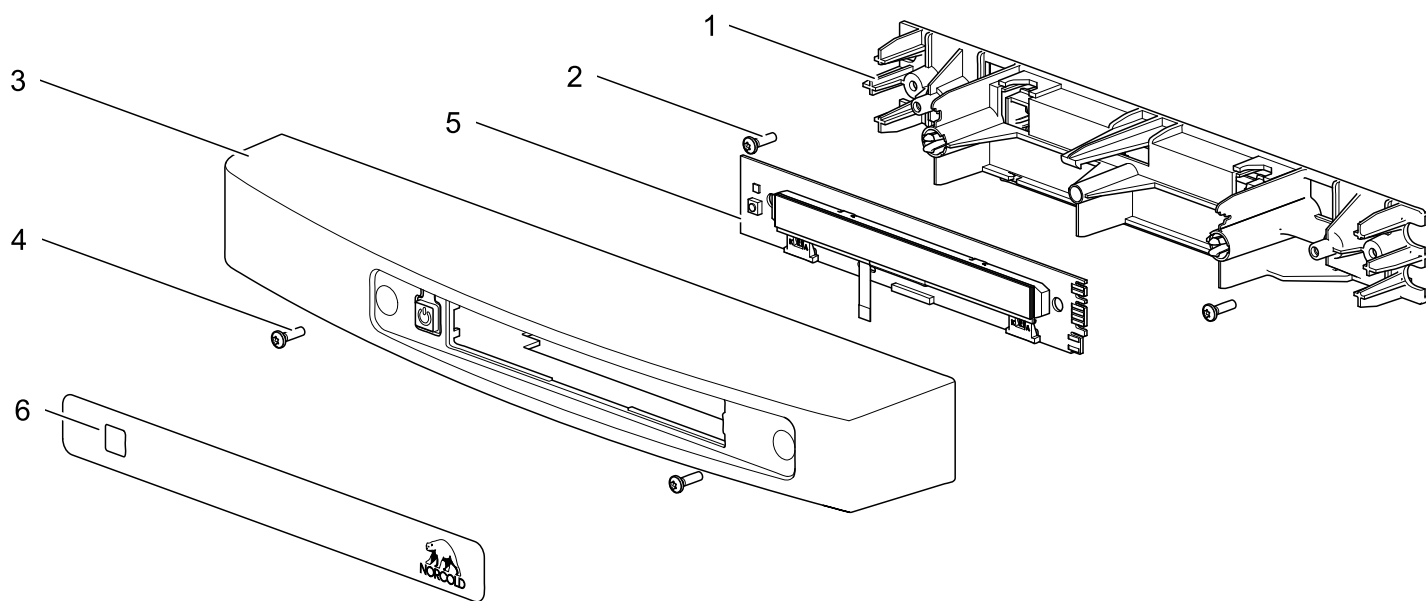


N3145 Back – LE1001

| | Single spare part number | Assembly spare part number | Items included |
|----|---|----------------------------|----------------|
| 1 | Heat cap | 690839 | |
| 2 | Heat diffuser | | |
| 3 | Heater AC | 633573 | |
| 4 | Heater DC | 633572 | |
| 5 | Heater box | | |
| 6 | Burner assembly | 623058 | |
| 7 | Spark electrode | 690840 | |
| 8 | Power control board (Housing included) | 690811 | |
| 9 | Gas valve | 690810 | |
| 10 | Gas pipe | | |
| 11 | Thermistor cable (Connectors included) | 690853 | |
| | Loose connector temp. sense cable (power board side) | 690855 | |
| 12 | Communication cable (Connectors included) | 690854 | |
| | Loose connector comm. cable (power board side) | 690856 | |



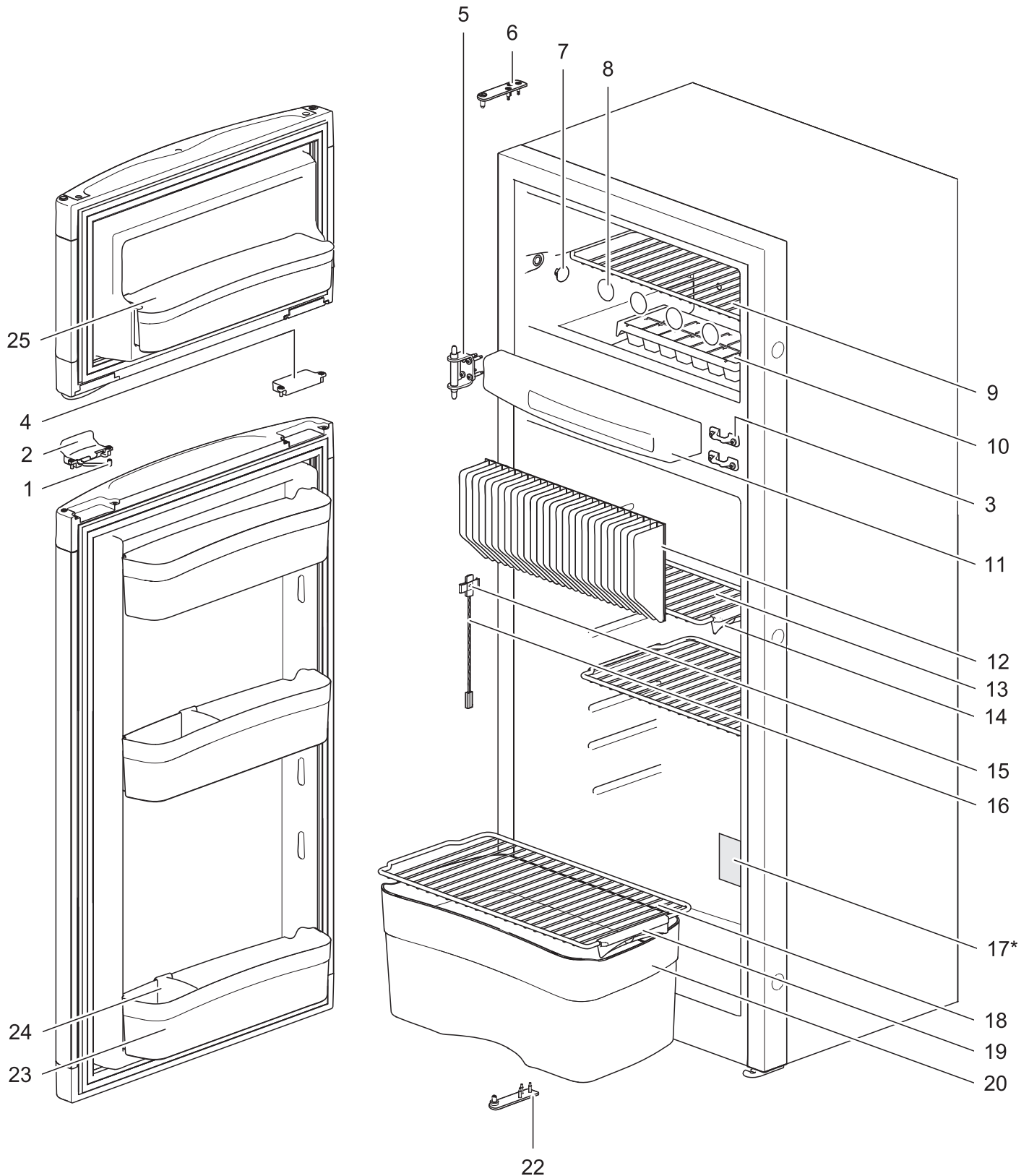
N3104-U/N3150-U LCD-control panel



N3150 US LCD Control Panel – LE1020

| | Single spare part number | Assembly spare part number | Items included |
|---|--|----------------------------|----------------|
| 1 | Technical panel curved | 690869 | 1, 6 |
| 2 | Screws | | |
| 3 | Housing curved left (For left hinged fridges) | 69087027 (Black) | 3, 6 |
| | Housing curved right (For right hinged fridges) | 69087127 (Black) | 3, 6 |
| 4 | Screws | | |
| 5 | PCB LCD DM | 690872 | 5, 6 |
| 6 | Sticker LCD | 690873 | |

N3150-U Front



17*

| | | | | | |
|--|------------------------|---------------------------------|----------------|-----|-----|
| | | Type | C11 | e4 | CE |
| Model No | | | | | |
| Serial No | | | | | |
| Climate Class | | SN | 88 | 063 | |
| 230 V AC ~ 50-60 Hz 1450 W 12 V DC I 140 W | | | | | |
| Gross Volume | | | | | |
| Brutto Volume | 109 L | Doc | 23 | W | 235 |
| Volume Brut | | | | | |
| Brutto Volume | | | | | |
| Freezer Volume | G30/G31-28-30/37 mbar | | | | |
| Gefrierfach Volume | 138/P G30/G31: 30 mbar | | | | |
| Volume Conge | | | | | |
| Volume Vroies | | | | | |
| Nett Volume | 102 L | | | | |
| Volume Net | | | | | |
| Netto Volume | | | | | |
| CE 0063 EN3297 | Part No 634607 | | | | |
| ABSORBER | NH3 = 104,9 g | NA2CR04 = 10,1 g | p max = 21 bar | | |
| CFC < HCFC, FREE / FKW, FCKW FREI | | 820019 0020_SerialFridge_EUR | | | |

SPECIMEN

21

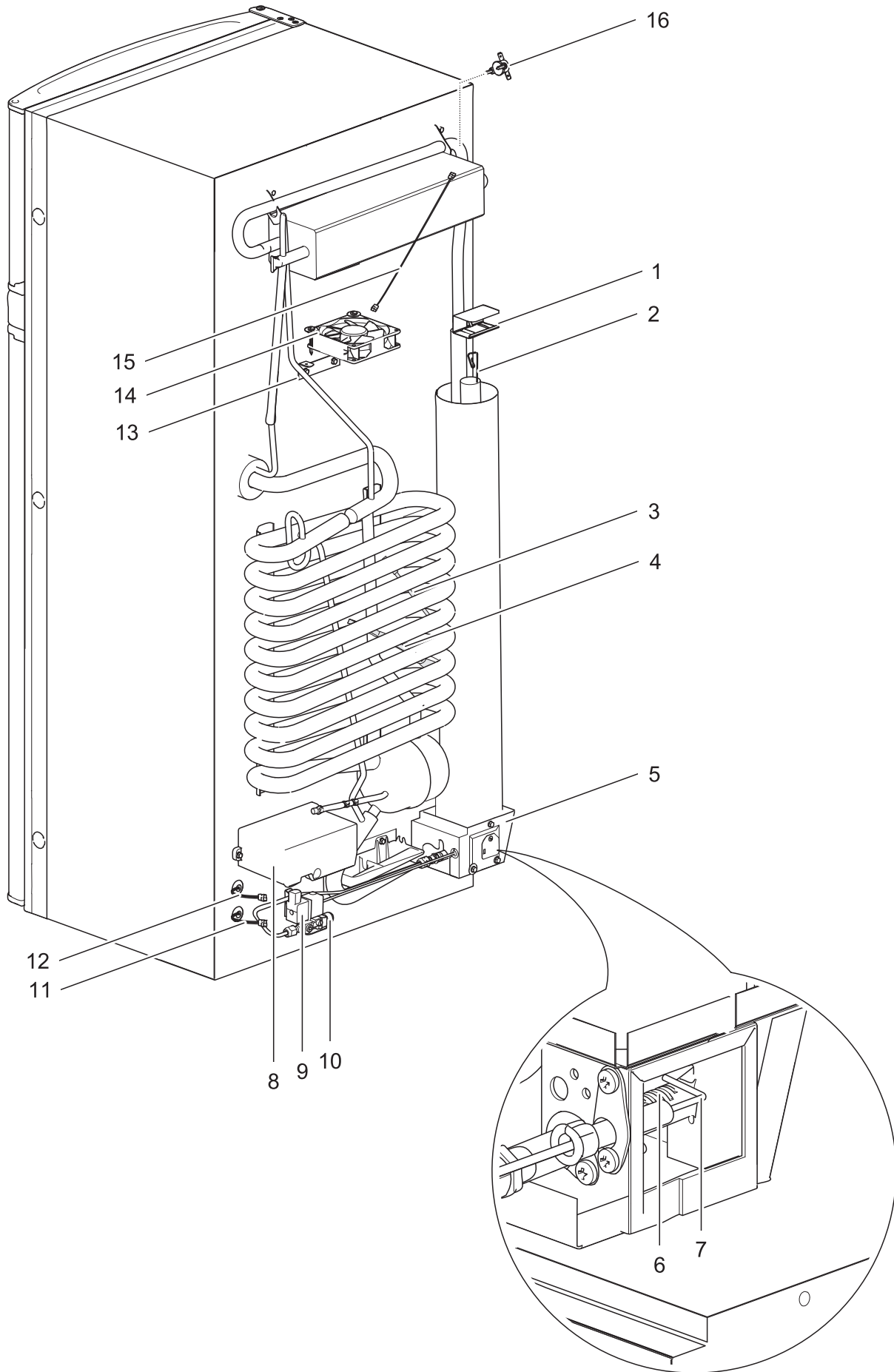
N3150 US Front – LE1071

| | | Single spare part number | Assembly spare part number | Items included |
|----|-------------------------|--------------------------------|--|----------------|
| 1 | Storage strap | 62698607 | 62698507 (Light grey) 626985136 (dark grey) 62698527 (Black) | 1, 2, 3 |
| 2 | Latch | | | |
| 3 | Strike plate | | | |
| 4 | Pocket cover | | | |
| 5 | Hinge center | | | |
| 6 | Hinge plate | | | |
| 7 | Cap | 62362208 (Contains 2 caps) | | |
| 8 | Cap freezer bolt | 62447908 (Contains 12 caps) | | |
| 9 | Shelf freezer G | 69083608 | | |
| 10 | Ice cube tray | | | |
| 11 | Control panel LCD | | | |
| 12 | Fin | | | |
| 13 | Shelf H | 69085708 | | |
| 14 | Clip shelf small | 62362608 | | |
| 15 | Fin clip | 623059 | | |
| 16 | Thermistor | 623077 | | |
| 17 | Identification label * | | | |
| 18 | Shelf I (2x) | 69085808 (Contains 1 shelf) | | |
| 19 | Clip shelf large (2x) | 62362508 (Contains 1 clip) | | |
| 20 | Vegetable bin | 69082908 | | |
| 21 | Latch bottom | 62400127 | | |
| 22 | Hinge plate | | | |
| 23 | Door bin curved wide | 69080408 | | |
| 24 | Bottle retainer | 62698912 | | |
| 25 | Door bin curved shallow | 69084108 | | |

* When requesting information about spare parts for your fridge, be sure to always provide its serial number. You can find it below the barcode on the identification label.



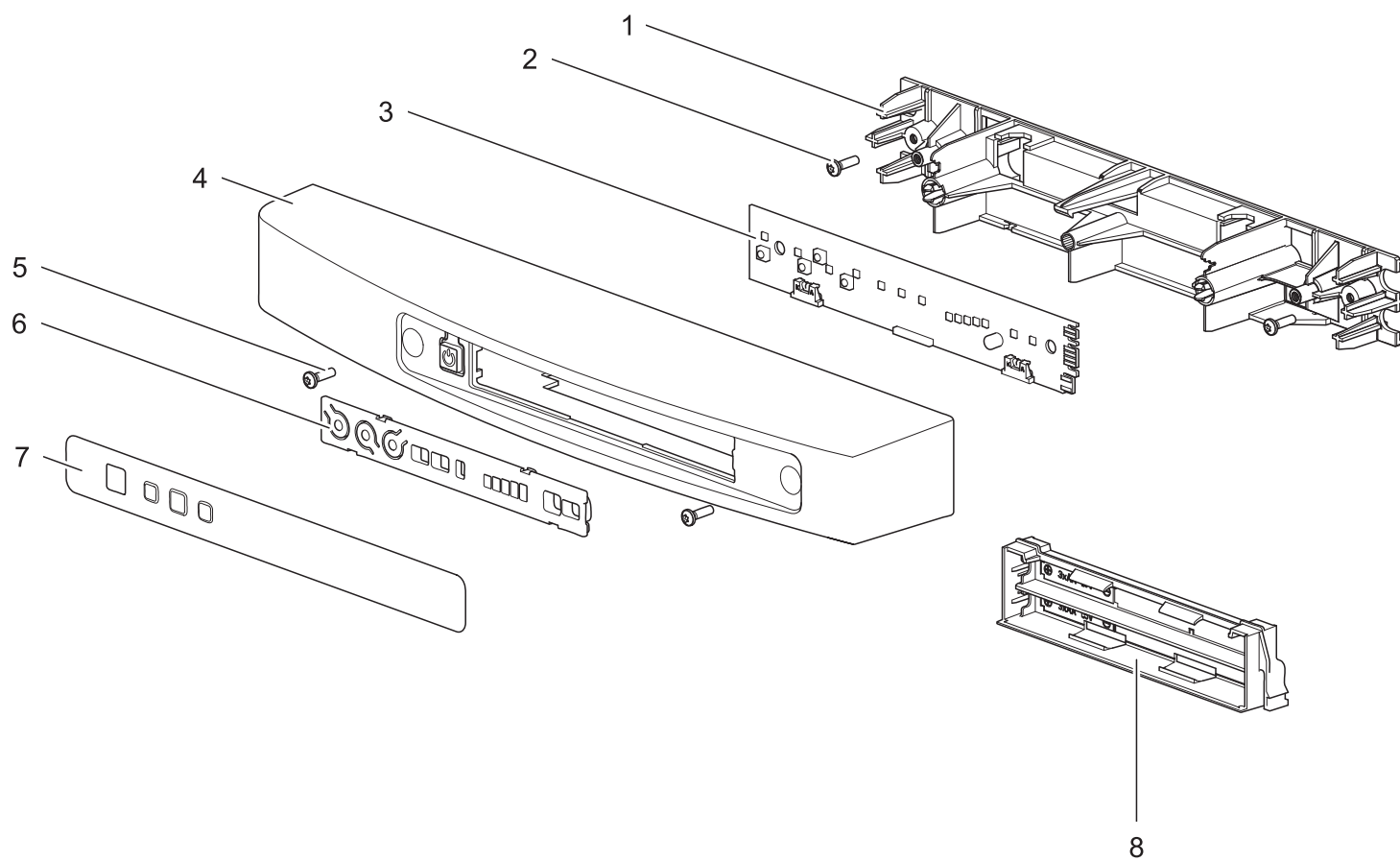
N3150-U Back



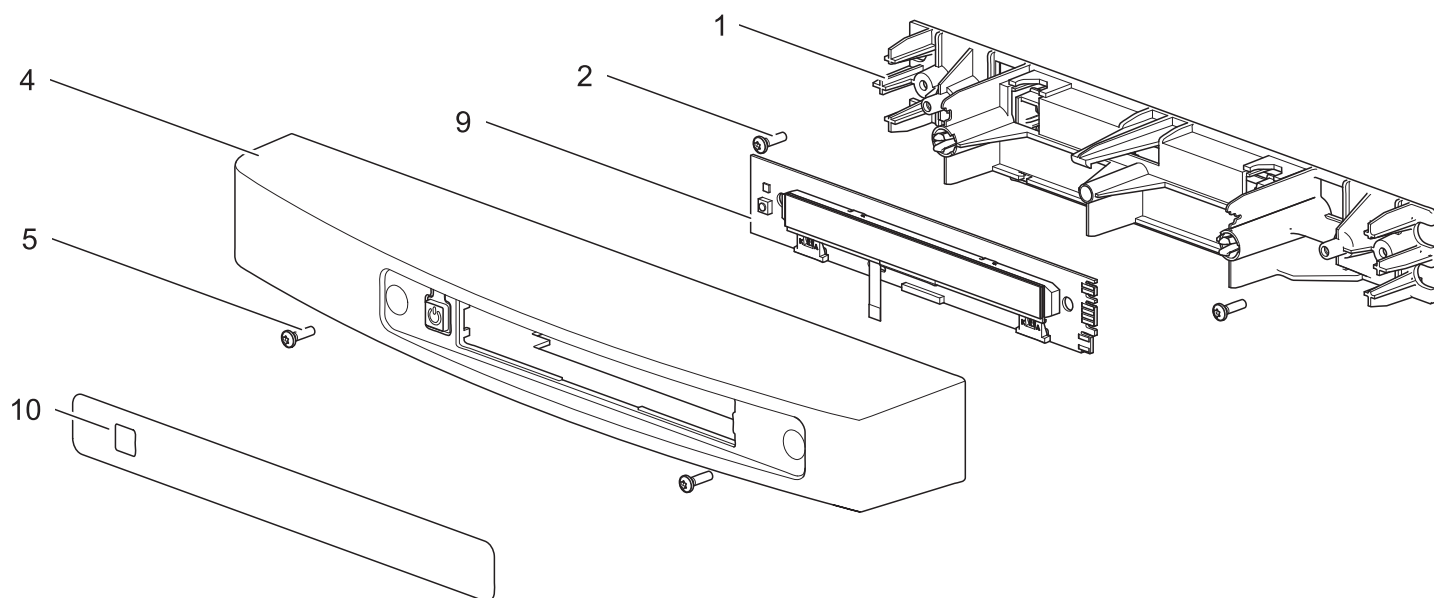
N3150 US Back – LE1019

| | | Single spare part number | Assembly spare part number | Items included |
|----|---|--------------------------|----------------------------|----------------|
| 1 | Heat cap | | 690812 | |
| 2 | Heat diffuser | | | |
| 3 | Heater AC | | 690874 | |
| 4 | Heater DC | | 690875 | |
| 5 | Heater box | | | |
| 6 | Burner assembly | | 690876 | |
| 7 | Spark electrode | | 690877 | |
| 8 | Power control board (Housing included) | | 690863 | |
| 9 | Connector gas valve | | | |
| 10 | Gas valve | | 690864 | |
| 11 | Thermistor cable (Connectors included) | | 690853 | |
| | Loose connector temp. sense cable (power board side) | | 690855 | |
| 12 | Communication cable (Connectors included) | | 690854 | |
| | Loose connector comm. cable (power board side) | | 690856 | |
| 13 | Bracket fan | | | |
| 14 | Fan | | 690865 | |
| 15 | Fan extension cable | | | |
| 16 | Thermostat dc fan | | 690866 | |

LED-control panel



LCD-control panel



N3150 E LED Control Panel – LE1005

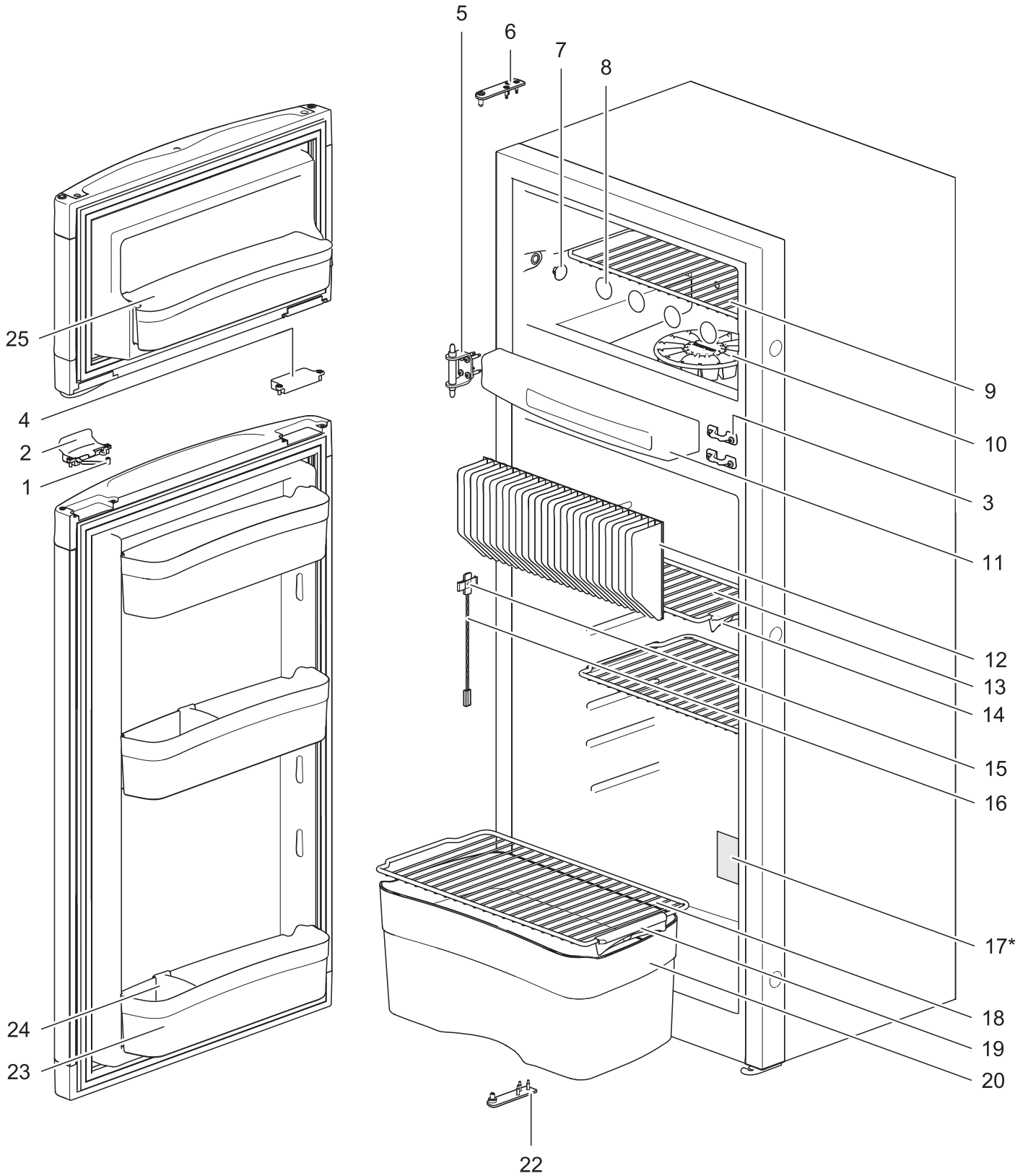
| | Single spare part number | Assembly spare part number | Items included |
|---|--|--|----------------|
| 1 | Technical panel curved | 690825 | 1, 7 |
| 2 | Screws | | |
| 3 | PCB LED DM | 690805 | 3, 7 |
| 4 | Housing curved left (For left hinged fridges) | 69082707 (Light grey) 690827136 (Dark grey) 69082727 (Black) | 4, 7 |
| | Housing curved right (For right hinged fridges) | 69082607 (Light grey) 690826136 (Dark grey) 69082627 (Black) | 4, 7 |
| 5 | Screws | | |
| 6 | Overlay LED | 690808 | 6, 7 |
| 7 | Sticker LED | 690809 | |
| 8 | Battery hatch | | |
| | Battery pack | 69022507 (Light grey) 69022527 (Black) | |

N3150 A LCD Control Panel – LE1005

| | Single spare part number | Assembly spare part number | Items included |
|----|---|--|----------------|
| 1 | Technical panel curved | 690849 | 1, 10 |
| 2 | Screws | | |
| 4 | Housing curved wide left (For left hinged fridges) | 69085107 (Light grey) 690851136 (Dark grey) 69085127 (Black) | 4, 10 |
| | Housing curved wide right (For right hinged fridges) | 69085007 (Light grey) 690850136 (Dark grey) 69085027 (Black) | 4, 10 |
| 5 | Screws | | |
| 9 | PCB LCD DM | 690821 | 9, 10 |
| 10 | Sticker LCD | 690822 | |

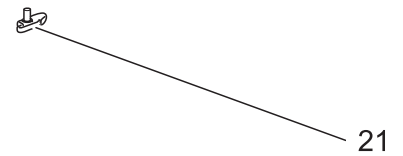


N3150 Front



17*

| | | |
|---|--|----------------------------------|
| THEYFORD Model No. _____ Type C11 Serie No. _____ Climate Class SN | | e4 887 063 |
| 230 V AC ~ 50/60 Hz 1450 W 12 V DC I 140 W 130112 | | |
| Gross Volume Brutto Volume Volume Brut Bruto Volume | 109 L 20 L 20 L 20 L | 22 23 24 25 20 21 22 23 24 25 |
| Freezer Volume Gefrierfach Volume Volume Congele Volume Vroies | G30/G31-28-30/37 mbar I3B/P G30/G31: 30 mbar | |
| Net Volume Volume Net Netto Volume | 102 L  E013N100611 | |
| CE 0063 EN3297 | Part No. 634607 | |
| ABSORBER NH3 = 104.9 g NA2CR04 = 10.1 g p max = 21 bar | | |
| CFC < HCFC, FREE / FKW, FCKW FREI | | |
| 820019 0020_SerialFridge_EUR | | |



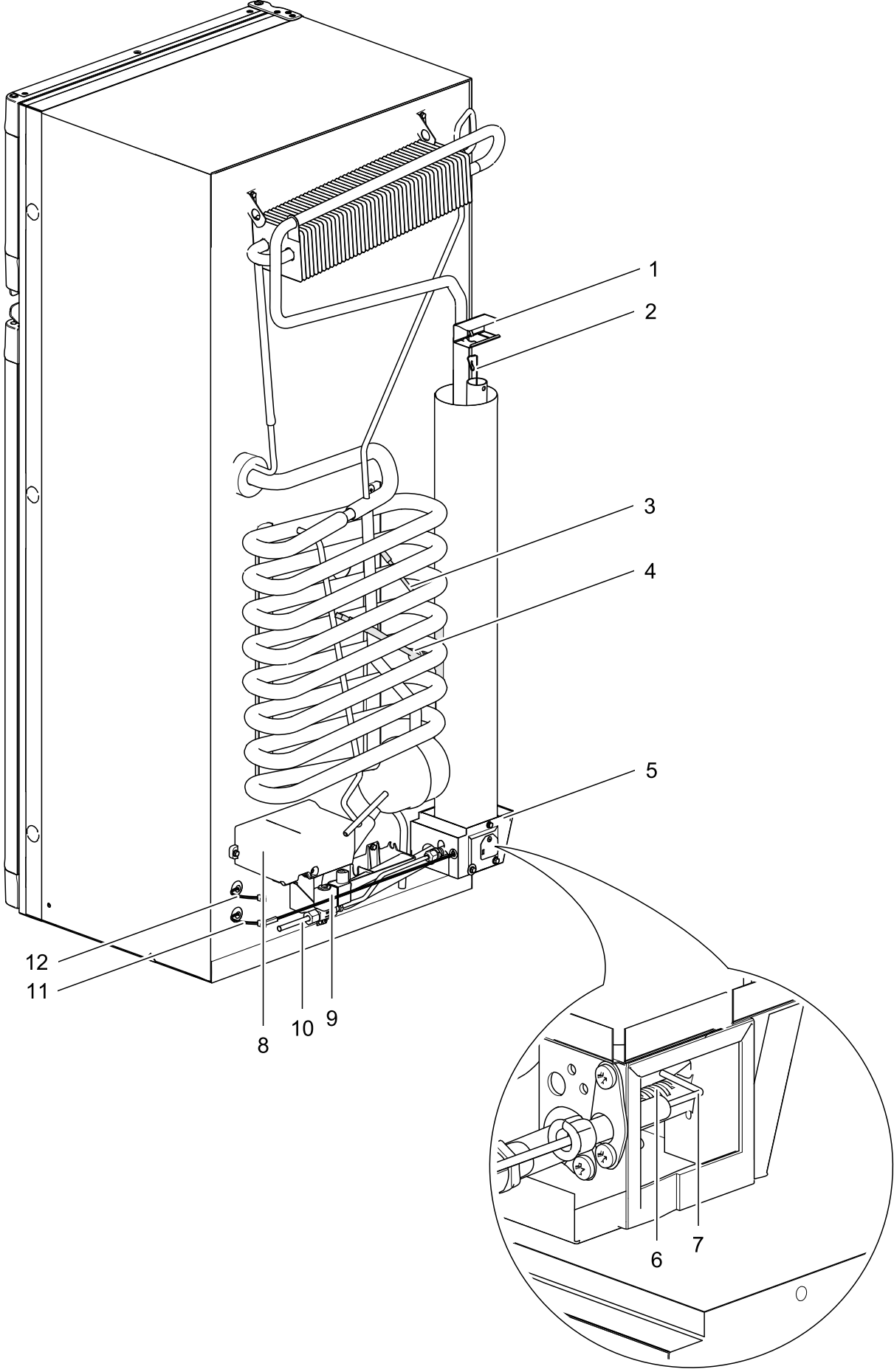
N3150 Front – LE985

| | | Single spare part number | Assembly spare part number | Items included |
|----|-------------------------|--------------------------------|----------------------------|----------------|
| 1 | Storage strap | 62698607 | 62698507 (Light grey) | |
| 2 | Latch | | 626985136 (dark grey) | 1, 2, 3 |
| 3 | Strike plate | | 62698527 (Black) | |
| 4 | Pocket cover | | | |
| 5 | Hinge center | | | |
| 6 | Hinge plate | | | |
| 7 | Cap | 62362208 (Contains 2 caps) | | |
| 8 | Cap freezer bolt | 62447908 (Contains 12 caps) | | |
| 9 | Shelf freezer G | 69083608 | | |
| 10 | Ice cube tray | | | |
| 11 | Control panel LED/LCD | | | |
| 12 | Fin | | | |
| 13 | Shelf H | 69083708 | | |
| 14 | Clip shelf small | 62362608 | | |
| 15 | Fin clip | 623059 | | |
| 16 | Thermistor | 623077 | | |
| 17 | Identification label * | | | |
| 18 | Shelf I (2x) | 69083808 | | |
| 19 | Clip shelf large (2x) | 62362508 | | |
| 20 | Vegetable bin | 69082908 | | |
| 21 | Latch bottom | 62400127 | | |
| 22 | Hinge plate | | | |
| 23 | Door bin curved wide | 69080408 | | |
| 24 | Bottle retainer | 62698912 | | |
| 25 | Door bin curved shallow | 69084108 | | |

* When requesting information about spare parts for your fridge, be sure to always provide its serial number. You can find it below the barcode on the identification label.



N3145/N3150 Back

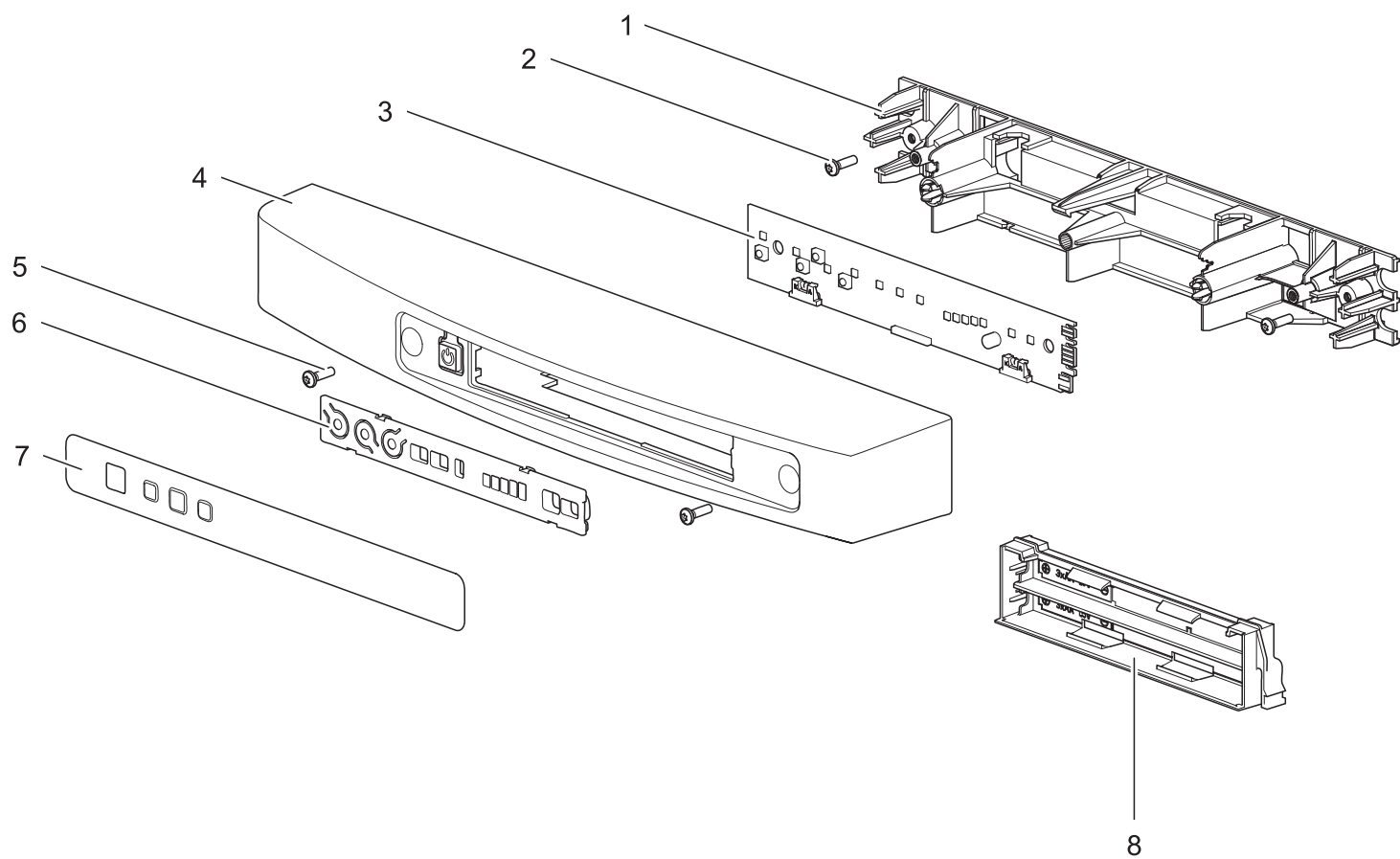


N3150 Back – LE1001

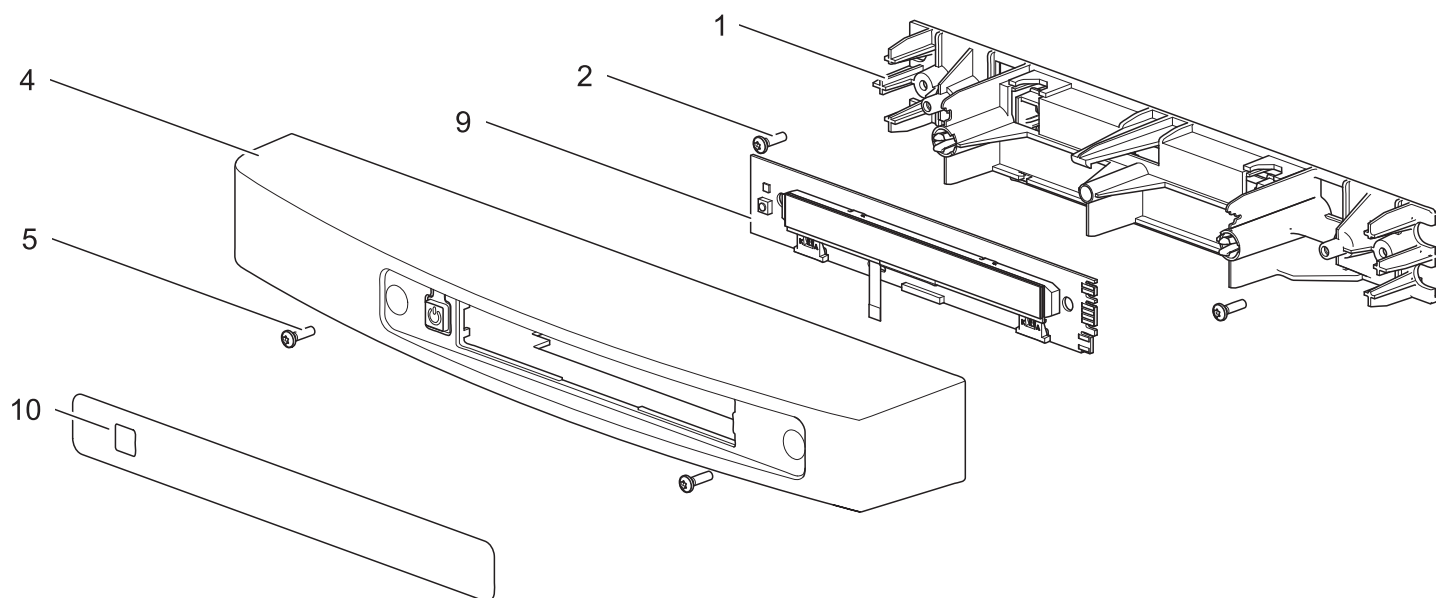
| | Single spare part number | Assembly spare part number | Items included |
|----|---|----------------------------|----------------|
| 1 | Heat cap | 690839 | |
| 2 | Heat diffuser | | |
| 3 | Heater AC | 633573 | |
| 4 | Heater DC | 633572 | |
| 5 | Heater box | | |
| 6 | Burner assembly | 623058 | |
| 7 | Spark electrode | 690840 | |
| 8 | Power control board (Housing included) | 690811 | |
| 9 | Gas valve | 690810 | |
| 10 | Gas pipe | | |
| 11 | Thermistor cable (Connectors included) | 690853 | |
| | Loose connector temp. sense cable (power board side) | 690855 | |
| 12 | Communication cable (Connectors included) | 690854 | |
| | Loose connector comm. cable (power board side) | 690856 | |



LED-control panel



LCD-control panel



N3175 E LED Control Panel – LE1005

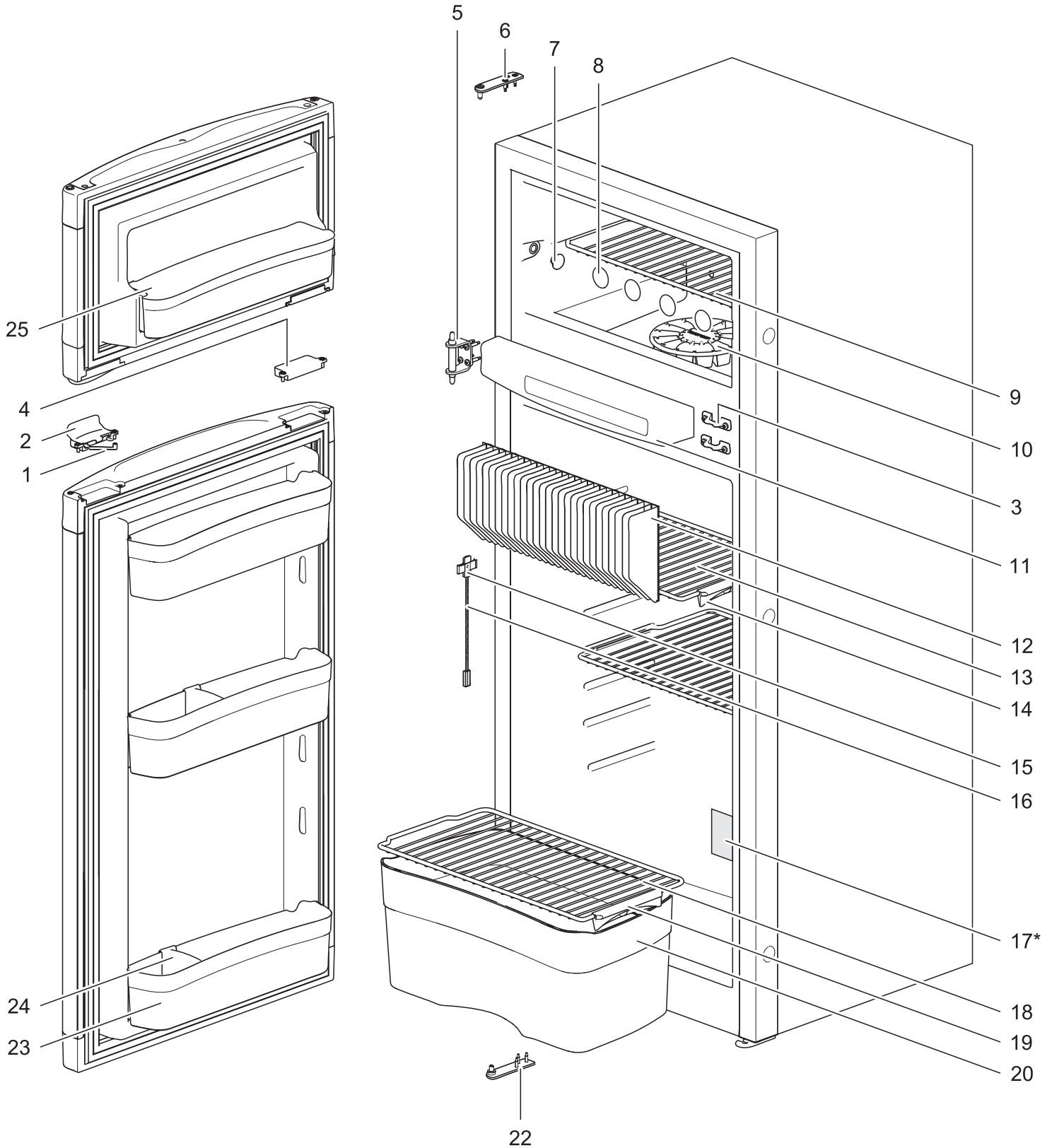
| | Single spare part number | Assembly spare part number | Items included |
|---|--|--|----------------|
| 1 | Technical panel curved | 690825 | 1, 7 |
| 2 | Screws | | |
| 3 | PCB LED DM | 690805 | 3, 7 |
| 4 | Housing curved left (For left hinged fridges) | 69082707 (Light grey) 690827136 (Dark grey) 69082727 (Black) | 4, 7 |
| | Housing curved right (For right hinged fridges) | 69082607 (Light grey) 690826136 (Dark grey) 69082627 (Black) | 4, 7 |
| 5 | Screws | | |
| 6 | Overlay LED | 690808 | 6, 7 |
| 7 | Sticker LED | 690809 | |
| 8 | Battery hatch | | |
| | Battery pack | 69022507 (Light grey) 69022527 (Black) | |

N3175 A LCD Control Panel – LE1005

| | Single spare part number | Assembly spare part number | Items included |
|----|---|--|----------------|
| 1 | Technical panel curved | 690849 | 1, 10 |
| 2 | Screws | | |
| 4 | Housing curved wide left (For left hinged fridges) | 69085107 (Light grey) 690851136 (Dark grey) 69085127 (Black) | 4, 10 |
| | Housing curved wide right (For right hinged fridges) | 69085007 (Light grey) 690850136 (Dark grey) 69085027 (Black) | 4, 10 |
| 5 | Screws | | |
| 9 | PCB LCD DM | 690821 | 9, 10 |
| 10 | Sticker LCD | 690822 | |



N3175 Front



17*

| | | |
|---|--|----------------------|
| THEYFORD Model No. _____ Type C11 Serie No. _____ Climate Class SN | | e4 887 063 |
| 230 V AC / 50-60 Hz / 150 W / 12 V DC / 140 W | | |
| Gross Volume Brutto Volumen Volume Brut Brutto Volumen | 109 L 27.4 m³ 20 m³ 20 m³ | 130112 |
| Freezer Volume Gefrierfach Volumen Volume Congeleur Volume Vroies | G30/G31-29-30/37 mbar I3B/P G30/G31: 30 mbar | |
| Net Volume Volumen Net Netto Volumen | 102 L  E013N100611 | |
| CE 0063 EN3297 | Part No. 634607 | |
| ABSORBENT NH3 = 104.9 g NA2CR04 = 10.1 g p max = 21 bar | | |
| CFC < HCFC, FREE / FKW, FCKW FREI | | |
| 820019 0020_SerialFridge_EUR | | |

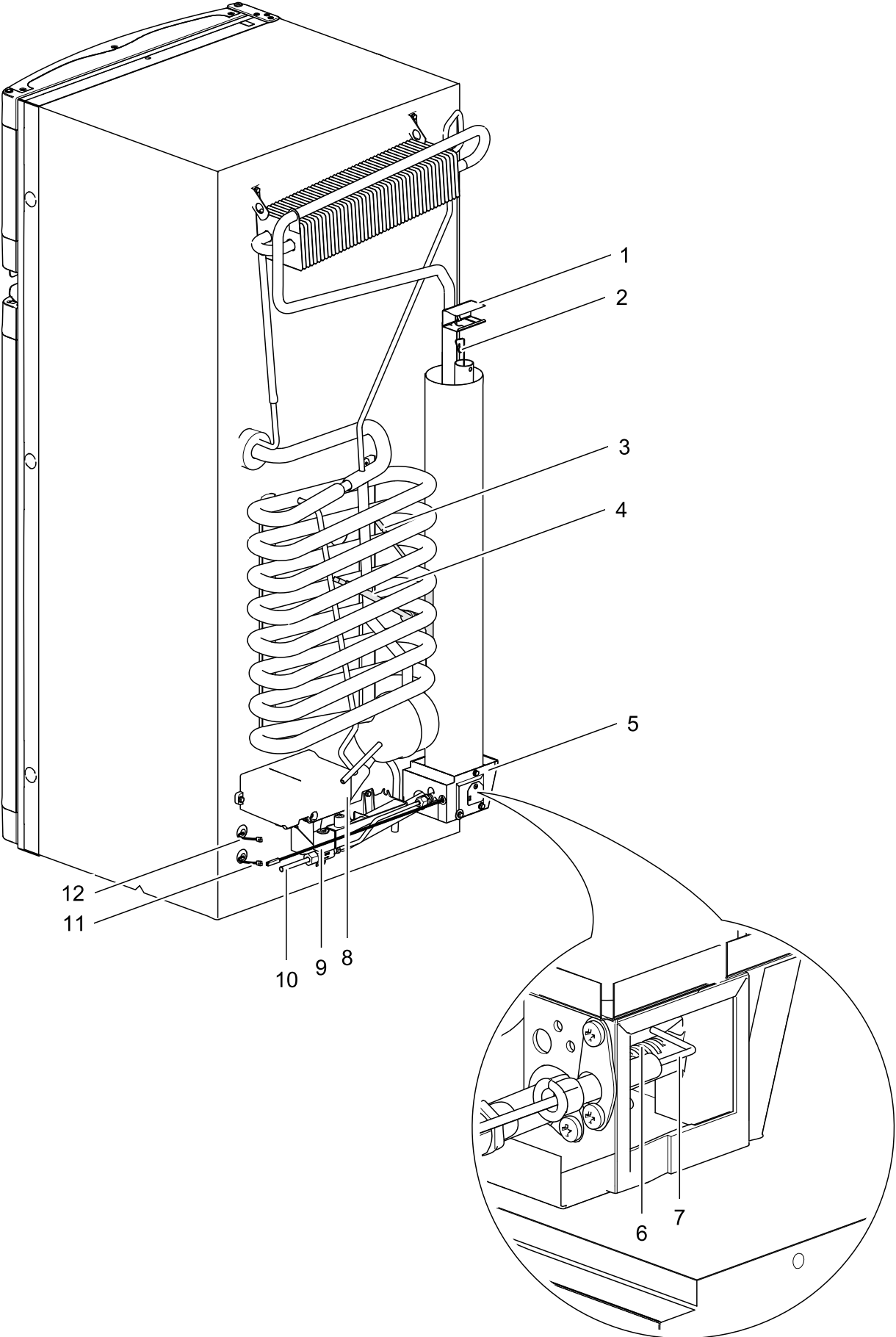
N3175 Front – LE996

| | | Single spare part number | Assembly spare part number | Items included |
|----|-------------------------|--------------------------------|----------------------------|----------------|
| 1 | Storage strap | 62698607 | 62698507 (Light grey) | |
| 2 | Latch | | 626985136 (dark grey) | 1, 2, 3 |
| 3 | Strike plate | | 62698527 (Black) | |
| 4 | Pocket cover | | | |
| 5 | Hinge center | | | |
| 6 | Hinge plate | | | |
| 7 | Cap | 62362208 (Contains 2 caps) | | |
| 8 | Cap freezer bolt | 62447908 (Contains 12 caps) | | |
| 9 | Shelf freezer H | 69084308 | | |
| 10 | Ice cube tray | | | |
| 11 | Control panel LED/LCD | | | |
| 12 | Fin | | | |
| 13 | Shelf K | 69084408 | | |
| 14 | Clip shelf large | 62362508 | | |
| 15 | Fin clip | 623059 | | |
| 16 | Thermistor | 623077 | | |
| 17 | Identification label * | | | |
| 18 | Shelf J (2x) | 69084508 | | |
| 19 | Clip shelf large (2x) | 62362508 | | |
| 20 | Vegetable bin | 69082908 | | |
| 21 | Latch bottom | 62400127 | | |
| 22 | Hinge plate | | | |
| 23 | Door bin curved wide | 69084208 | | |
| 24 | Bottle retainer | 62698912 | | |
| 25 | Door bin curved shallow | 69084108 | | |

* When requesting information about spare parts for your fridge, be sure to always provide its serial number. You can find it below the barcode on the identification label.



N3175 Back



N3175 Back – LE1002

| | Single spare part number | Assembly spare part number | Items included |
|----|---|----------------------------|----------------|
| 1 | Heat cap | 690839 | |
| 2 | Heat diffuser | | |
| 3 | Heater AC | 633573 | |
| 4 | Heater DC | 633572 | |
| 5 | Heater box | | |
| 6 | Burner assembly | 623058 | |
| 7 | Spark electrode | 690840 | |
| 8 | Power control board (Housing included) | 690811 | |
| 9 | Gas valve | 690810 | |
| 10 | Gas pipe | | |
| 11 | Thermistor cable (Connectors included) | 690853 | |
| | Loose connector temp. sense cable (power board side) | 690855 | |
| 12 | Communication cable (Connectors included) | 690854 | |
| | Loose connector comm. cable (power board side) | 690856 | |

