

THETFORD

SPARE PARTS LIST SANITATION

Index

Porta Potti toilets

Cassette toilets

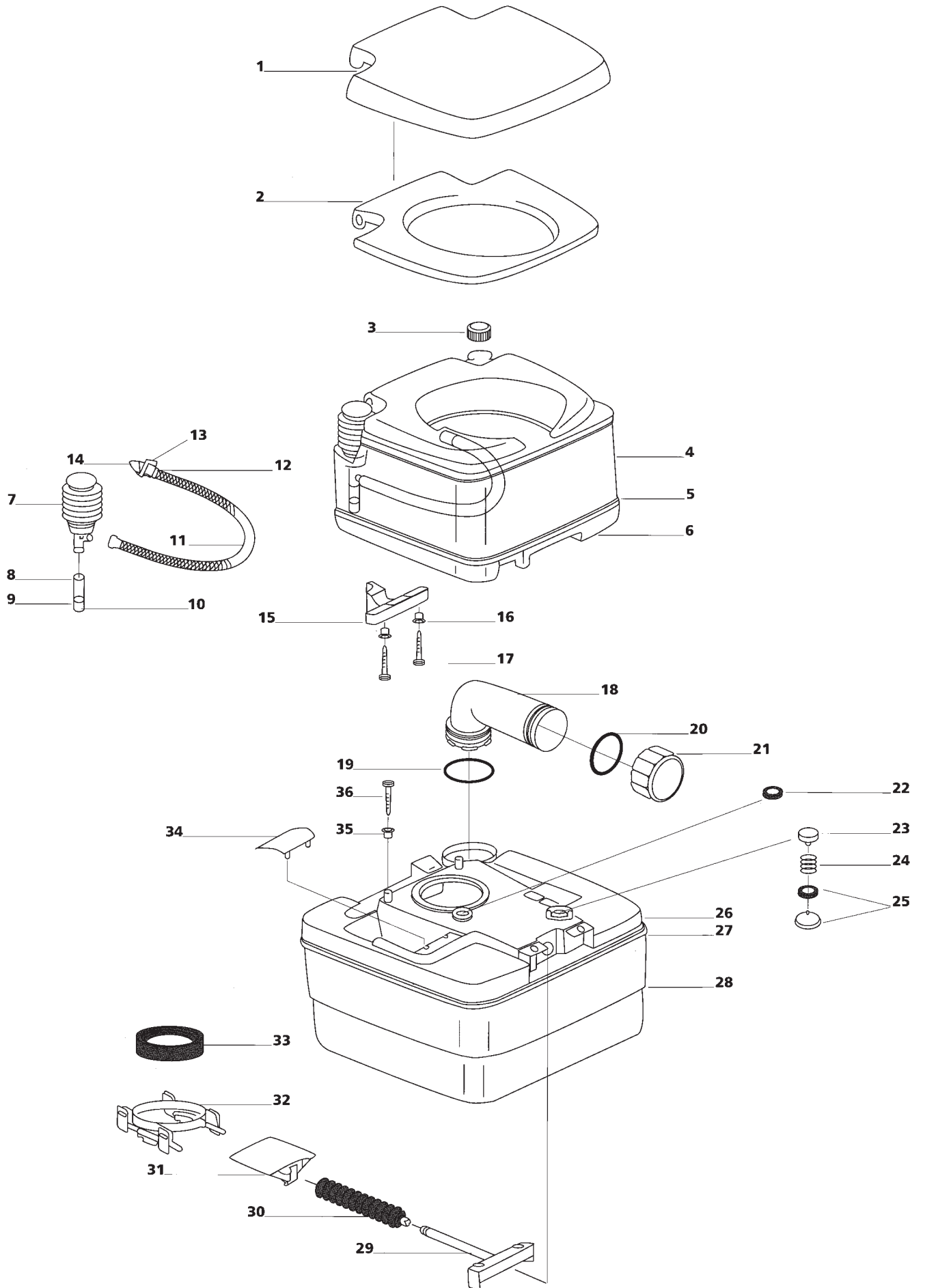
Aqua Magic/Electra Magic

Accessoires

Vocabulary

Colourindex

Porta Potti 145/165



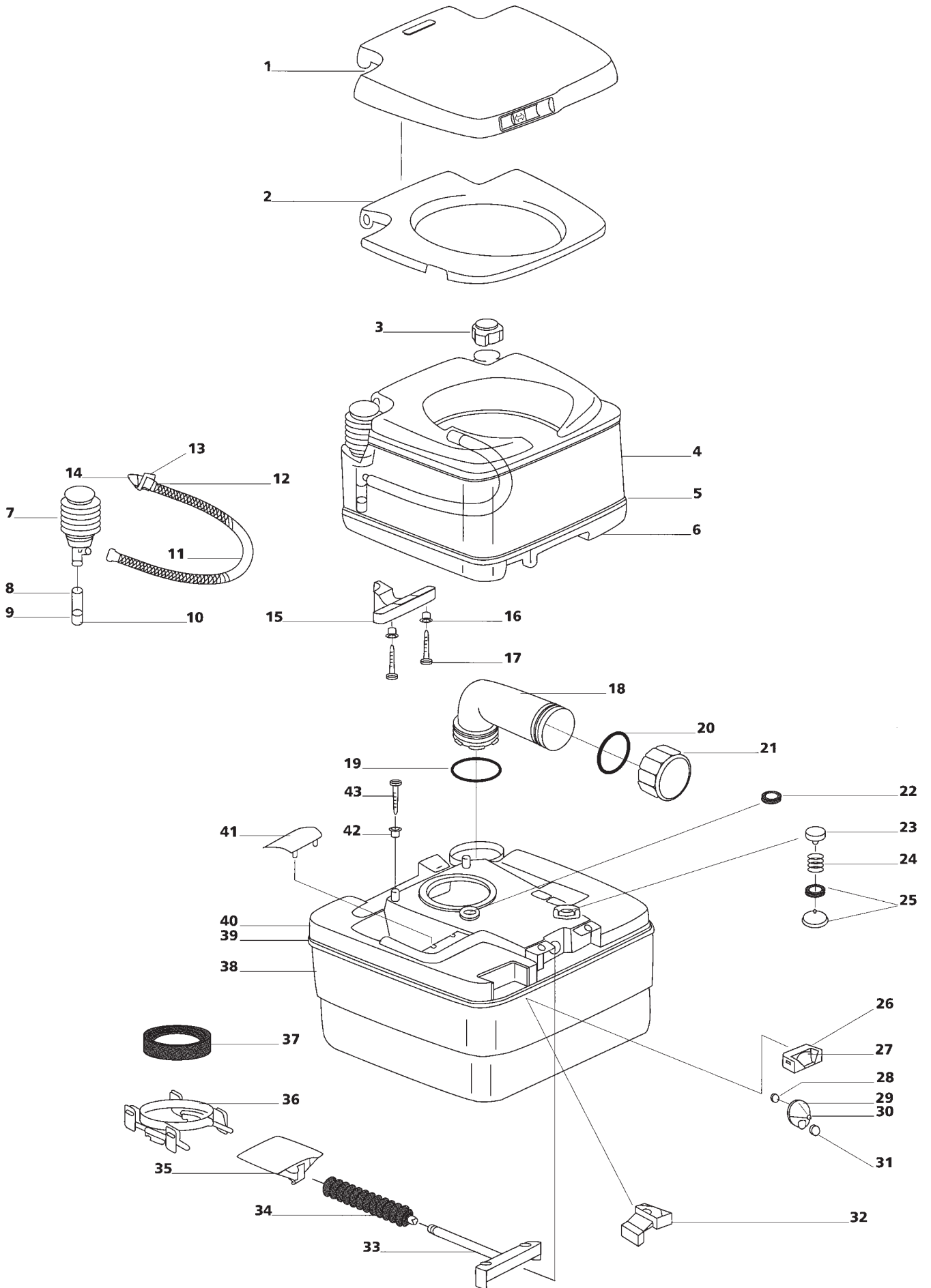
Porta Potti 145/165

Spare part	Single spare part number	Assembly spare part number	Available in colour number
1. Cover		07331	44/68 (Elegance)
2. Seat			
3. Waterfill cap	12901		79
4. Watertank upper			
5. Weld watertank			
6. Watertank lower			
7. Bellow	07862		62/79
8. Inlet tube		07024	
9. Check valve body			
10. Check valve flapper			
11. Flush tube			
12. Spring-seal-plunger		07031	62/79
13. O-ring			
14. Nozzle			
15. Clasp handle			
16. Clasp spacer			
17. Screw			
18. Pour out Spout		07492	62
19. O-ring (+20.)	16195		
20. Capseal			
21. Dump cap (+20.)	07493		62
22. Ventseal	07102		
23. Vent button			
24. Spring		07524	62/79
25. Seal retainer			
26. Holdingtank upper			
27. Weld holdingtank			
28. Holdingtank lower			
29. Valve handle			
30. Boot seal			
31. Blade			
32. Retainer			
33. Lipseal	07101		
34. Clip retainer			
35. Clasp spacer			
36. Screw			

Porta Potti 145	Watertank complete	07471 (excl. Seat and Cover)	44
	Holdingtank complete	07475	44
Porta Potti 165	Watertank complete	07471 (excl. Seat and Cover)	44
	Holdingtank complete	07476	44

Attention: For colour Elegance (grey)		Before august 1994	After august 1994
Porta Potti 145	Watertank complete	07471	07471 68
	Holdingtank complete	25813	16791
Porta Potti 165	Watertank complete	07471	07471 68
	Holdingtank complete	25814	07476 68

Porta Potti 235/245/265

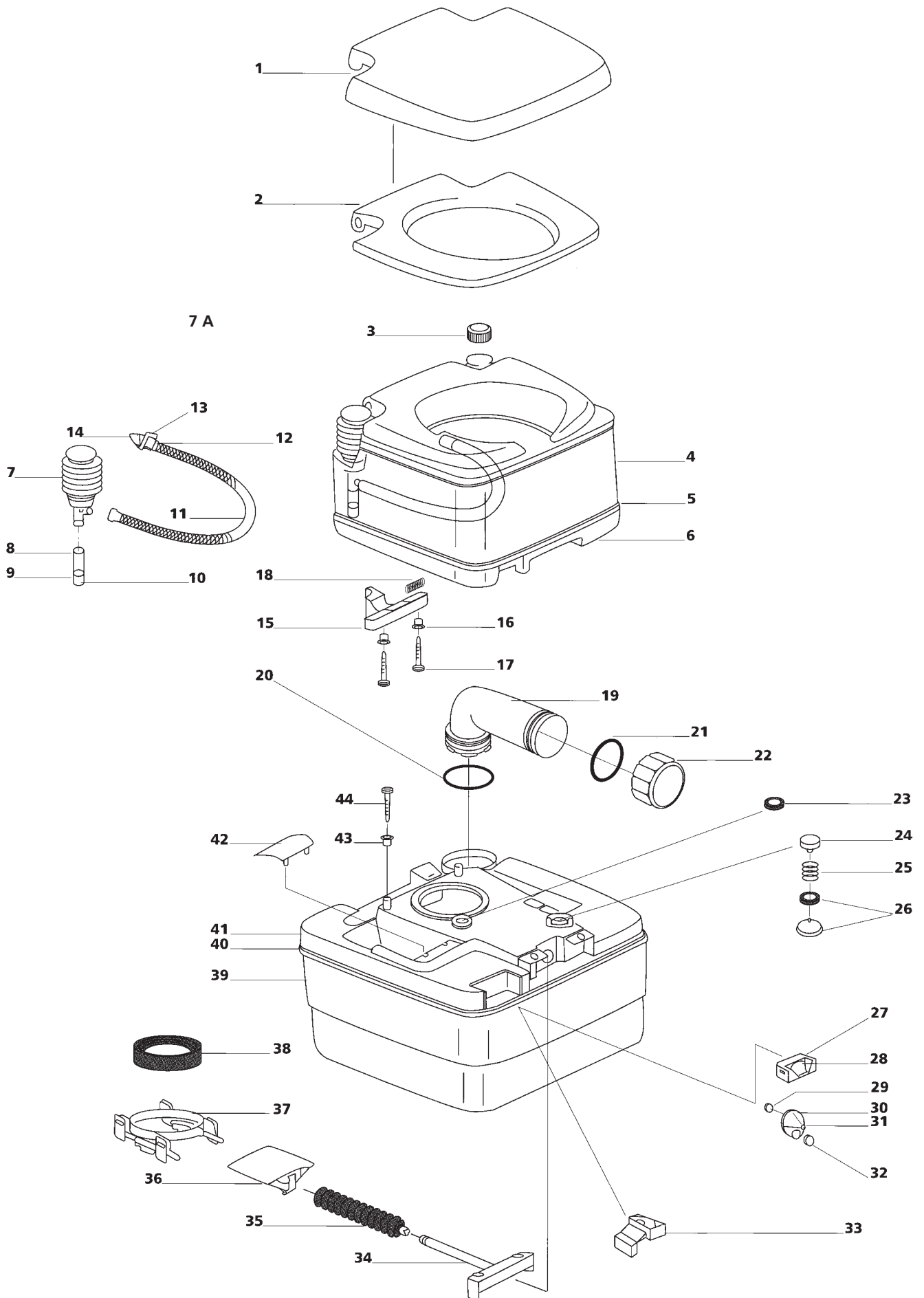


Porta Potti 235/245/265

Spare part	Single spare part number	Assembly spare part number	Available in colour number
1. Cover		07317	44/70
2. Seat		(PP 235) 07220	44/70
3. Waterfill cap	25804		70
4. Watertank upper			
5. Weld watertank			
6. Watertank lower			
7. Bellow	07862		62/70
8. Inlet tube		07024	
9. Check valve body		(PP 235) 07016	
10. Check valve flapper			
11. Flush tube			
12. Spring-seal-plunger		07031	62/79
13. O-ring			
14. Nozzle			
15. Clasp handle			
16. Clasp spacer			
17. Screw			
18. Pour out Spout		07492	45/70
19. O-ring (+20.)	16195		
20. Capseal			
21. Dump cap (+20.)	07493		70
22. Ventseal	07102		
23. Vent button			
24. Spring		07524	62/79
25. Seal retainer			
26. Bezel			
27. Lens			
28. Weight			
29. Decal level indicator			
30. Dial			
31. Magnet			
32. Float arm	21322		
33. Valve handle			
34. Boot seal			
35. Blade			
36. Retainer			
37. Lipseal	07101		
38. Holdingtank lower			
39. Weld holdingtank			
40. Holdingtank upper			
41. Clip retainer			
42. Clasp spacer			
43. Screw			
Porta Potti 235	Watertank complete	07212 (excl. Seat and Cover)	45/70
	Holdingtank complete	07213	45/70
Porta Potti 245	Watertank complete	07397 (excl. Seat and Cover)	45/70
	Holdingtank complete	07473	45/70
Porta Potti 265	Watertank complete	07397 (excl. Seat and Cover)	45/70
	Holdingtank complete	07474	45/70

For colournumber see page 68

Porta Potti 335/345/365



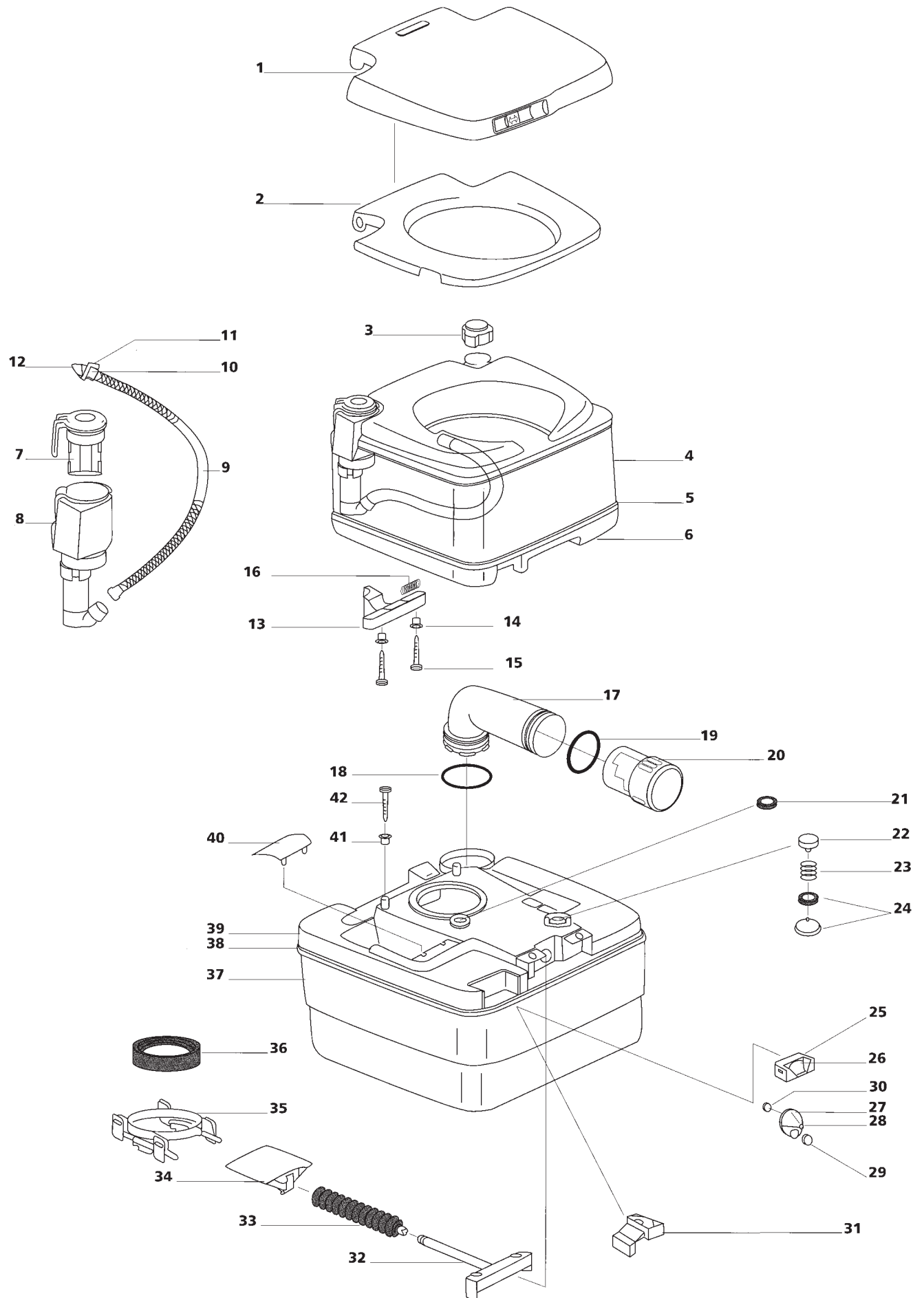
Porta Potti 335/345/365

Spare part	Single spare part number	Assembly spare part number	Available in colour number
1. Cover		07331	68/79
2. Seat		(PP 335) 07220	79
3. Waterfill cap	12901		79
4. Watertank upper			
5. Weld watertank			
6. Watertank lower			
7. Bellow	07862		62
7a. Piston pump*	25817 (PP335) 25818		79 68/79
8. Inlet tube		07024	
9. Check valve body		(PP 335) 07016	
10. Check valve flapper			
11. Flush tube			
12. Spring-seal-plunger		07031	62/79
13. O-ring			
14. Nozzle			
15. Clasp handle			
16. Clasp spacer			
17. Screw			
18. Spring			
19. Pour out Spout		07492	69/88
20. O-ring (+ 21.)	16195		
21. Capseal			
22. Dump cap (+ 21.)	25803		79
23. Ventseal	07102		
24. Vent button			
25. Spring		07524	62/79
26. Seal retainer			
27. Bezel			
28. Lens			
29. Weight			
30. Decal level indicator			
31. Dial			
32. Magnet			
33. Float arm	21322		
34. Valve handle			
35. Boot seal			
36. Blade			
37. Retainer			
38. Lipseal	07101		
39. Holdingtank lower			
40. Weld holdingtank			
41. Holdingtank upper			
42. Clip retainer			
43. Clasp spacer			
44. Screw			
Porta Potti 335	Watertank complete	07212 (excl. Seat and Cover)	79
	Holdingtank complete	25800	79
Porta Potti 345	Watertank complete	07471 (excl. Seat and Cover)	79
	Holdingtank complete	25801	79
Porta Potti 345	Watertank complete	07471 (excl. Seat and Cover)	68
	Holdingtank complete	25801	68
Porta Potti 365	Watertank complete	07471 (excl. Seat and Cover)	79
	Holdingtank complete	25802	79
Porta Potti 365	Watertank complete	07471 (excl. Seat and Cover)	68
	Holdingtank complete	25802	68

* Toilets produced after August 2005.

For colournumber see page 68

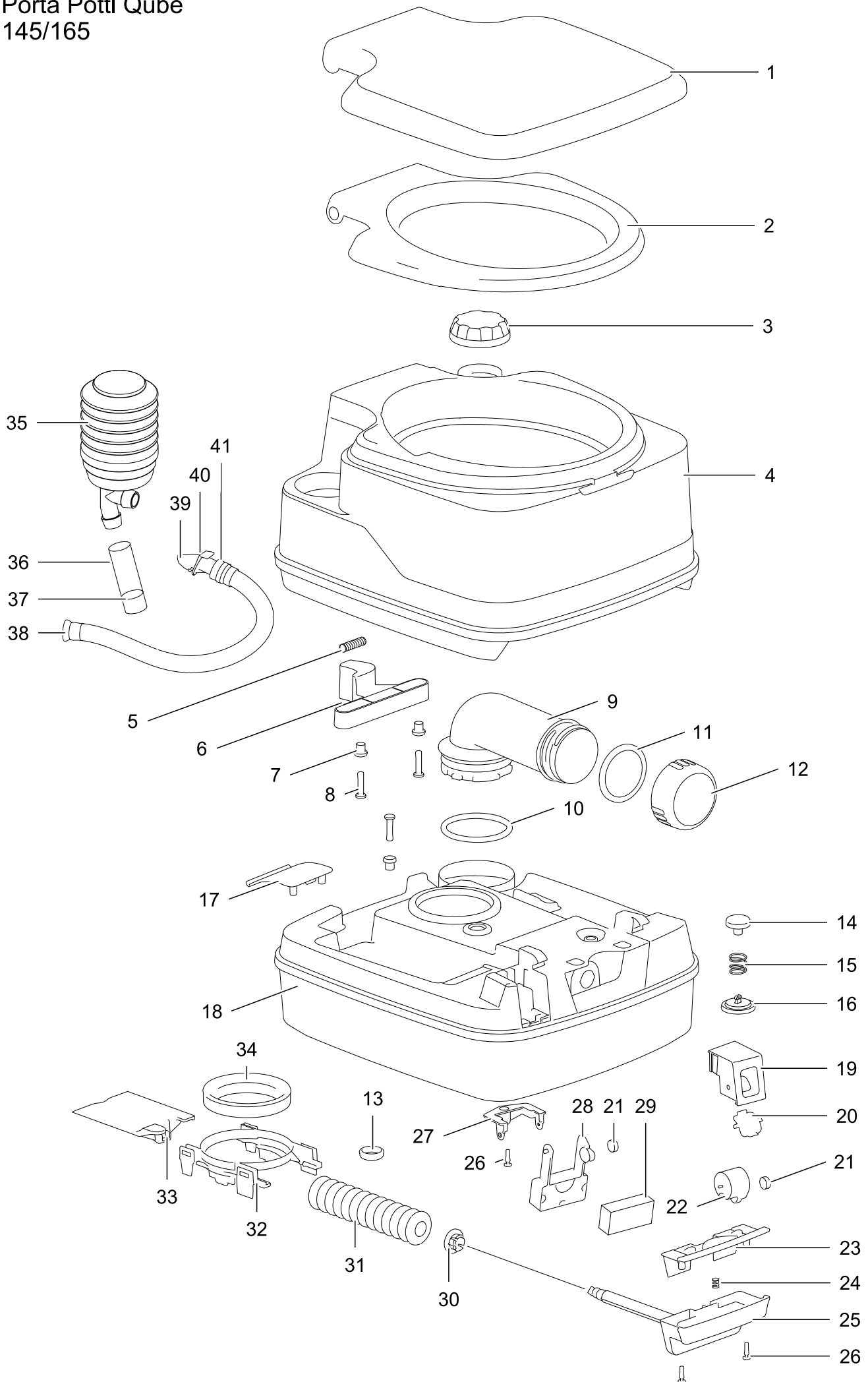
Porta Potti 465



Porta Potti 465

Spare part	Single spare part number	Assembly spare part number	Available in colour number
1. Cover		07317	79/89
2. Seat			
3. Waterfill cap	25804		79/89
4. Watertank upper			
5. Weld watertank			
6. Watertank lower			
7. Button housing	25806		79/89
8. Pump housing	25807		79/89
9. Flush tube			
10. Plunger/pin/ball/retainer magnet/spring/striker pin seal check valve		25808	79/89
11. O-ring			
12. Nozzle			
13. Clasp handle			
14. Clasp spacer			
15. Screw			
16. Spring			
17. Pour out Spout		25809	88/90
18. O-ring (+19.)	16195		
19. Capseal			
20. Measuring cup (+19.)	25810		79/89
21. Ventseal	07102		
22. Vent button			
23. Spring		07524	79/89
24. Seal retainer			
25. Bezel			
26. Lens			
27. Decal level indicator			
28. Dial			
29. Magnet			
30. Weight			
31. Float arm	21322		
32. Valve handle			
33. Boot seal			
34. Blade			
35. Retainer			
36. Lipseal	07101		
37. Holdingtank lower			
38. Weld holdingtank			
39. Holdingtank upper			
40. Clip retainer			
41. Clasp spacer			
42. Screw			
Porta Potti 465	Watertank complete	25805 (excl. Seat and Cover)	79
	Holdingtank complete	25811	79
Porta Potti 465	Watertank complete	25805 (excl. Seat and Cover)	89
	Holdingtank complete	25811	89

Porta Potti Qube
145/165



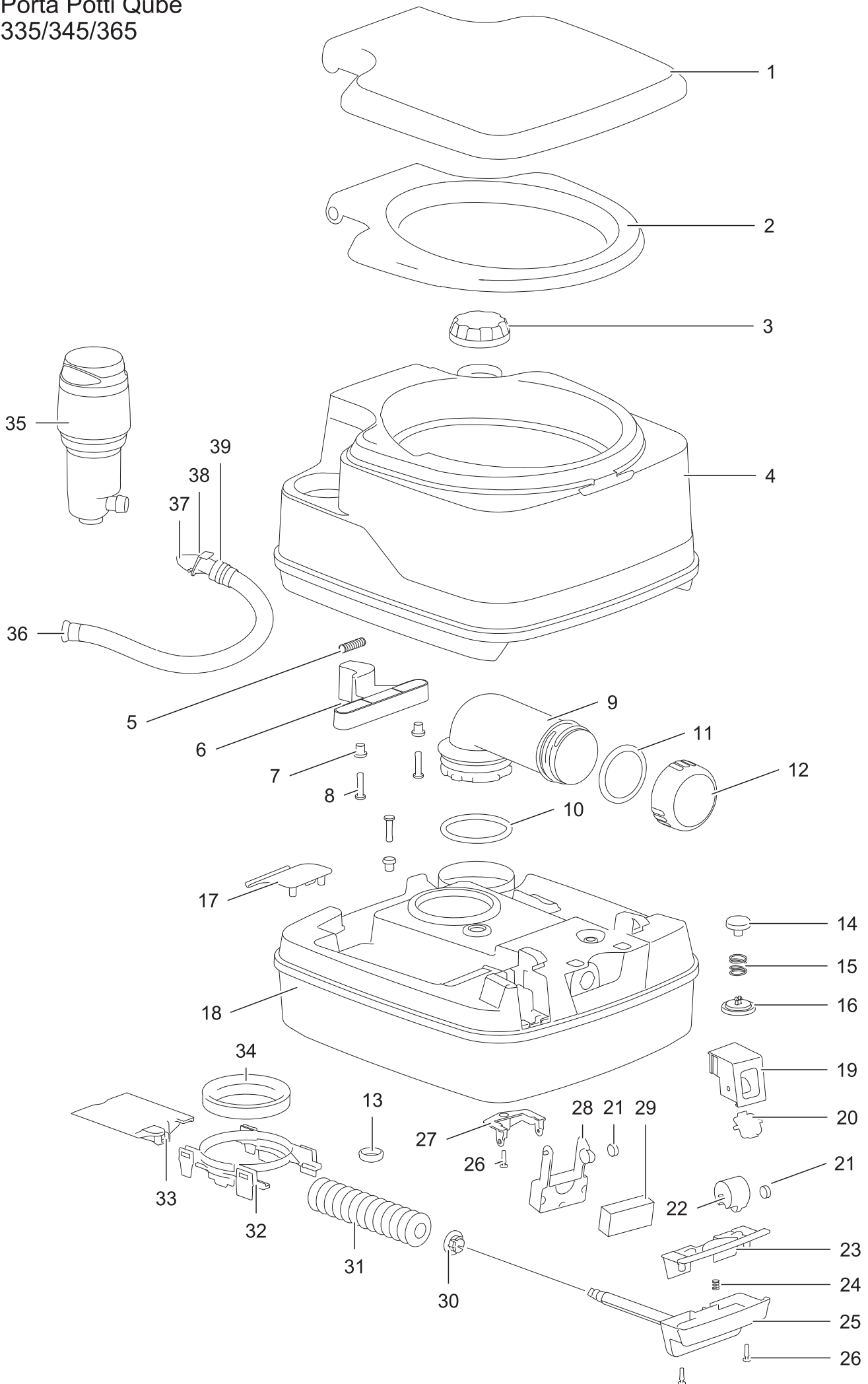
PP Qube 145/165

Single spare part number

Assembly spare part number

1	cover		92903111 (Signal white) 9290366 (Light ivory)
2	Seat		9290368 (Grey white) 92903130 (Ruby red) 92903133 (Agate grey)
3	Cap water fill		92905111 (Signal white) 9290566 (Light ivory) 9290568 (Grey white) 92905130 (Ruby red) 92905133 (Agate grey)
4	Water tank (bellow pump)		
5	Spring		
6	Clasp		
7	Clasp spacer		
8	Screw		
9	Pour out Spout		9290707 (Traffic grey) 9290738 (Grey beige)
10	O-ring		92907132 (Signal black) 9290774 (Moon grey)
11	Seal	92906111	
12	Cap pour out spout		
13	Vent seal	07102	
14	Vent button		
15	Spring		92407111
16	Vent button seal		
17	Clip		
18	Waste holding tank		
19	Cover level indicator		
20	Side glass level indicator		9290838
21	Magnet		
22	Dial		
23	Cover valve handle		
24	Spring valve handle		
25	Valve handle		
26	Screw		
27	Float retainer		
28	Float arm		
29	Foam		
30	Bushing slotted		
31	Boot seal		
32	Retainer blade		
33	Blade		
34	Lipseal	07101	
35	Bellow	0786262	
36	Tubing		
37	Check valve body/flapper		
38	Flush tube		
39	Nozzle		
40	O-ring		
41	Spring/plunger		

Porta Potti Qube
335/345/365



PP Qube 335/345/365

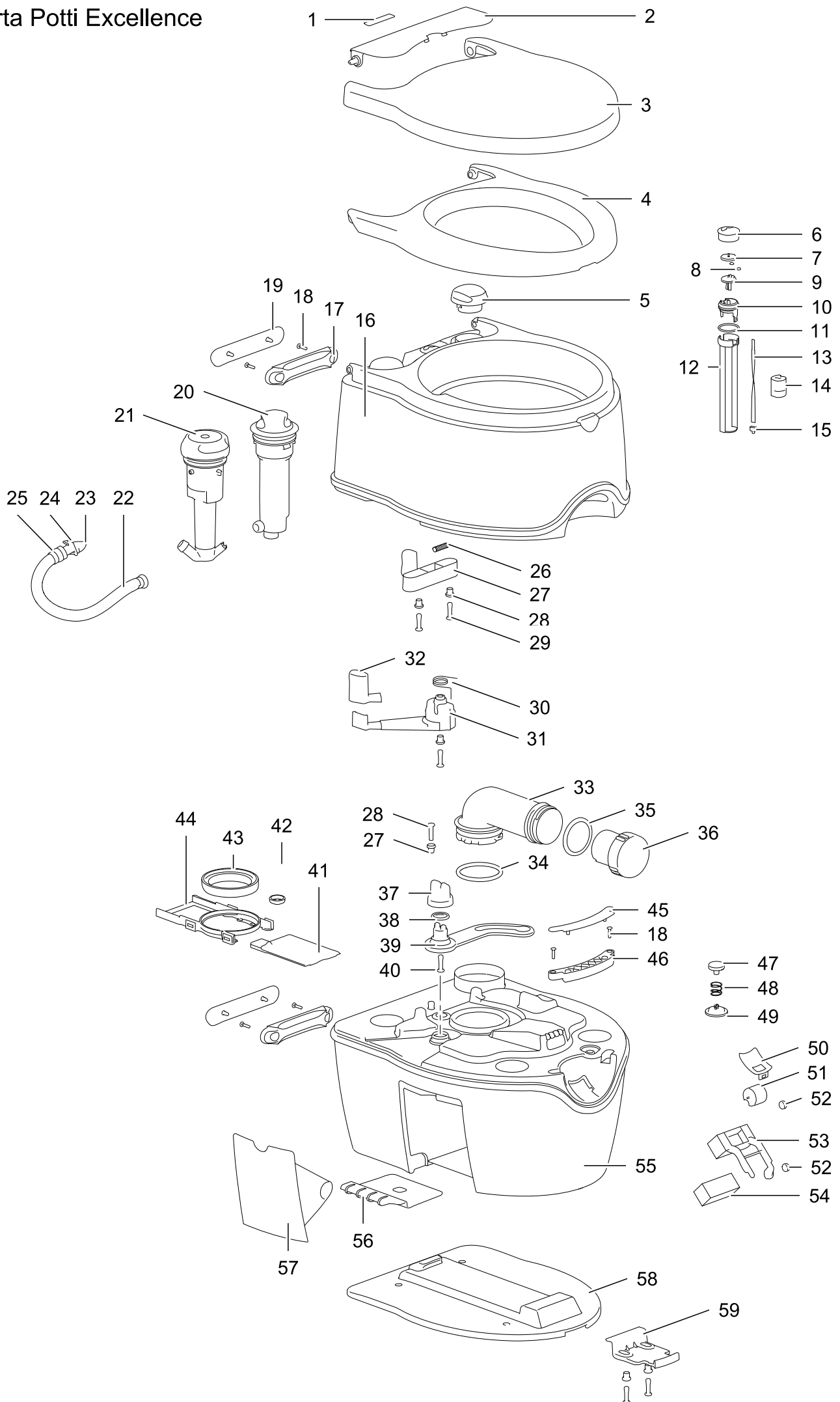
Single spare part number

Assembly spare part number

1	cover		PPQ 335 92904111 (Signal white) PPQ 345/365 92903111 (Signal white) 9290366 (Light ivory) 9290368 (Grey white) 92903130 (Ruby red) 92903133 (Agate grey)
2	Seat		92905111 (Signal white) 9290566 (Light ivory) 9290568 (Grey white) 92905130 (Ruby red) 92905133 (Agate grey)
3	Cap water fill		92905111 (Signal white) 9290566 (Light ivory) 9290568 (Grey white) 92905130 (Ruby red) 92905133 (Agate grey)
4	Water tank (Piston pump)		
5	Spring		
6	Clasp		
7	Clasp spacer		
8	Screw		
9	Pour out Spout		9290707 (Traffic grey)
10	O-ring		9290738 (Grey beige)
11	Seal	92906111	92907132 (Signal black)
12	Cap pour out spout		9290774 (Moon grey)
13	Vent seal	07102	
14	Vent button		
15	Spring		92407111
16	Vent button seal		
17	Clip		
18	Waste holding tank		
19	Cover level indicator		PPQ 335 9290976 (Light grey) 9290907 (Traffic grey)
20	Side glass level indicator		PPQ 345/365 9290838 (Grey beige)
21	Magnet		92908132 (Signal black)
22	Dial		9290874 (Moon grey)
			9290876 (Light grey)
			9290807 (Traffic grey)
23	Cover valve handle		
24	Spring valve handle		
25	Valve handle		
26	Screw		
27	Float retainer		
28	Float arm		
29	Foam		
30	Bushing slotted		
31	Boot seal		
32	Retainer blade		
33	Blade		
34	Lipseal	07101	
35	Piston pump		PPQ 335 9292111 (signal white) PPQ 345/365 92901111 (Signal white) 9290166 (Light ivory) 92901130 (Ruby red)

-
- 36 Flush tube
 - 37 Nozzle
 - 38 O-ring
 - 39 Spring/plunger

Porta Potti Excellence



PP Excellence

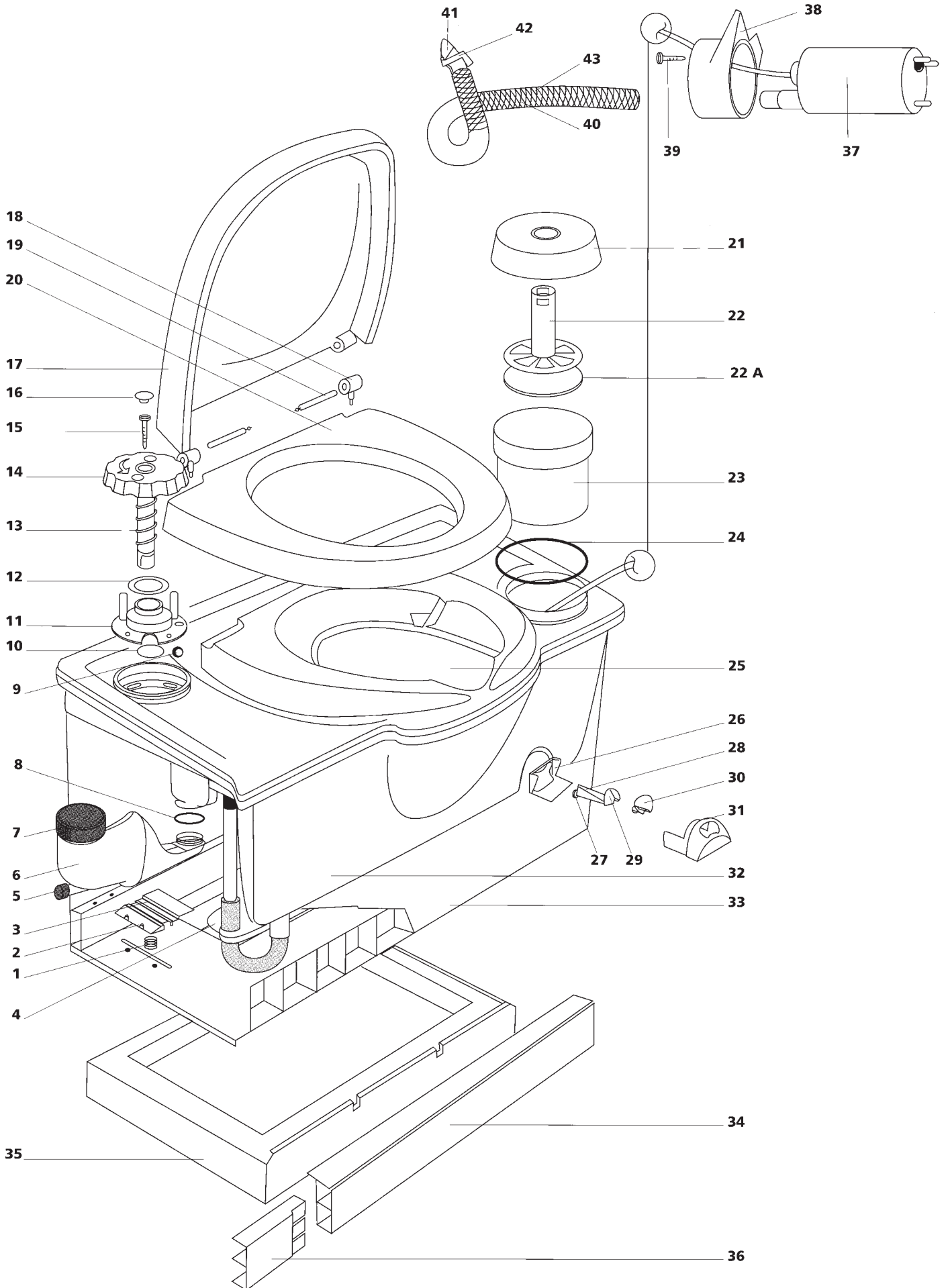
Single spare part number

Assembly spare part number

1	Sticker logo		92403111 (Signal white)
2	Small cover		9240366 (Light ivory)
3	Cover		92403130 (Ruby red)
4	Seat		92403135 (Light grey granite)
5	Cap water fill		92404111 (Signal white) 9240466 (Light ivory) 92404130 (Ruby red) 92404135 (Light grey granite)
6	Water level indicator cover		
7	Water level indicator lens		
8	Magnet		
9	Dial upper		
10	Water level indicator housing		92405111 (Signal white)
11	O-ring		9240566 (Light ivory)
12	Float guide		92405130 (Ruby red)
13	Spill		92405135 (Light grey granite)
14	Float		
15	Cap spill		
16	Water tank		
Waterfill adaptor			
92414111			
17	Carry handle back		
18	Screw		
19	Cover carry handle back		
20	Piston pump		92401111 (Signal white) 9240166 (Light ivory) 92401130 (Ruby red)
21	Electric pump		92402135 (Light grey granite) 9240207 (Traffic grey)
22	Flush tube		
23	Nozzle		
24	O-ring		
25	Spring/plunger		
26	Spring		
27	Clasp		
28	Clasp spacer		
29	Screw		
30	Spring torsion		
31	Blade handle		
32	Cap blade handle		
33	Pour out spout		
34	O-ring		9240807 (Traffic grey) 9240838 (Grey beige)
35	Seal	92406111	92408132 (Signal black)
36	Measuring cup pour out spout		
37	Blade opener		
38	Seal		
39	Blade driver		
40	Screw		
41	Blade		
42	Vent seal	07102	
43	Lip seal	07101	

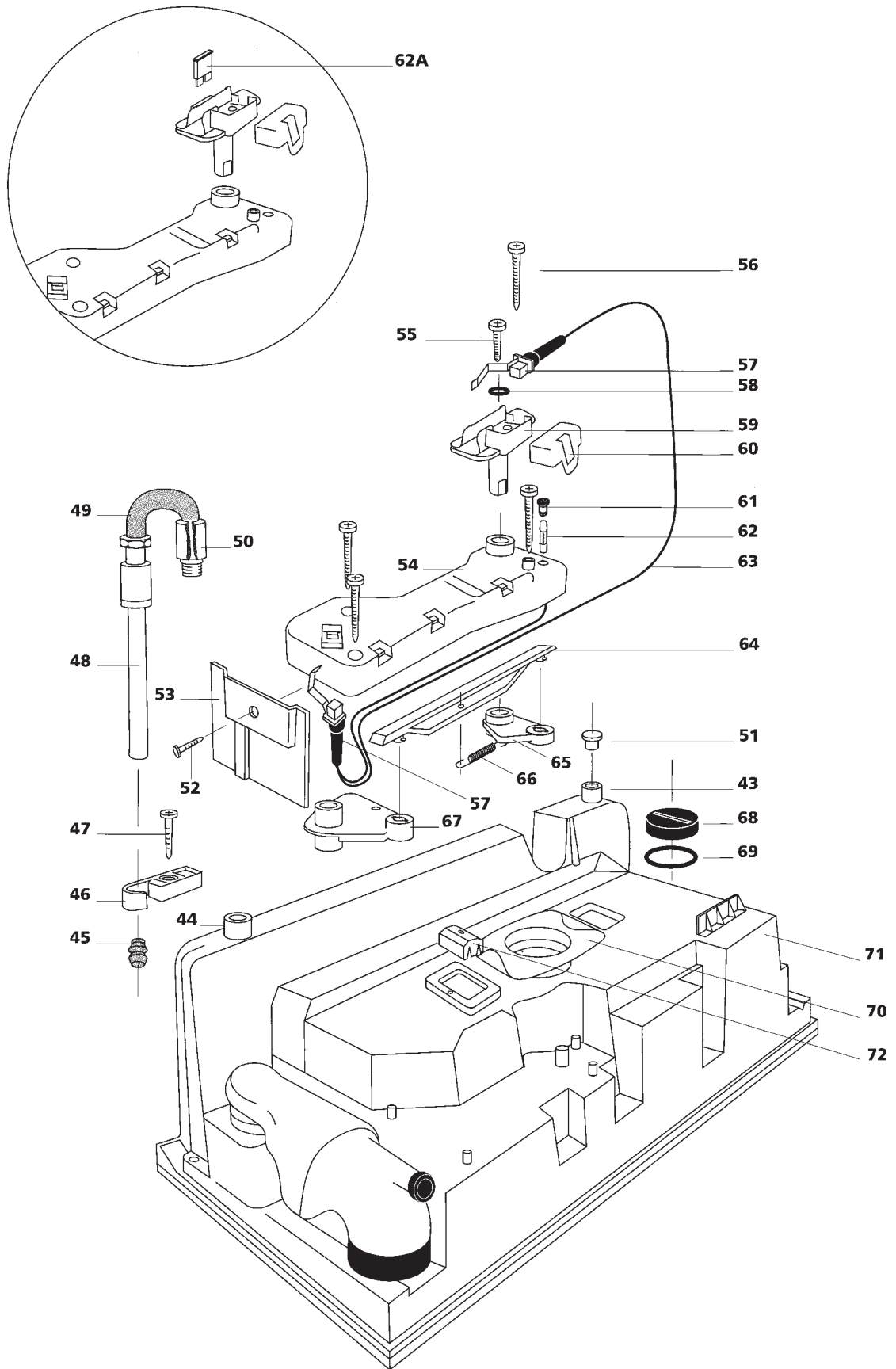
44	Blade retainer		
45	Cover carry handle front		
46	Carry handle front		
47	Vent button		
48	Spring		92407111
49	Vent buttons seal		
50	Cover level indicator		9241007 (Traffic grey)
51	Dial		9241038 (Grey beige)
			92410132 (Signal black)
			9241090 (Antracite)
52	Magnet		
53	Float bracket	92409	
54	Float foam		
55	Waste holding tank		
56	Hinge toilet roll holder		
57	Toilet roll holder		
58	Floor plate		9241507
59	Hold down kit		

Cassette C2



Cassette C2

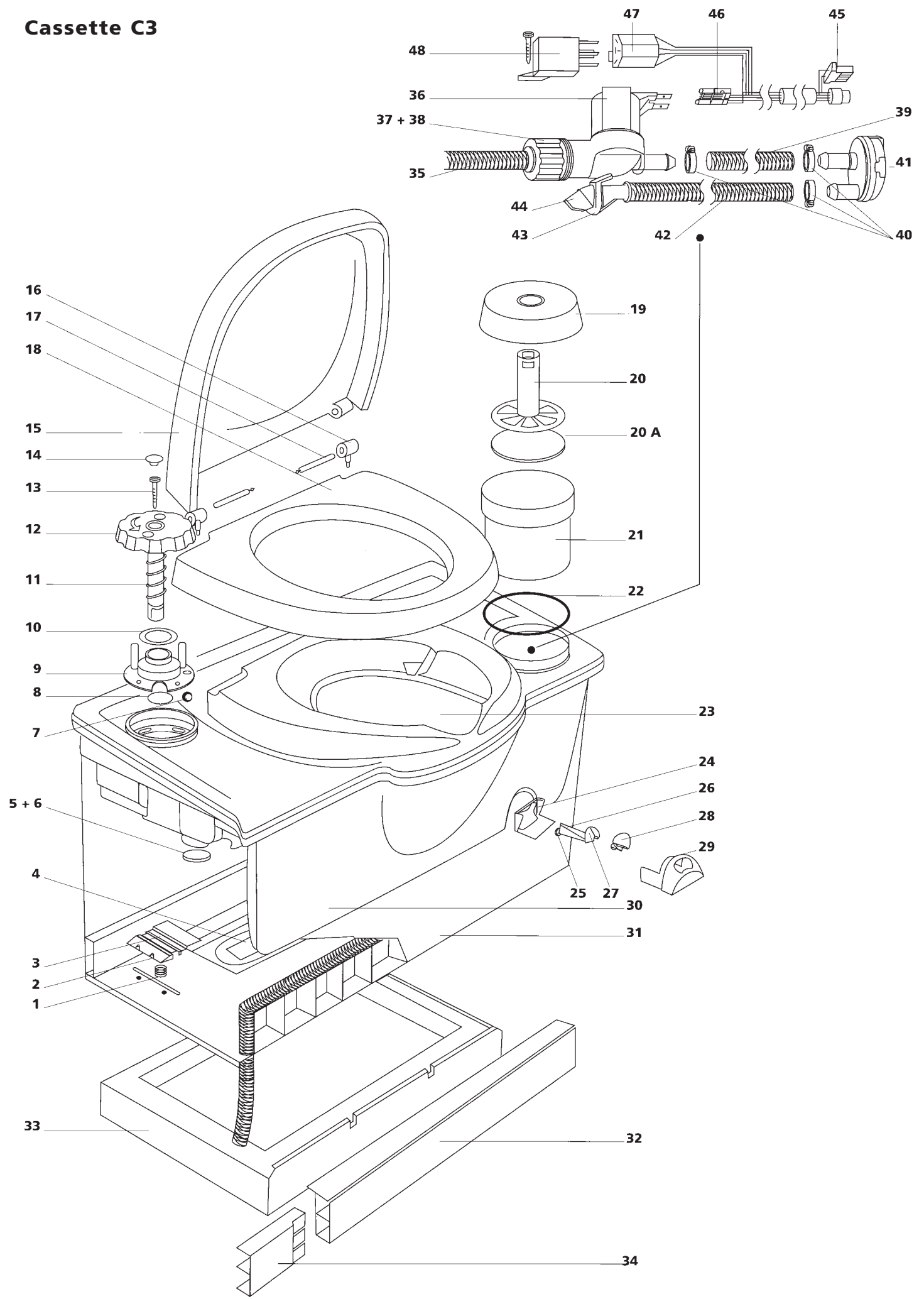
	Single spare part number	Assembly spare part number	
1	Spring clip retainer	16169	1635078
2	Clip retainer		
3	Clip		
4	Drip tray	1616678	
5	Draincap waterfillfunnel	1638578	1638174
6	Waterfillfunnel		
7	Cap waterfillfunnel	1684816	
8	O-ring		
9	Ball float		
10	O-ring		
11	Stop retainer		
12	Nylon bushing		1637762
13	Spring flush knob		
14	Flush knob		
15	Screw		
16	Plug flush knob		
17	Cover		1619462
18	Hinge post	1618362	
19	Hinge pin		
20	Seat		
21	Tissue cap		
22	Tissue holder		
22	A Tissue bracket		
23	Tissuewell		
24	O-ring		
25	Bowl		
26	Dial support		1617110 1617162
27	Magnet		
28	Level indicator dial		
29	Decal level indicator		
30	Lens		
31	Level indicator bezel		
32	Watertank		
33	Base		
34	Frontpanel		
35	Basepad		
36	Extension frontpanel	1626662	
37	Pump	16374	
38	Pump retainer		
39	Screw		
40	Flush tube		1637862
41	O-ring		
42	Nozzle		
43	Flow restrictor		
	Pump connector	21050	



Cassette C2 bench

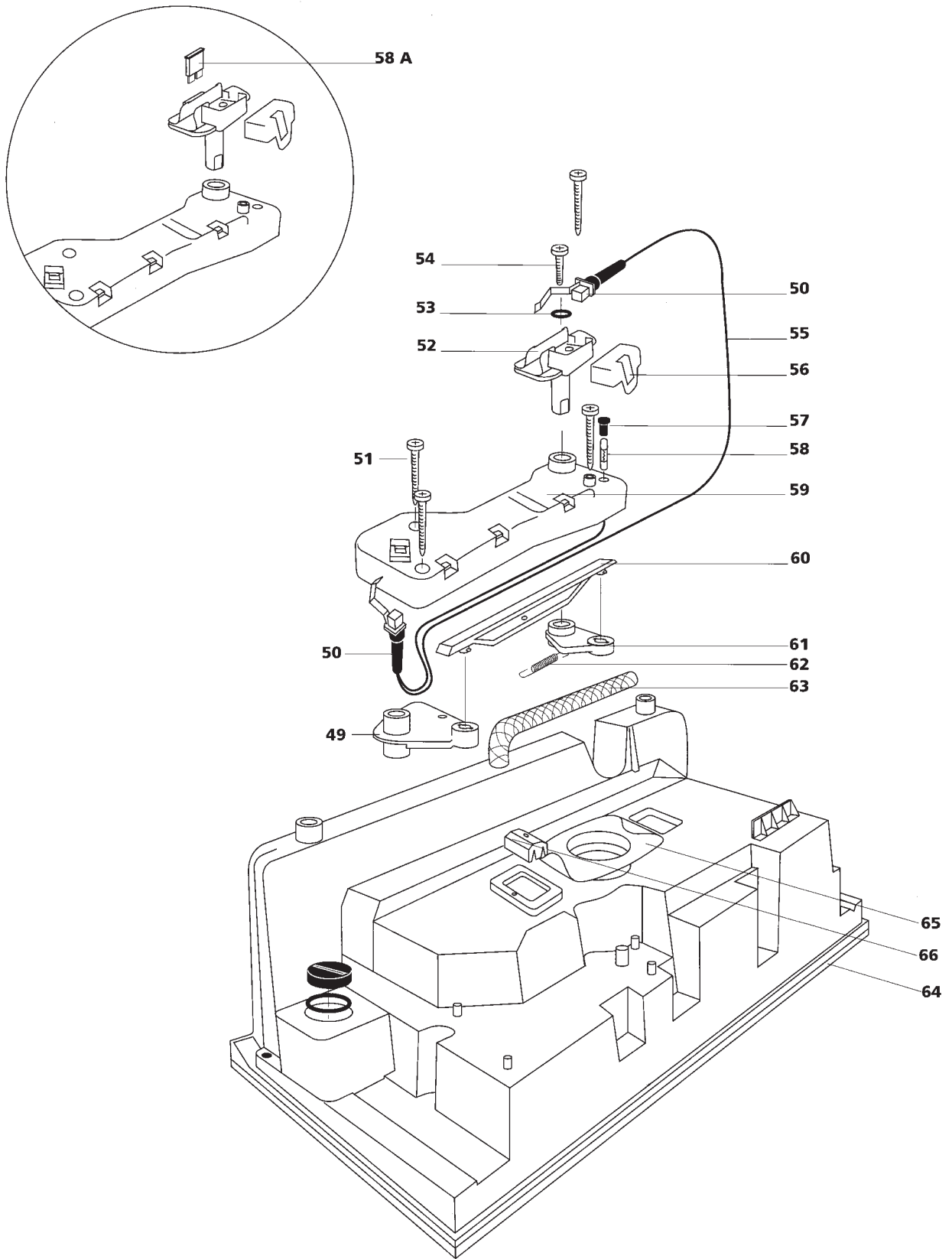
	Single spare part number	Assembly spare part number
44	Connection drain tube	
45	Drain connector	
46	Bracket	
47	Screw	
48	Sight glass	
49	Drain tube Left version	21370 (Left version)
50	Clamp collar	21371 (Right version)
51	Blind plug	
52	Skiffy fastener	
53	Splash guard	
54	Mechanism housing	
55	Screw	
56	Screw	
57	Switch	20107
58	Washer	
59	Saddle	
60	Switch cover	1639010
61	Cap fuse holder	
62	Glass fuse 3 Amp (For toilets produced before June 1994)	16391
62	A Fuse 3 Am (For toilets produced after June 1994)	21766
63	Cable	16389
64	Link	
65	Crank	
66	Spring	
67	Crank	
68	Plug fill bottle	
69	O-ring	
70	Bowl flange	
71	Bench/watertank	
72	Magnet basket	

Cassette C3



Cassette C3

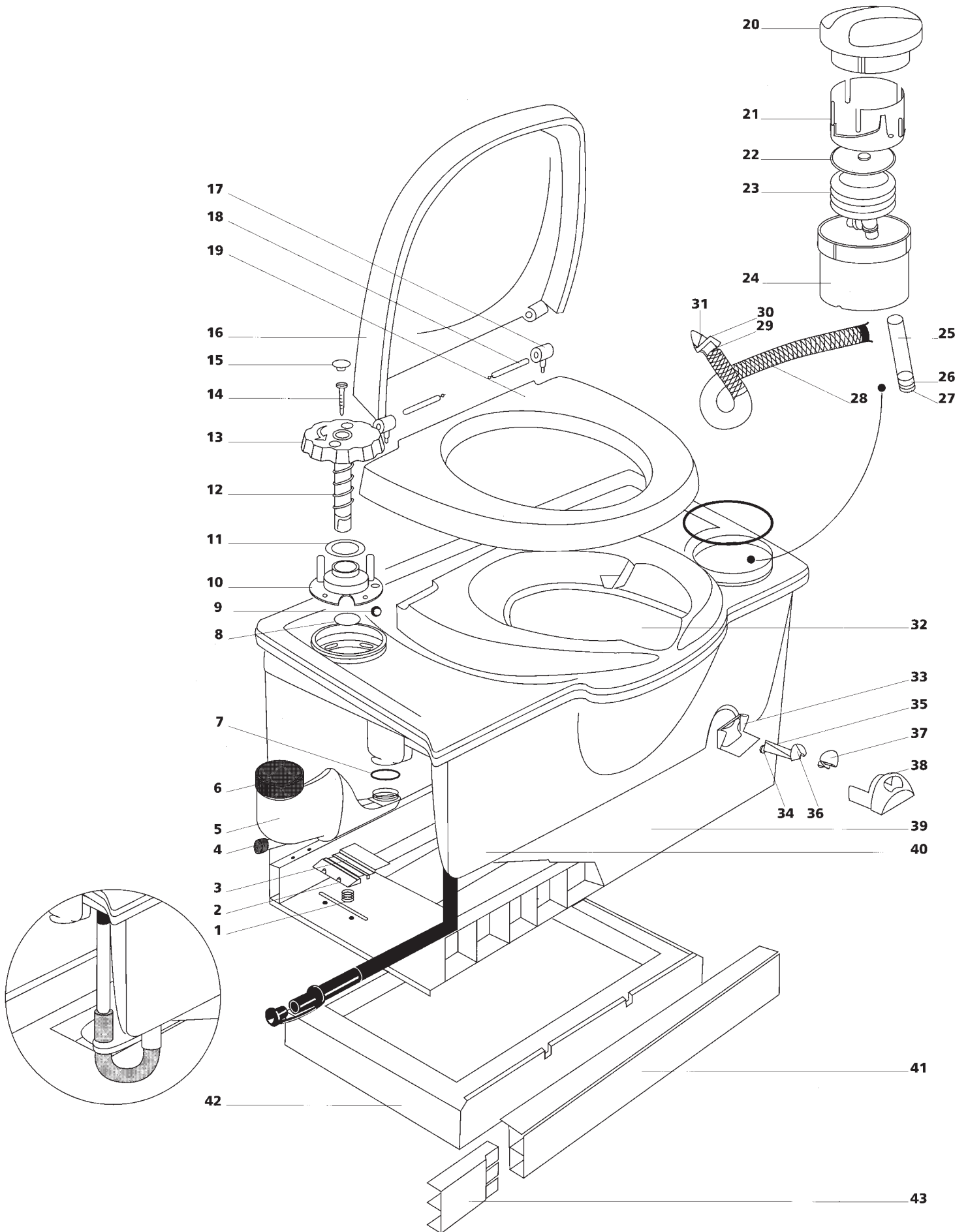
	Single spare part number	Assembly spare part number	
1	Spring clip retainer	16169	
2	Clip retainer	1635078	
3	Clip		
4	Drip tray		1616678
5	Plug fill bottle		
6	O-ring		
7	Ball float		
8	O-ring		
9	Stop retainer		
10	Nylon bushing	1637762	
11	Spring flush knob		
12	Flush knob		
13	Screw		
14	Plug flush knob		
15	Cover	1618362	
16	Hinge post		1619462
17	Hinge pin		
18	Seat		
19	Tissue cap		
20	Tissue holder		
20	A Tissue bracket		
21	Tissuewell		
22	O-ring		
23	Bowl		
24	Dial support	1617110 1617162	
25	Magnet		
26	Level indicator dial		
27	Decal level indicator		
28	Lens		
29	Level indicator bezel		
30	Bench		
31	Base		
32	Frontpanel		
33	Basepad		
34	Extension frontpanel	1626662	
35	Watersupply tube		
36	Electric valve		
37	Hose barb	23851	
38	Hose nut	23709	
39	Watertube		
40	Clamp	16833	
41	Vacuumbreaker		
42	Flush tube	2010362	
43	O-ring		
44	Nozzle		
45	Electric connection mechanism		
46	Electric connection valve		
47	Electric connection relay		
48	Relay	20106	



Cassette C3 bench

		Single spare part number	Assembly spare part number
49	Crank		1637974
50	Switch	20107	
51	Screw		
52	Saddle		
53	Washer		
54	Screw		
55	Cable	16389	
56	Switch cover	1639010	
57	Cap fuse holder		
	Glass fuse 3 Amp		
58	(For toilets produced before June 1994)	16391	
	A Fuse 3 Am		
58	(For toilets produced after June 1994)	21766	
59	Mechanism housing		
60	Link		
61	Crank		
62	Spring		
63	Watersupply tube		
64	Bench		
65	Bowlflange		
66	Magnet basket		

Cassette C4

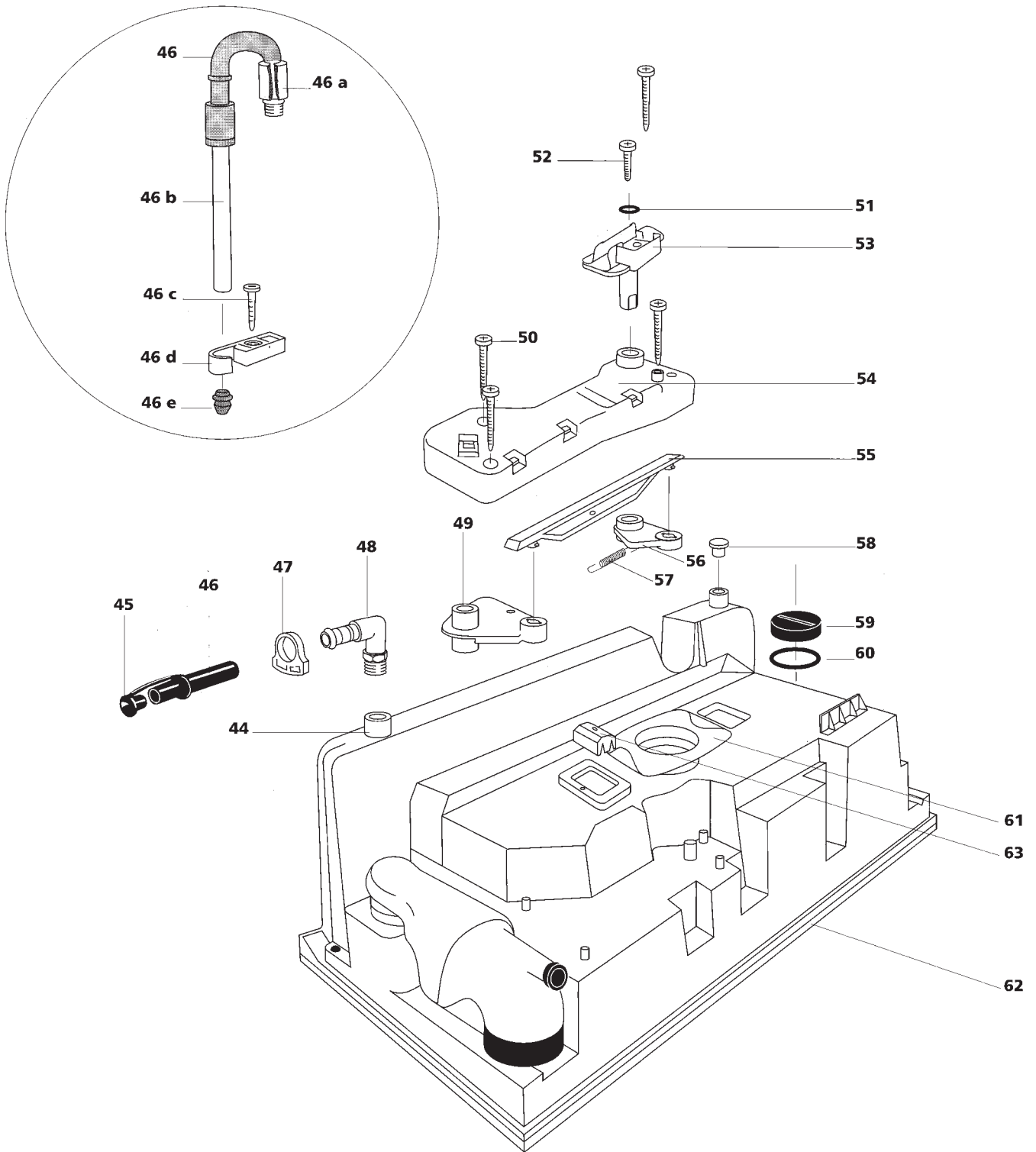


Cassette C4

Single spare part number Assembly spare part number

	Single spare part number	Assembly spare part number	
1	Spring clip retainer	16169	
2	Clip retainer	1635078	
3	Clip		
4	Draincap waterfillfunnel		1638578
5	Waterfillfunnel	1638174	
6	Cap waterfillfunnel		1684816
7	O-ring		
8	O-ring		
9	Ball float		
10	Stop retainer		
11	Nylon Bushing	1637762	
12	Spring flush knob		
13	Flush knob		
14	Screw		
15	Plug flush knob		
16	Cover		
17	Hinge post	1618362	1619462
18	Hinge pin		
19	Seat		
20	Flush cap		2029110
21	Cylinder flush		
22	Bellow cap		
23	Bellow	21065	
24	Well pump		2029162
25	Inlet tube	21066	
26	Check valve body		
27	Check valve flapper		
28	Flush tube	2029210	2029210
29	Seal/plunger/spring		
30	O-ring		
31	Nozzle		
32	Bowl		
33	Dial support	1617110	
34	Magnet		
35	Level indicator		
36	Decal level indicator		
37	Lens		
38	Level indicator bezel		
39	Base		
40	Water tank		
41	Front panel		
42	Basepad		
43	Extension front panel	1626662	

C4

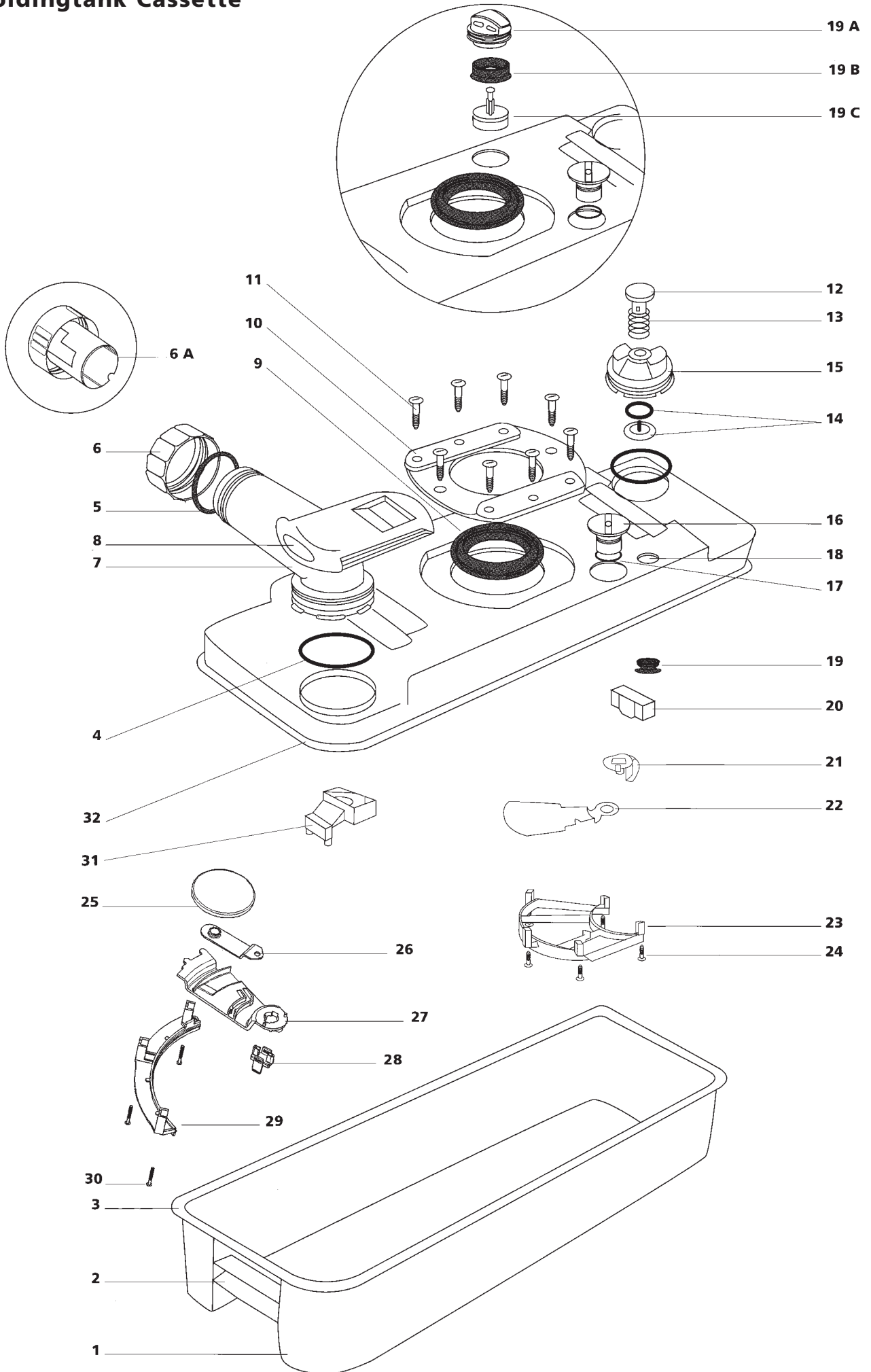


Cassette C4 bench

Spare part	Single spare part number	Assembly spare part number	Available in colour number
44. Connection draintube			
45. Draintube plug		16182	
46. Draintube			
46. A/E Draintube*	LH=21370 RH=21371		
47. Clamp			
48. Adaptor draintube			
49. Crank		20325	74
50. Screw			
51. Washer			
52. Screw			
53. Saddle			
54. Mechanism housing			
55. Link			
56. Crank			
57. Spring			
58. Blind plug			
59. Plug fill bottle			
60. O-ring			
61. Bowlflange			
62. Bench/watertank			
63. Magnet basket			

*Toilets produced after March 1998

Holdingtank Cassette



Holdingtank Cassette

Spare part	Single spare part number	Assembly spare part number	Available in colour number
1. Holdingtank lower			
2. Carry handle			
3. Weld holdingtank			
4. O-ring (+ 5.)	16195	16196	74
5. Capseal			
6. Dump cap (+ 5.)	16384		
6. A Measuring cup	25810		
7. Pour out Spout			
8. Sliding cover	21333		74
9. Lipseal ¹⁾	16175		
Lipseal ²⁾	23721		
10. Seal cover			
11. Screw			
12. Vent button		16176	74
13. Spring	07524		78
14. Seal retainer			
15. Ventplug			
16. Blade opener ³⁾		21458	74
17. Cupseal			
18. Venthole			
19. Ventseal	20339		
19. A Automatic vent upper ⁴⁾		23722	74
19. B Seal automatic vent	21528		
19. C Foam			
20. Float vent	21510		
21. Blade driver			
22. Blade			
23. Blade retainer			
24. Screw			
25. Blade	23847		
26. Blade arm			
Washer			
Screw			
27. Blade arm driver			
28. Drive arm retainer			
29. Track support			
30. Screw			
31. Float arm	21322		
32. Holdingtank upper			
Holdingtank RH complete:	21401 (Incl. Sliding cover)		74
Holdingtank LH complete:	21402 (Incl. Sliding cover)		74

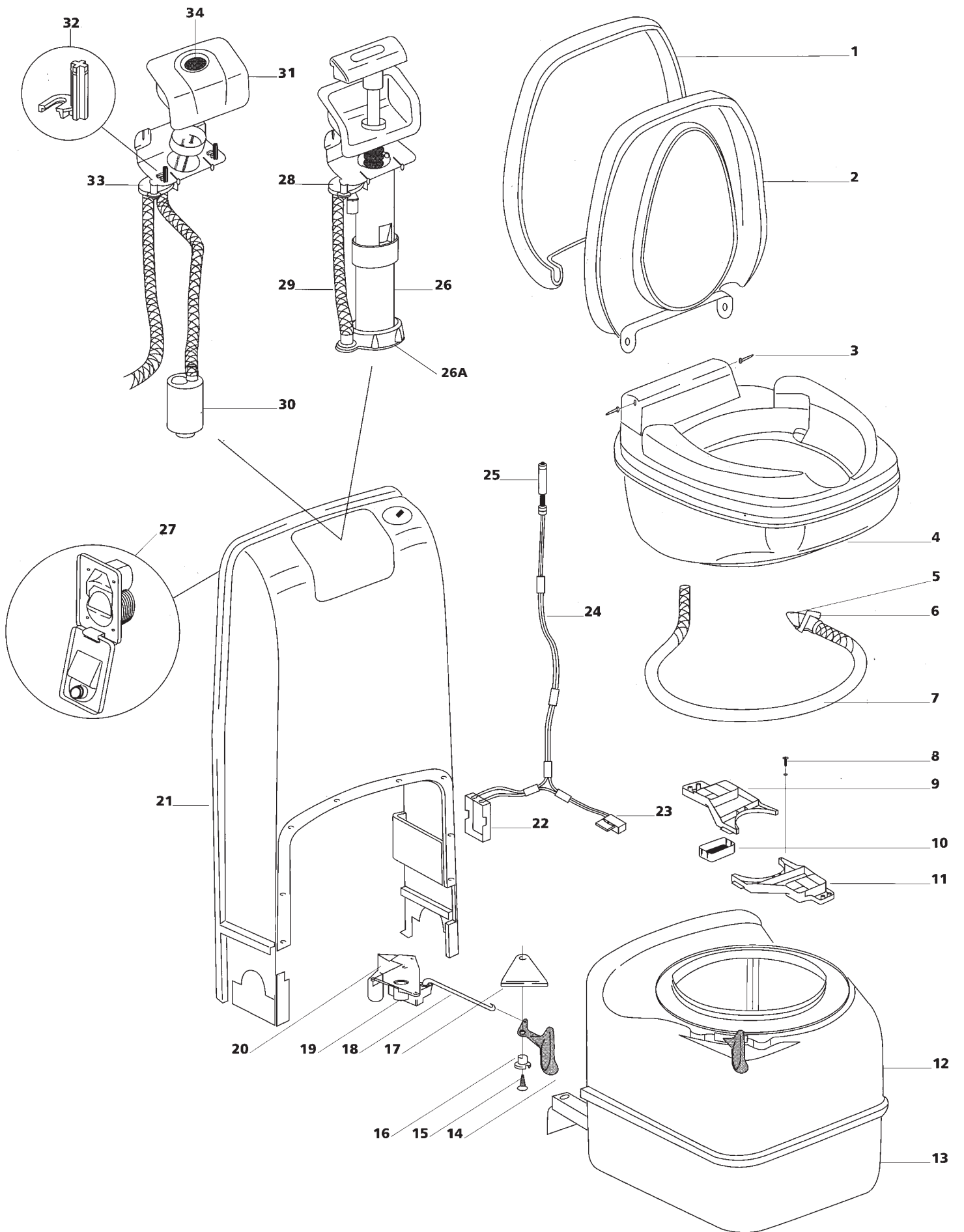
¹⁾Lipseal 16175 for toilets produced until 15 June 2000.

²⁾Lipseal 23721 for toilets produced after 15 June 2000.

³⁾Blade opener 21458-74 for toilets produced until 15 June 2000.

⁴⁾Automatic vent. 23722-74 for toilets produced after June 1993.

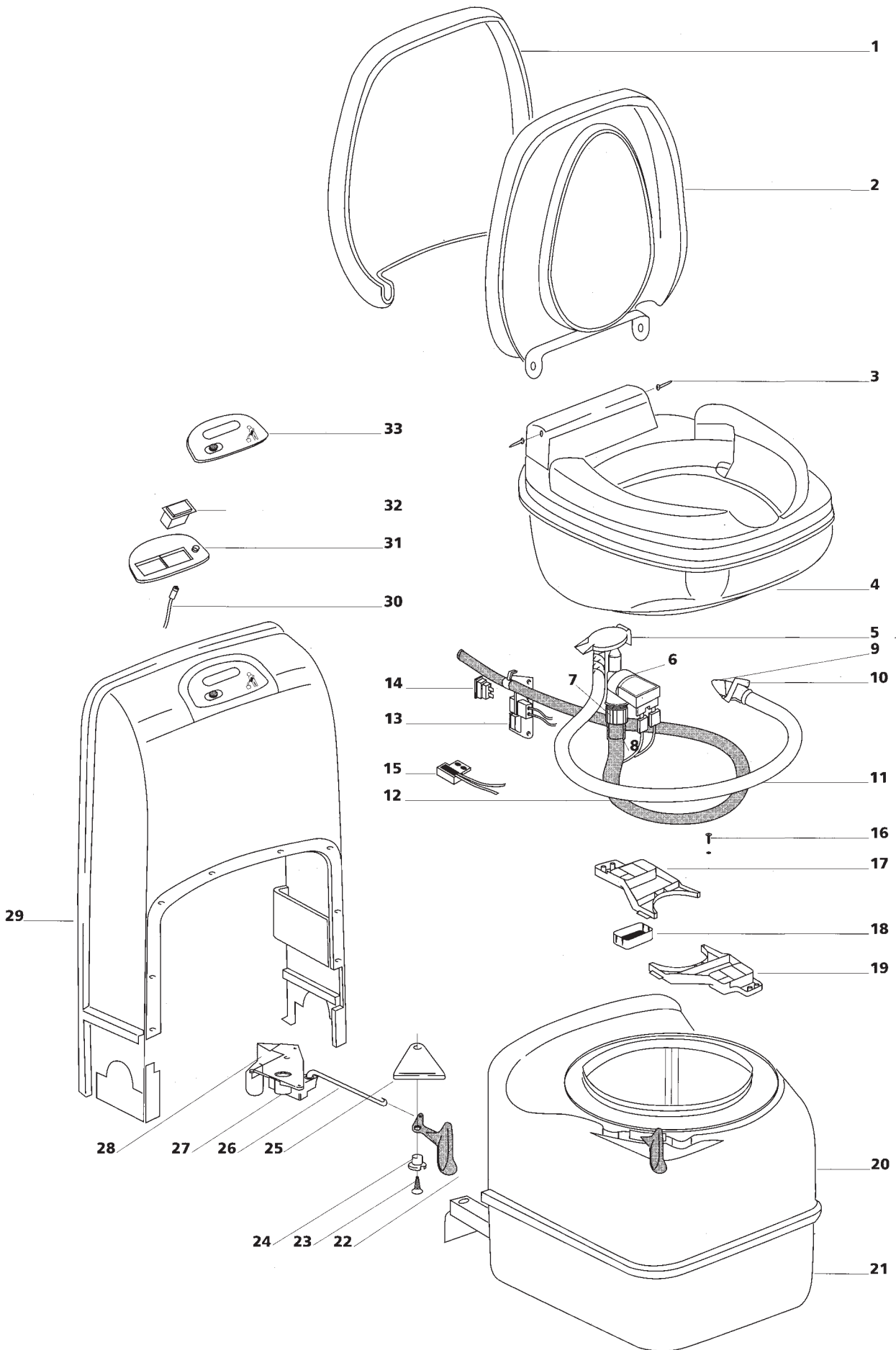
C-200 CW / CWE



C200 CW / CWE

		Single spare part number	Assembly spare part number
1	Cover		2370662
2	Seat		
3	Hinge pin	2370762	
4	Bowl		2371067
5	O-ring		
6	Nozzle		
7	Watersupply tube		
8	Screw		
9	Bowl retainer bracket		
10	Magnet basket		
11	Bowl retainer bracket		2371374
12	Base upper		
13	Base lower		
14	Handle		
15	Screw		
16	Bushing		
17	Seal handle		
18	Link		23848
19	Saddle		
20	Saddle bracket		
	Saddle bracket outside vent	23850	
21	Console		23738
22	Battery container		
23	Reed switch		
24	Wiring harness		
25	Led C-200 CW		
26	Manual pump	2373962	
26A	Pump retainer	23845	
27	Waterfill door	2379157 (Parchment) 2379180 (White) 2379184 (White grey)	
28	Vacuum breaker	16833	
29	Water tube		
30	Pump	16374	
31	Bezel		2377162
32	Adaptor bezel		
33	Vacuum breaker	16833	
34	Switch	23792	

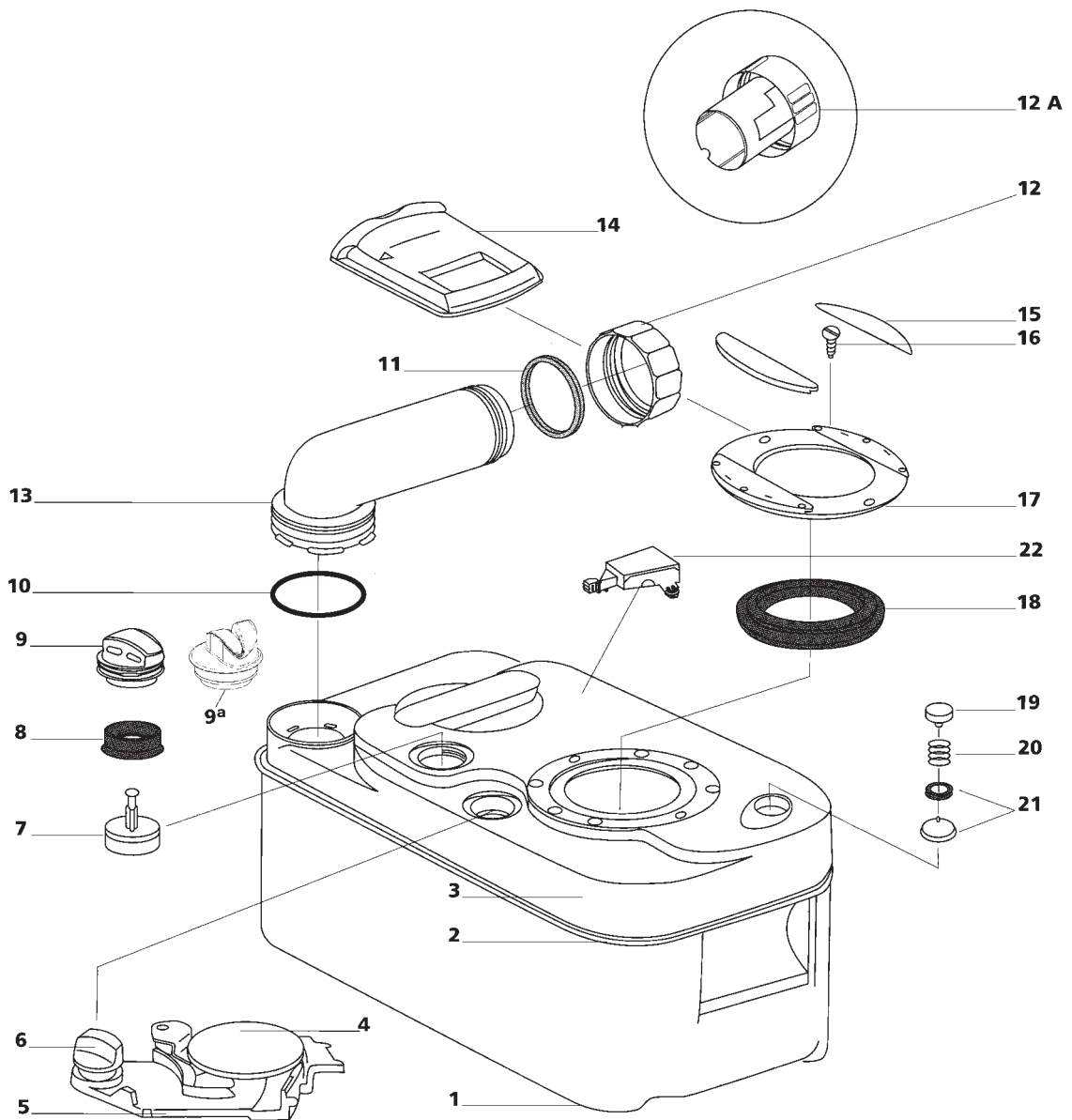
C-200 S/CS



C200 S/CS

		Single spare part number	Assembly spare part number
1	Cover		2370662
2	Seat		
3	Hinge pin	2370762	
4	Bowl		
5	Vacuumbreaker	16833	
6	Electric valve		23709
7	Hose nut		
8	Hose barb		
9	O-ring		2371062
10	Nozzle		
11	Watertube		
12	Watertube		
13	Waterfuse bracket		
14	Fuse	21766	
15	Reedswitch	2371462	
16	Screw		
17	Bowl retainer bracket		
18	Magnet basket		
19	Bowl retainer bracket		
20	Base upper		
21	Base lower		
22	Handle		2371374
23	Screw		
24	Bushing		
25	Seal handle		
26	Link		23848
27	Saddle		
28	Saddle bracket		
	Saddle bracket outside vent	23850	
29	Console		
30	Led C-200 S and CS	23718	2384662
31	Switch panel		
32	Flush switch	23716	
33	Bezel		

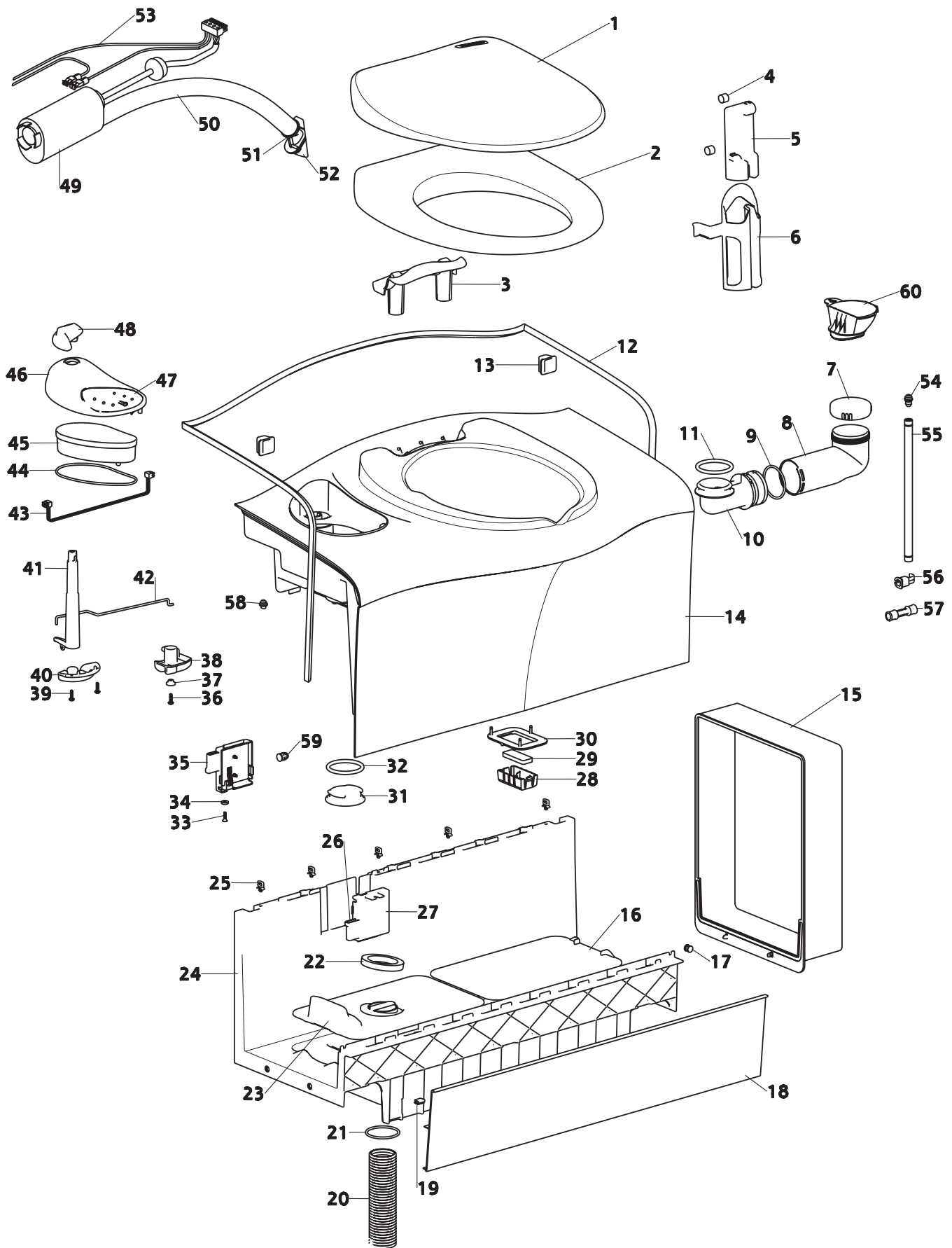
C-200 Holdingtank



C-200 Holdingtank

Spare part	Single spare part number	Assembly spare part number	Available in colour number
1. Holdingtank lower			
2. Weld holdingtank			
3. Holdingtank upper			
4. Blade	23847		
5. Blade arm			
6. Blade opener	23743		78
7. Foam		23722	74
8. Seal automatic vent	21528		
9. Upper automatic vent			
9. A Upper automatic vent (outside vent)		23788	74
10. O-ring (+ 11.)	16195		
11. Cap seal		16196	74
12. Dump cap (+ 11.)	16384		78
12. A Measuring cup	25810		78
13. Pour out Spout			
14. Sliding cover	21333		74
15. Screw cover			
16. Screw			
17. Seal cover			
18. Lipseal	23721		
19. Vent button			
20. Spring		07524	78
21. Seal retainer			
22. Floatarm	23726		
Tank lock clip	23849		78
Holdingtank complete:	23719 (Incl. Sliding cover)		74
Holdingtank complete for outside vent.:	23787 (Incl. Sliding cover)		74

C402 CIX



(LO-029.01)

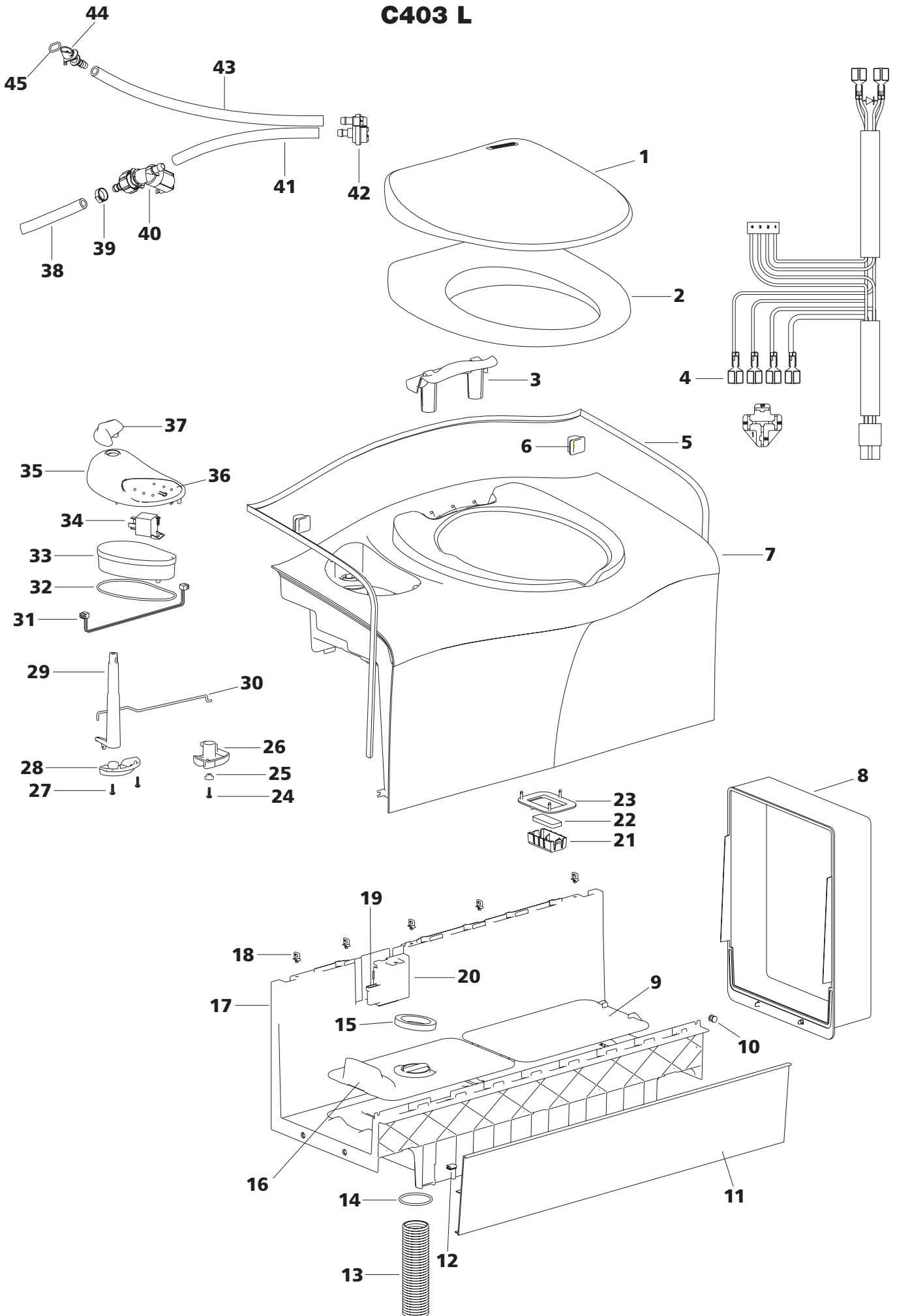
C-402 C/X

		Single spare part number	Assembly spare part number
1	Cover		3230930 (Mocca) 3230962 (White)
2	Seat		
3	Pod		
X model only			
4	Magnet		3233062
5	Float box for X model/foam		
6	Float box guiding for X model incl. reed switch PCB nr. 35		
7	Cap fill bottle	1684816	3231506
8	Water fill funnel		
9	O-ring		
10	Fill funnel elbow		
11	O-ring		
12	Wall seal	32311	
13	Wall bracket		
14	Bench		
15	Door interface		
16	Storage cover		
17	Lock plug <i>(For toilet produced until May 2004)</i>		
18	Kicking plate Kicking plate LB		
19	Clip		
20	Vent hose		32324
21	O-ring		
22	Seal vent plate		
23	Vent plate		
24	Base		
25	Wire clip		
26	Fuse	21766	
27	Reed switch housing + PCB (C version)		3231662
27	Reed switch housing + PCB (X version)		3231762
28	Magnet basket		
29	Magnet		
30	Retaining plate		
31	Plug fill bottle		
32	O-ring		
33	Screw		
34	Washer		
35	X model only Reed switch housing WT Reed switch PCB incl. float box nr. 4-5-6		3233062
36	Screw		
37	Bushing		
38	Saddle		
39	Screw		
40	Bracket		51802 (includes 38)
41	Shaft		
42	Link	51806	

43	Wire harness	32319	
44	O-ring		
45	Control well		
C Model			
46	Control panel Control PCB		3232062 (White) 3232030 (Mocca)
47	Overlay	32321	
X Model			
46	Control panel Control PCB		3232262 (White)
47	Overlay	32323	
48	Handle	5180362	
49	Pump	16374	
50	Flush tube		
51	O-ring		
52	Nozzle		
53	Wire harness main power		
54	Drain connector *		5180474
55	Sight glass *		
56	Clamp *		
57	Drain tube *		
58	Plug sight tube hole *		
59	Blind plug *		
60	Water fill extension	3232916	
	Hose connection (includes Hose nut, hose barb, seal washer)	23851	

* For toilets produced after
October 2005

C403 L



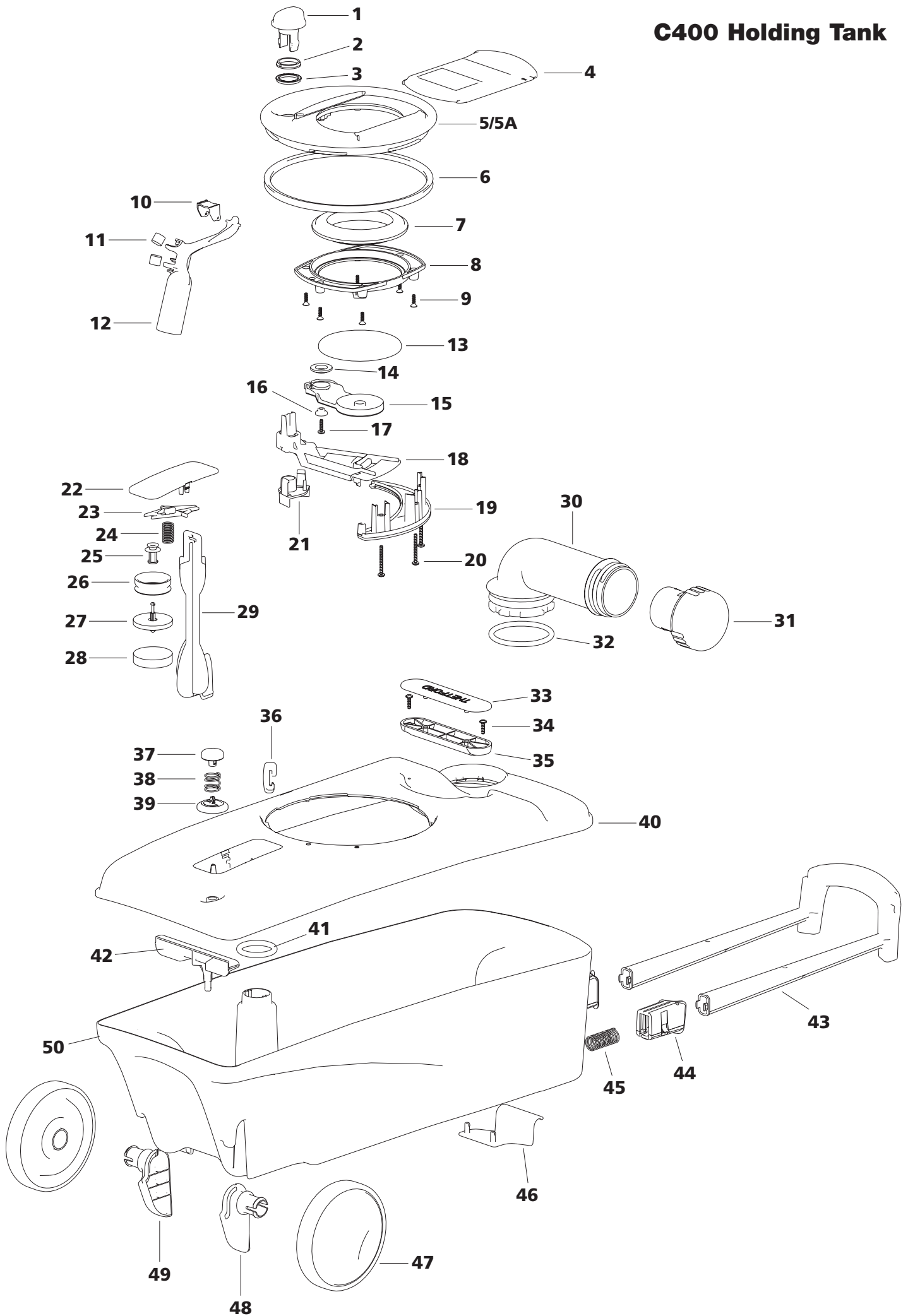
C-403 L

Single spare part number Assembly spare part number

1	Cover		
2	Seat		3230930 (Mocca)
3	Pod		3230962 (White)
4	Wire harness		
5	Wall seal	32311	
6	Bracket Bench		
7	Door interface		
8	Storage cover		
9	Lock plug <i>(For toilet produced until May 2004)</i>		
10	Kicking plate		
11	Kicking plate LB		
12	Clip		
13	Vent hose		
14	O-ring		32324
15	Seal vent plate		
16	Vent plate		
17	Base		
18	Wire clip		
19	Fuse	21766	
20	Reed switch housing HT Reed switch PCB		3231762
21	Magnet basket		
22	Magnet		
23	Retaining plate		
24	Screw		
25	Bushing		
26	Saddle		
27	Screw		
28	Bracket		
29	Shaft		51802 (includes 26)
30	Link	51806	
31	Wire harness	32319	
32	O-ring		
33	Control well		
34	Relay	20106	
35	Control panel Control PCB		3231362
36	Overlay	32314	
37	Handle	5180362	
38	Water supply tube		
39	Clamp		
40	Electric valve	23709	
41	Water tube		
42	Vacuum breaker	16833	
43	Flush tube		
44	Nozzle		
45	O-ring		
46	Plug sight tube hole *		
47	Blindplug *		

* For toilet produced after October 2005

C400 Holding Tank

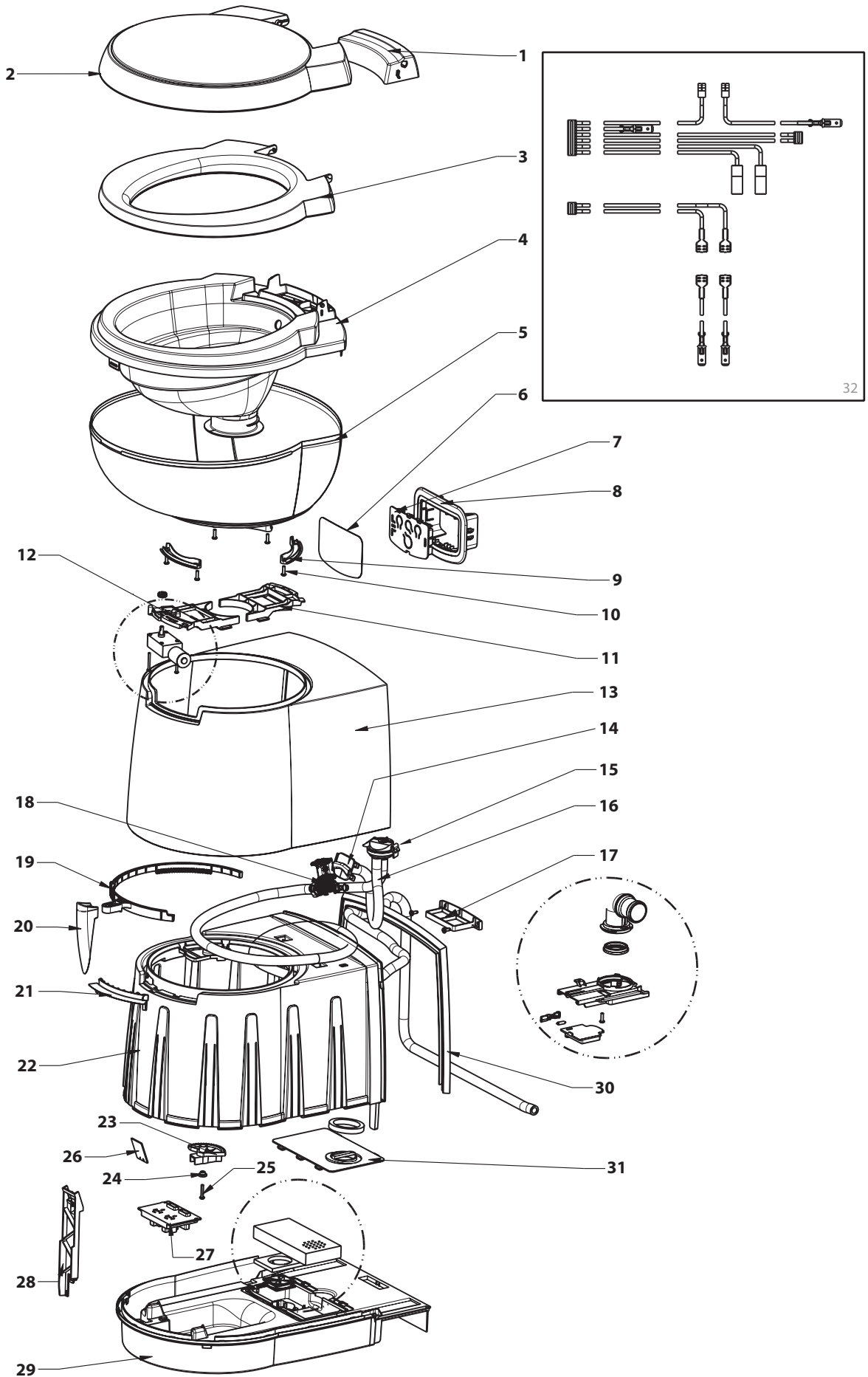


C400 Holdingtank

	Single spare part number	Assembly spare part number
1 Sliding cover	3230106	
2 Blade opener		3230016 (includes item21)
3 Washer		
4 Seal parker		
5 Holding tank plate Left	3230206	
5A Holding tank plate Right	3232806	
6 Seal mechanism	50724	
7 Lipseal	23721	
8 Seal Plate		
9 Screw		
10 Retainer		32304
11 Magnet		
12 Float arm		
13 Blade	50731	
14 Bearing		
15 Blade arm		
16 Bushing		
17 Screw		
18 Blade driver		
19 Support track		
20 Screw		
21 Mechanism retainer		
Complete mechanism Left (Item 2 to 21)		3233206
Complete mechanism Right (Item 2 to 21)		3233106

22	Vent lid		
23	Vent lifter		
24	Vent Spring		
25	Vent pivot		32305
26	Vent seal		
27	Float stem		
28	Float		
29	Vent actuator		
30	Pour out spout		3230606
31	Measuring cup	2581016	
32	O-ring		
33	Handle cover		
34	Screw		
35	Handle		
36	Vent clip		
37	Vent button		3230716
38	Vent spring		
39	Vent seal		
40	Holding tank upper		
41	O-ring		
42	Wheel support bracket		
43	Pull handle		5180516
44	Bushing (Left/Right)		
45	Spring		
46	Tank lock clip	5180116	
47	Wheel		3230806
48	Wheel bearing right		
49	Wheel bearing right		
50	Holding tank lower		
	Complete holding tank Right version		3232706
	Complete holding tank Left version		3232606

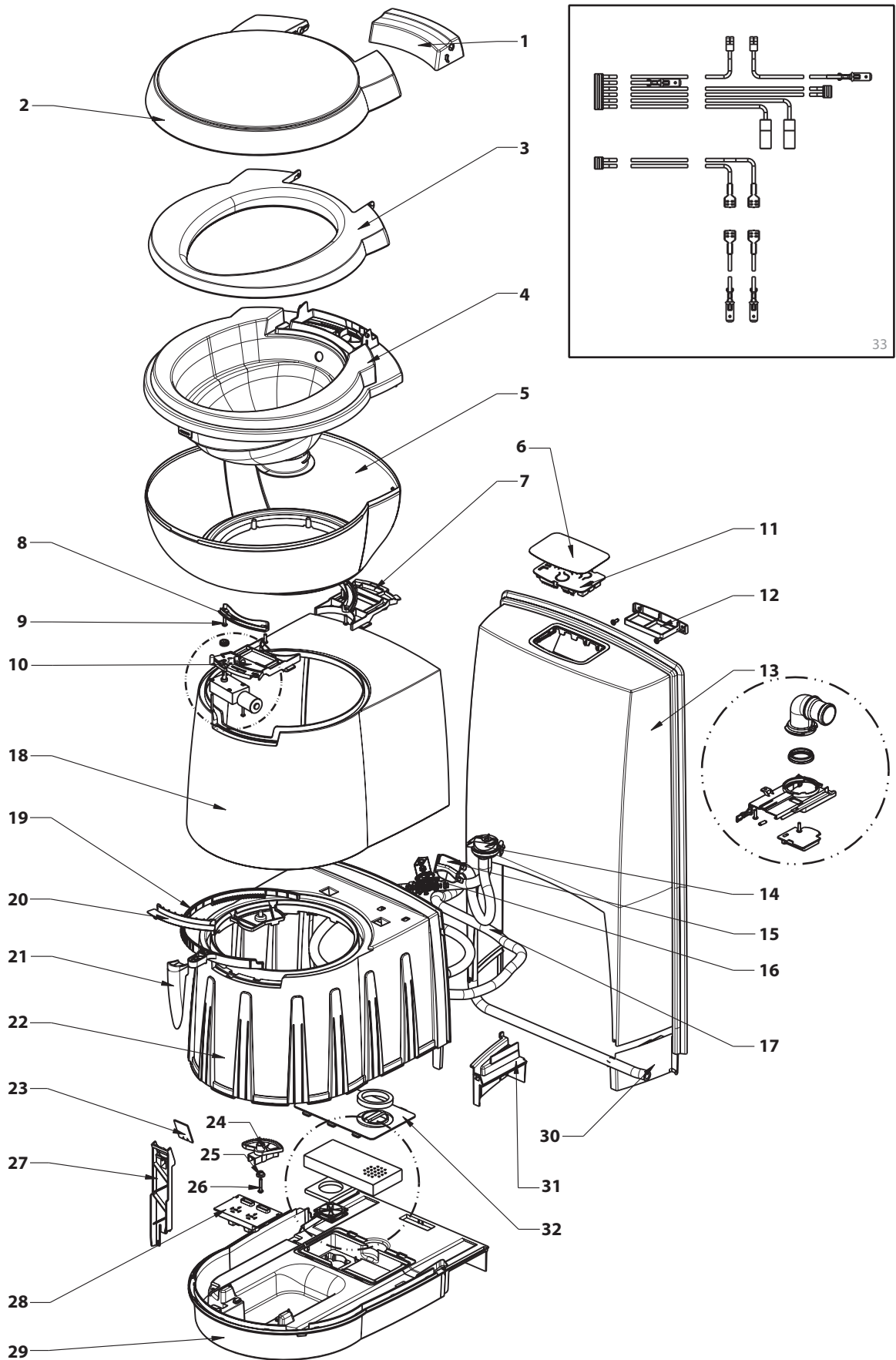
C-250 S



C250-S

	Single spare part number	Assembly spare part number
1 Pod		5070762 (White) 5070730 (Mocca) 5075762 (Ceramic version only)
2 Seat		
3 Cover		
4 Bowl inner		
5 Bowl outer		
6 Overlay	50708	
7 Control SN (50540)	50709	
7 Control SW (50545)	50710	
7 Control FF (50546)	50711	
8 Wall box		
9 Retainer bracket		
10 Screw		
11 Bowl retainer bracket	50733	
12 Bowl retainer		
13 Base upper		
14 Seal nozzle/nozzle/retainer nozzle	50729	
15 Vacuum breaker	16833	
16 Water supply tube	50733	
17 Wall bracket		
18 Electric valve	23709	
19 Ring blade mechanism		
20 Handle	9340247	
21 Water diverter		
22 Base frame		
23 Saddle		50735
24 Bushing		
25 Screw		
26 Reed switch one switch	50713	
26 Reed switch Single level	50714	
26 Reed switch Multi level	50715	
27 Relay/fuse holder		50716
28 Reed switch housing		
29 Base lower		
30 Seal base wall		
31 Vent plate	5073462	
32 Wire harness		
The fuse holder and the reed switch housing (27+28) have become together one single part since 01/02/2011.		
Spares for level indicator kits (Contains Bracket Relay/Fuse holder, Reed switch, Float)		
Kit one switch	5075062	
Kit single level	5075162	
Kit multi level	5075262	
Ventilator for Powered vent	50755	

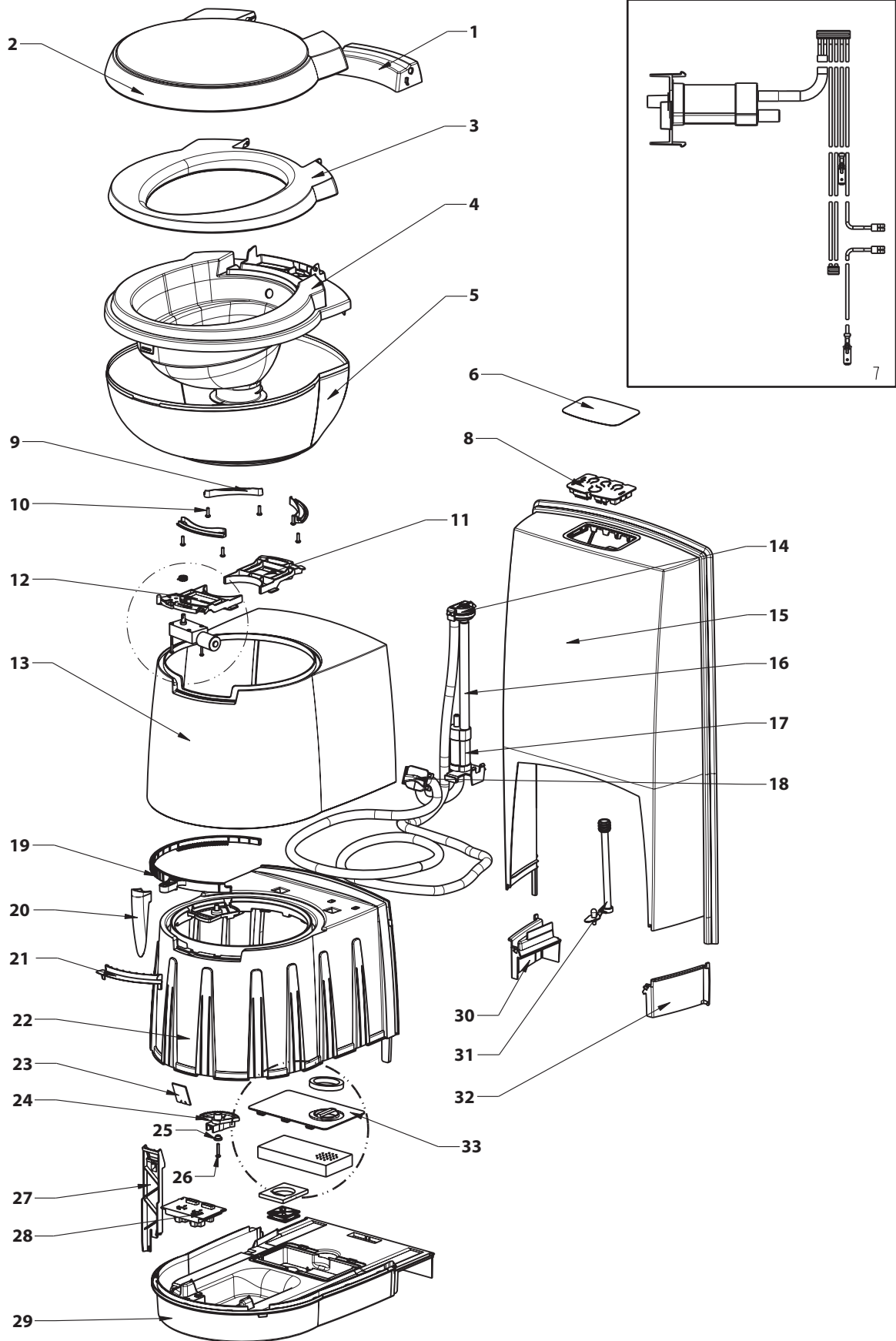
C-250 CS



C250-CS

	Single spare part number	Assembly spare part number
1 Pod		5070762 (White) 5070730 (Mocca) 5075762 (Ceramic version only)
2 Seat		
3 Cover		
4 Bowl inner		
5 Bowl outer		
6 Overlay	50708	
7 Bowl retainer bracket	50733	
8 Retainer bracket		
9 Screw		
10 Bowl retainer		
11 Control SN (50540)	50709	
11 Control SW (50545)	50710	
11 Control FF (50546)	50711	
12 Wall bracket		
13 Console		
14 Vacuum breaker	16833	
15 Seal nozzle/nozzle/retainer nozzle	50729	
16 Electric valve	23709	
17 Water supply tube		
18 Base upper		
19 Ring blade mechanism		
20 Water diverter		
21 Handle	9340247	
22 Base frame		
23 Reed switch one switch	50713	
23 Reed switch Single level	50714	
23 Reed switch Multi level	50715	
24 Saddle		50735
25 Bushing		
26 Screw		
27 Reed switch housing		50716
28 Relay/fuse holder		
29 Base lower		
30 Splashguard left		
31 Splashguard right		
32 Vent plate	5073462	
33 Wire harness		
The fuse holder and the reed switch housing (27+28) have become together one single part since 01/02/2011.		
Spares for level indicator kits (Contains Bracket Relay/Fuse holder, Reed switch, Float)		
Kit one switch	5075062	
Kit single level	5075162	
Kit multi level	5075262	
Ventilator for Powered vent	50755	

C-250 CWE



C250-CWE

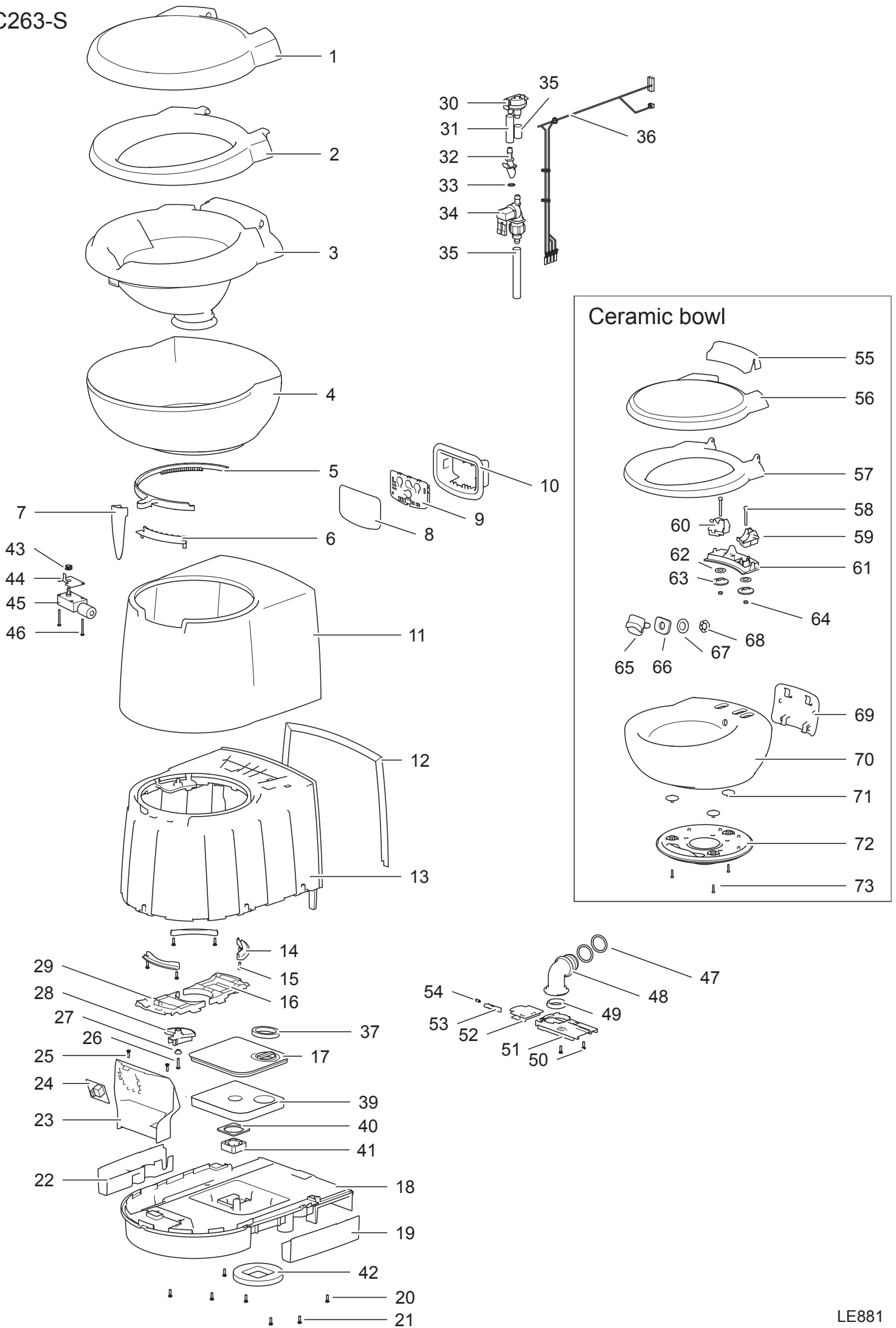
		Single spare part number	Assembly spare part number
1	Pod		5070762 (White) 5070730 (Mocca) 5075762 (Ceramic version only)
2	Seat		
3	Cover		
4	Bowl inner		
5	Bowl outer		
6	Overlay	50708	
7	Wire Harness		
8	Control SN (50540)	50709	
8	Control SW (50545)	50710	
8	Control FF (50546)	50711	
9	Retainer bracket		
10	Screw		
11	Bowl retainer bracket	50733	
12	Bowl retainer		
13	Base upper		
14	Vacuum breaker	16833	
15	Water tank		
16	Water supply tube		
17	Pump	50712	
18	Seal nozzle/nozzle/retainer nozzle	50729	
19	Ring blade mechanism		
20	Handle	9340247	
21	Water diverter		
22	Base Frame		
23	Reed switch one switch	50713	
23	Reed switch Single level	50714	
23	Reed switch Multi level	50715	
24	Saddle		50735
25	Bushing		
26	Screw		
27	Reed switch housing		50716
28	Relay/fuse holder		
29	Base lower		
30	Splashguard right		
31	Drain	50717	
32	Splashguard left		
33	Vent plate	5073462	

The fuse holder and the reed switch housing (27+28) have become together one single part since 01/02/2011.

Spares for level indicator kits (Contains Bracket Relay/Fuse holder, Reed switch, Float)

Kit one switch	5075062
Kit single level	5075162
Kit multi level	5075262
Ventilator for Powered vent	50755

C263-S



C263-S

	Single spare part number	Assembly spare part number
1 cover		9340162
2 Seat		
3 Bowl inner		
4 Bowl outer		
5 Ring blade mechanism		
6 Water diverter		
7 Handle	9340247	
8 Sticker control panel	93403	
9 Control panel SN	93404	
9 Control panel SW	93405	
9 Control panel FF	93406	
10 Wall box		
11 Base upper		
12 Seal Base wall		
13 Base frame		
14 Retainer bracket		
15 Screw 3.9 x 14		
16 Bowl retainer bracket	50733	
17 Vent plate		
18 Base lower		
19 Side cover left		
20 Screw 3.9 x 14		
21 Screw 3.9 x 14		
22 Side cover right		
23 Housing main PCB	9340762	
24 Reed switch (single level)	93408	
24 Reed switch (multi level)	93409	
25 Screw 3.9 x 14		
26 Screw 3.9 x 22		50735
27 Bushing		
28 Saddle		
29 Bowl retainer		
30 Vacuum breaker	16833	
31 Water supply tube		
32 Nozzle		
33 O-ring		
34 Electric valve	23709	
35 Water supply tube		
36 Wire harness		

Options

Single spare part number

Assembly spare part number

Following spares are available only for the models equipped with the option

Powered outside vent

37	Seal, vent plate		
39	Filter		
40	Ventilator foam		93411
41	Fan		
42	Seal, adaptor		

Electric Blade

43	Gear wheel motor		
44	Metal bracket electric blade		
45	Motor electric blade		
46	Screw Hilo 3,1 X 35/15 PH2		

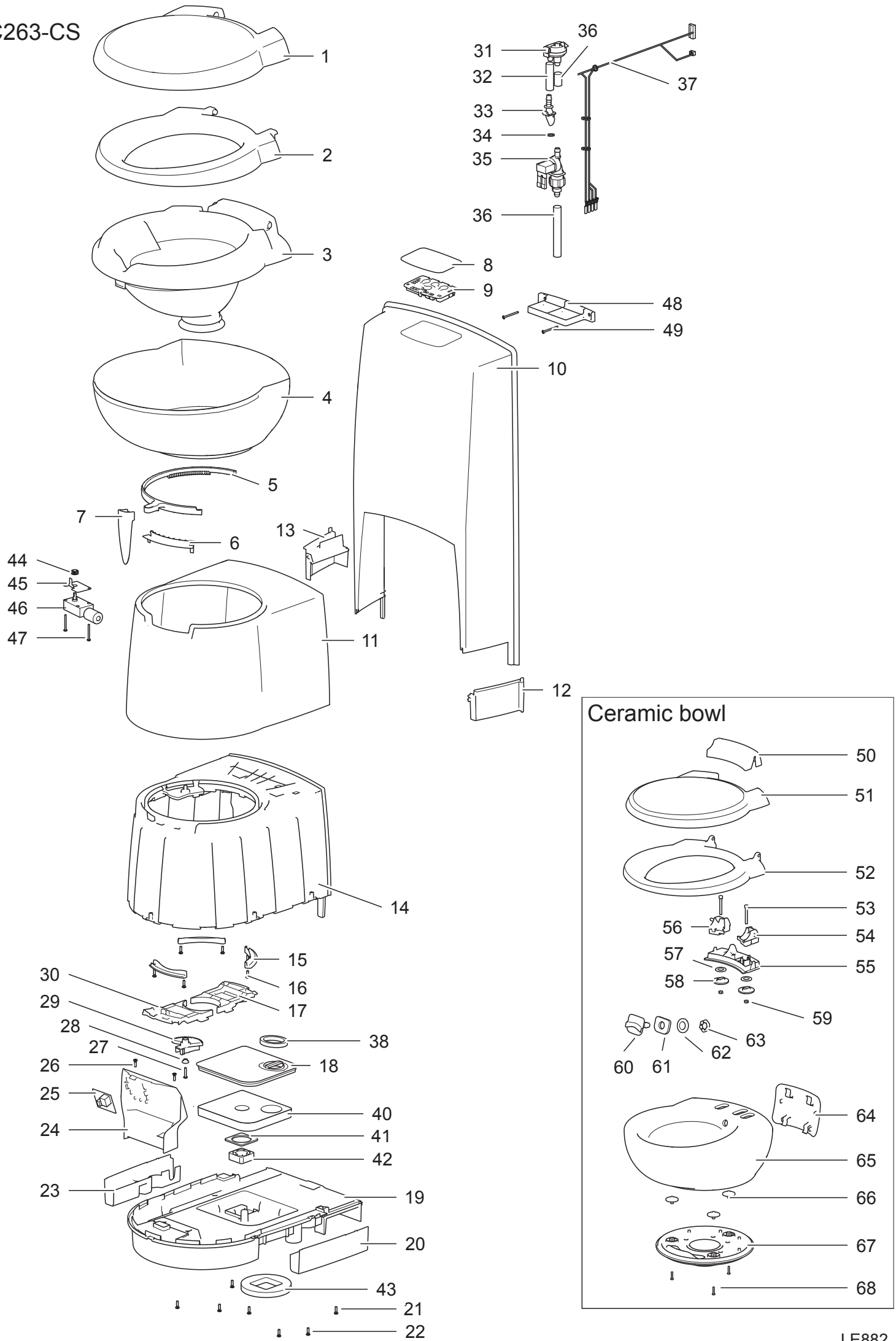
Waste Transfer

47	Seal	50749		5074706
48	Tube connection		5074506	
49	Seal			
50	Screw 3.9 x 14			
51	Base			
52	Base cover		5074406	
53	Clicker			
54	Spring			

Ceramic Bowl

55	POD			9341262
56	Cover			
57	Seat			
58	Inner Hex head Screw DIN912 M6x50			9341362
59	Hinge block left			
60	Hinge block right			
61	Bracket Seat&Cover			
62	Adhesive Ring			5075662
63	Plastic Ring M6			
64	Nut M6			
65	Nozzle			
66	Seal			5075662
67	Washer M17			
68	Pal Nut M16			
69	Service cover	9341462		
70	China Bowl			
71	Nut rotating plate			
72	Rotating plate			
73	Screw 3.9x14			

C263-CS



C263-CS

	Single spare part number	Assembly spare part number
1 cover		9340162
2 Seat		
3 Bowl inner		
4 Bowl outer		
5 Ring blade mechanism		
6 Water diverter		
7 Handle	9340247	
8 Sticker control panel	93403	
9 Control panel SN	93404	
9 Control panel SW	93405	
9 Control panel FF	93406	
10 Console		
11 Base upper		
12 Splashguard left		
13 Splashguard right		
14 Base frame		
15 Retainer bracket		
16 Screw 3.9 x 14		
17 Bowl retainer bracket	50733	
18 Vent plate		
19 Base lower		
20 Side cover left		
21 Screw 3.9 x 14		
22 Screw 3.9 x 14		
23 Side cover right		
24 Housing main PCB	9340762	
25 Reed switch (single level)	93408	
25 Reed switch (multi level)	93409	
26 Screw 3.9 x 14		
27 Screw 3.9 x 22		50735
28 Bushing		
29 Saddle		
30 Bowl retainer		
31 Vacuum breaker	16833	
32 Water supply tube		
33 Nozzle		
34 O-ring		
35 Electric valve	23709	
36 Water supply tube		
37 Wire harness		
48 Wall bracket		
49 Screw parker 8x1/2 IN		

Options

Single spare part number

Assembly spare part
number*Following spares are available only for the
models equipped with the option***Powered outside vent**

38 Seal, vent plate

40 Filter

41 Ventilator foam

42 Fan

93411

43 Seal, adaptor

Electric Blade

44 Gear wheel motor

45 Metal bracket electric blade

46 Motor electric blade

47 Screw Hilo 3,1 X 35/15 PH2

Ceramic Bowl

50 POD

51 Cover

52 Seat

9341262

53 Inner Hex head Screw DIN912
M6x50

54 Hinge block left

55 Hinge block right

56 Bracket Seat&Cover

57 Adhesive Ring

58 Plastic Ring M6

59 Nut M6

9341362

60 Nozzle

61 Seal

62 Washer M17

63 Pal Nut M16

5075662

64 Service cover

9341462

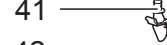
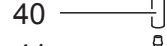
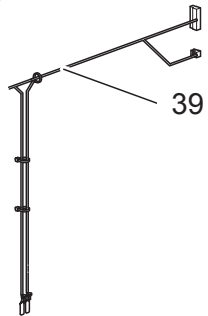
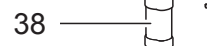
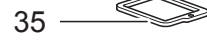
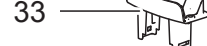
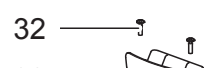
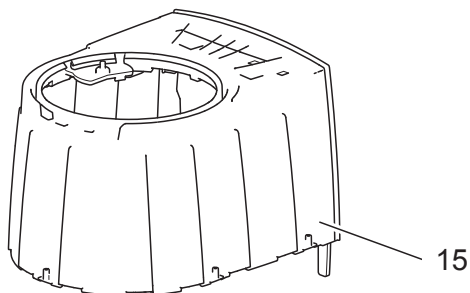
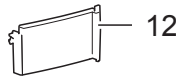
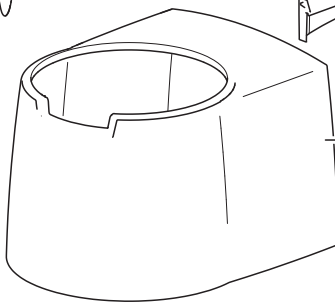
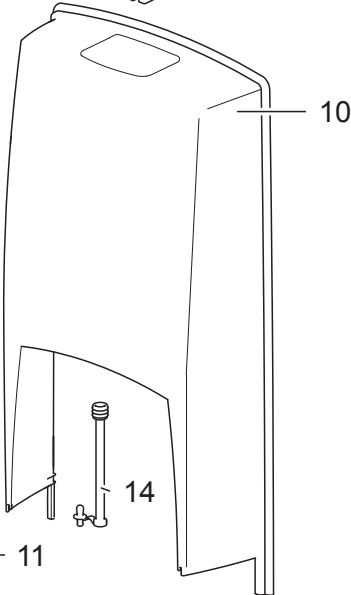
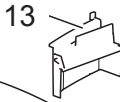
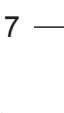
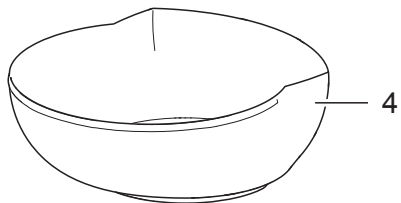
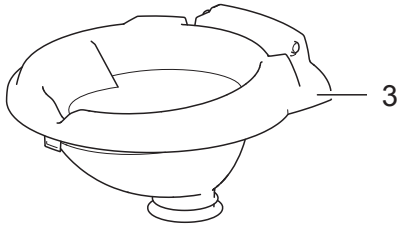
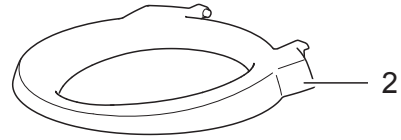
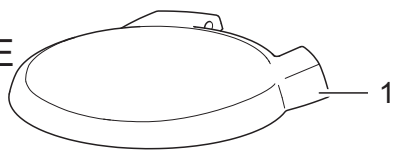
65 China Bowl

66 Nut rotating plate

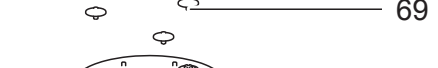
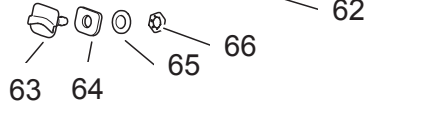
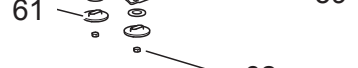
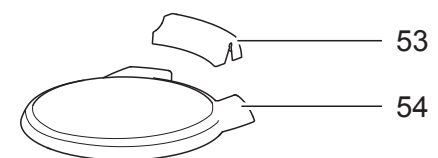
67 Rotating plate

68 Screw 3.9x14

C262-CWE



Ceramic bowl



C262-CWE

	Single spare part number	Assembly spare part number
1 cover		9340162
2 Seat		
3 Bowl inner		
4 Bowl outer		
5 Ring blade mechanism		
6 Water diverter		
7 Handle	9340247	
8 Sticker control panel	93403	
9 Control panel SN	93404	
9 Control panel SW	93405	
9 Control panel FF	93406	
10 Console		
11 Base upper		
12 Splashguard Left		
13 Splashguard Right		
14 Drain	50717	
15 Base frame		
16 Retainer bracket		
17 Screw 3.9 x 14		
18 Bowl retainer bracket	50733	
19 Vent plate		
20 Base Lower		
21 Side cover left		
22 Screw 3.9 x 14		
23 Screw 3.9 x 14		
24 Side cover right		
25 Housing main PCB	9340762	
26 Reed switch (single level)	93408	
26 Reed switch (multi level)	93409	
27 Screw 3.9 x 14		
28 Screw 3.9 x 22		50735
29 Bushing		
30 Saddle		
31 Bowl retainer		
32 Screw 3.9 x 14		
33 Cover console		
34 Grommet seal		
35 Cover seal		
36 Vacuum breaker	16833	
37 Tube Wt inside		
38 Pump	16374	
39 Wire Harness		
40 Water supply tube		
41 Nozzle		
42 O-Ring		

Options

Single spare part number

Assembly spare part
number*Following spares are available only for the
models equipped with the option***Powered outside vent**

43 Seal, vent plate

45 Filter

46 Ventilator foam

47 Fan

93411

48 Seal, adaptor

Electric Blade

49 Gear wheel motor

50 Metal bracket electric blade

51 Motor electric blade

52 Screw Hilo 3,1 X 35/15 PH2

Ceramic Bowl

53 POD

54 Cover

55 Seat

9341262

56 Inner Hex head Screw DIN912
M6x50

57 Hinge block left

58 Hinge block right

59 Bracket Seat&Cover

60 Adhesive Ring

61 Plastic Ring M6

62 Nut M6

9341362

63 Nozzle

64 Seal

65 Washer M17

66 Pal Nut M16

5075662

67 Service cover

9341462

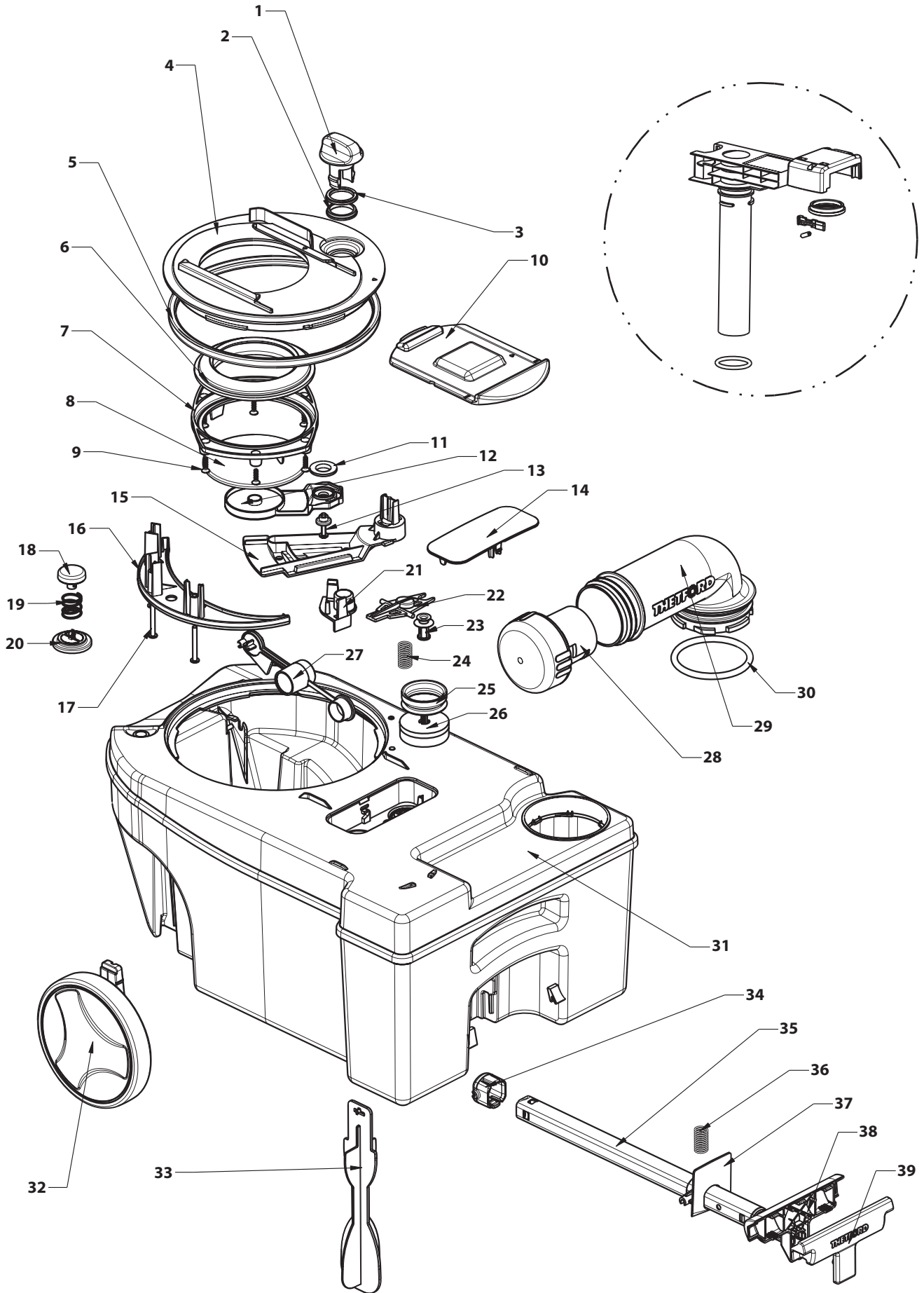
68 China Bowl

69 Nut rotating plate

70 Rotating plate

71 Screw 3.9x14

7!&) \$#&* \$`<c`X]b[hUj_

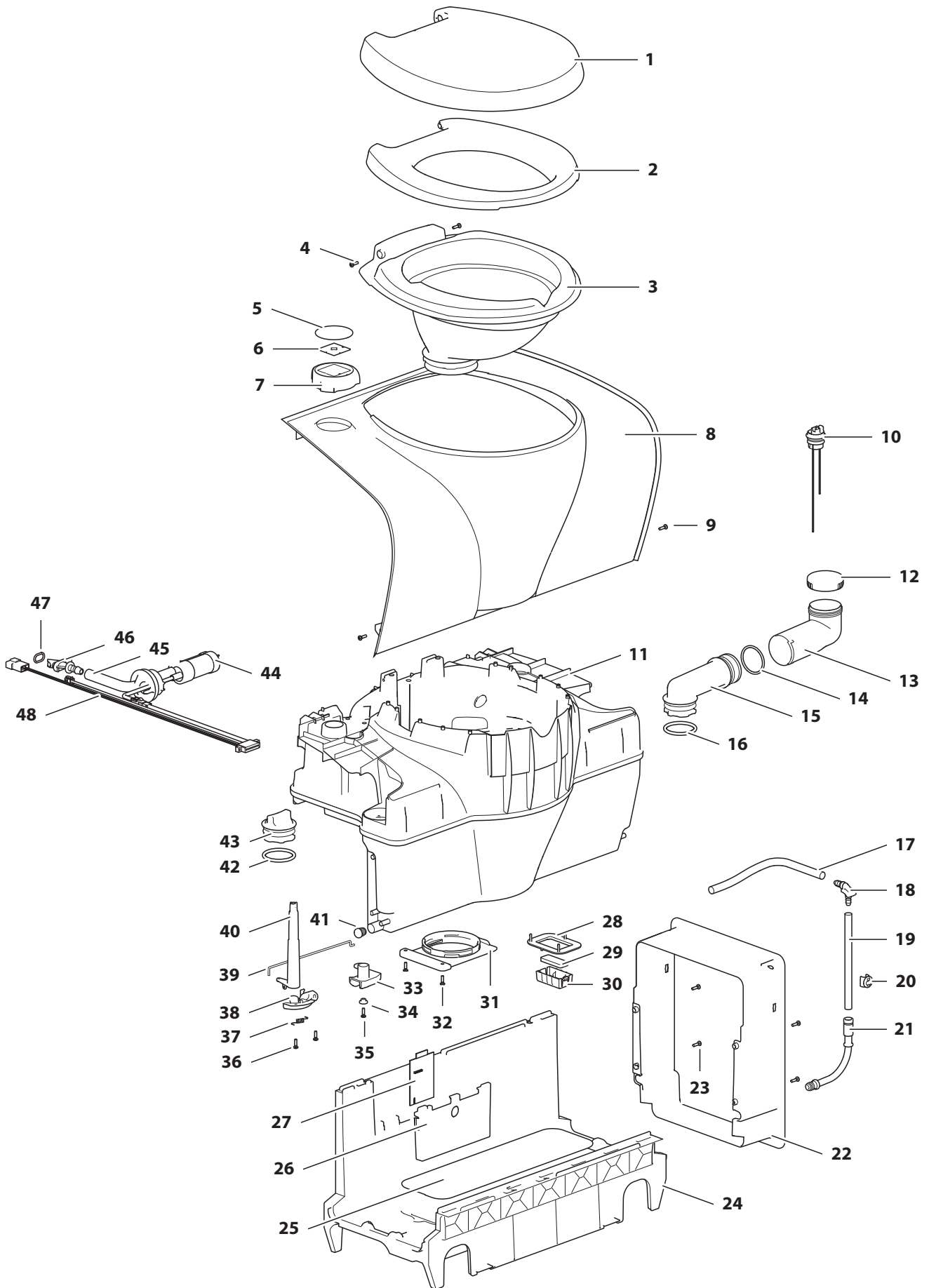


C250/260 Holdingtank

		Single spare part number		Assembly spare part number
1	Blade opener			2374392
2	Seal			
3	Washer			
4	Holdingtank plate			
5	Seal mechanism	50724		
6	Lipseal	23721		
7	Blade arm driver			
8	Blade	50731		
9	Screw			
10	Sliding cover	5071806		
11	Bearing plate			
12	Blade arm			
13	Bushing/screw			
14	Vent lid	5074106		
15	Blade driver			
16	Support track			
17	Screw			
18	Vent button			0752492
19	Spring			
20	Vent seal			
21	Retainer mechanism			
22	Vent lifter			
23	Vent pivot			50732
24	Vent spring			
25	Seal vent	21528		
26	Float stem			
27	Float	50725		
28	Measuring cup	2581006		5071992
29	Pour out spout			
30	O-ring			
31	Complete Holdingtank	5070006		
31	Complete Holdingtank Waste Transfer	5070106		
32	Wheel	50726		
33	Vent actuator			
34	Bracket			50728
35	Telescopic system			
36	Vent spring			
37	Guide			
38	Handle grip			5073792
39	Handle cover			

- Complete holdingtank mechanism : Spare assembly **5072706** (includes items 1 to 9 + 11,12,13,16,21)
- Bracket/Guide : Spare assembly **5073806** (includes items 34,37)
- Repair kit holding tank mechanism (leakage) : **50758** (includes sliding cover, complete mechanism, bow retainer bracket)

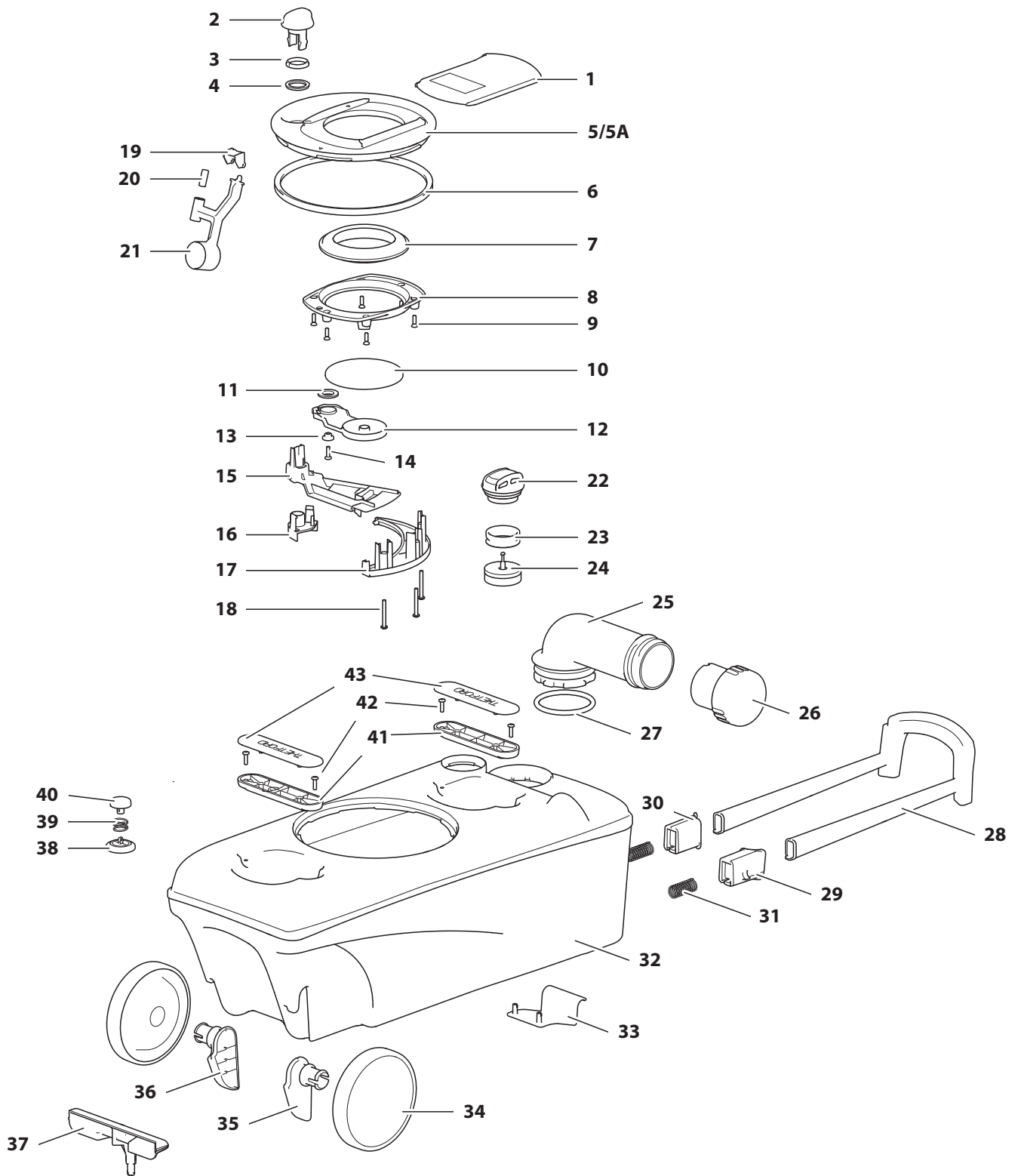
C502-C/X



C502 C/X

		Single spare part number	Assembly spare part number
1	Cover		90713127
2	Seat		
3	Bowl		
4	Screw		
5	Sticker control knob		90701127 (C version) 90709127 (X Version)
6	Control PCB		
7	Control Knob		
8	Cosmetic cover curved		
9	Screw		
10	Water level sensor	90702 (X version only)	
11	Bench welded		
12	Water fill cap	1684816	90710
13	Water fill funnel		
14	O-ring		
15	Water fill elbow		
16	O-ring		
17	Tube PVC		
18	Drain connector		
19	Sight tube		90703
20	Clip sight tube	90711	
21	Drain tube + 19 sight tube		
22	Tunnel		
23	Screw		
24	Base		
25	Pocket cover		
26	PCB cover		
27	Main PCB	90704 (C version) 90712 (X version)	
28	Retaining plate		
29	Magnet		
30	Magnet basket		
31	Flange lock		
32	Screw		
33	Saddle		
34	Bushing		
35	Screw		
36	Screw		
37	Spring		
38	Bracket		
39	Link		
40	Shaft		51802 (includes 33,37,38)
41	Drain plug		
42	O-ring		
43	Blind plug Water fill		
44	Pump	16374	
45	Water supply tube		90705127
46	Nozzle		
47	O-ring		
48	Wire Harness		

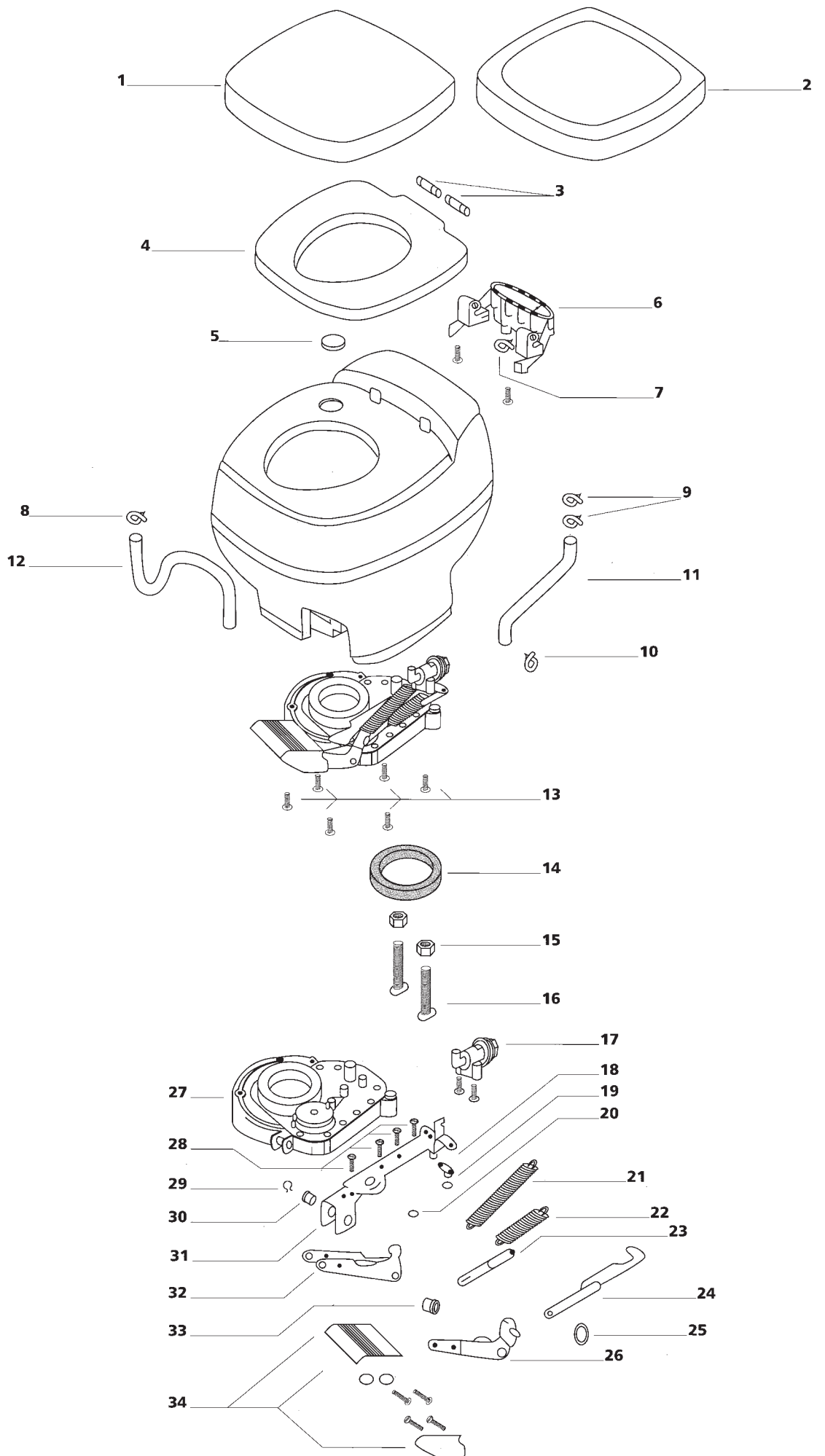
C500 waste-holding tank



C500 Holdingtank

	Single spare part number	Assembly spare part number
1 Sliding cover	3230106	
2 Blade opener		3230016 (includes item16)
3 Washer		
4 Seal		
5 Holding tank plate		
6 Seal	50724	
7 Lipseal	23721	
8 Seal Plate		
9 Screw		
10 Blade	50731	
11 Bearing		
12 Blade arm		
13 Bushing		
14 Screw		
15 Blade driver		
16 Mechanism retainer		
17 Support track		
18 Screw		
19 Retainer		90706
20 Magnet		
21 Float arm		
22 Upper automatic vent		2372206
23 Seal		
24 Foam		
25 Pour out spout		3230606
26 Measuring cup	2581016	
27 O-ring		
28 Pull handle		5180516
29 Pull handle bushing right		
30 Pull handle bushing Left		
31 Spring		
32 Holding tank complete Right		9070706
32 Holding tank complete Left		9070806
33 Tank lock clip	5180116	
34 Wheel		3230806
35 Wheel bearing right		
36 Wheel bearing left		
37 Wheel bracket		
38 Vent seal		3230716
39 Spring		
40 Vent button		
41 Handle		
42 Screw		
43 Handle cover		
Complete holding tank mechanism Right version (items 5 to 24)		3233106
Complete holding tank mechanism Left version (items 5 to 24)		3233206

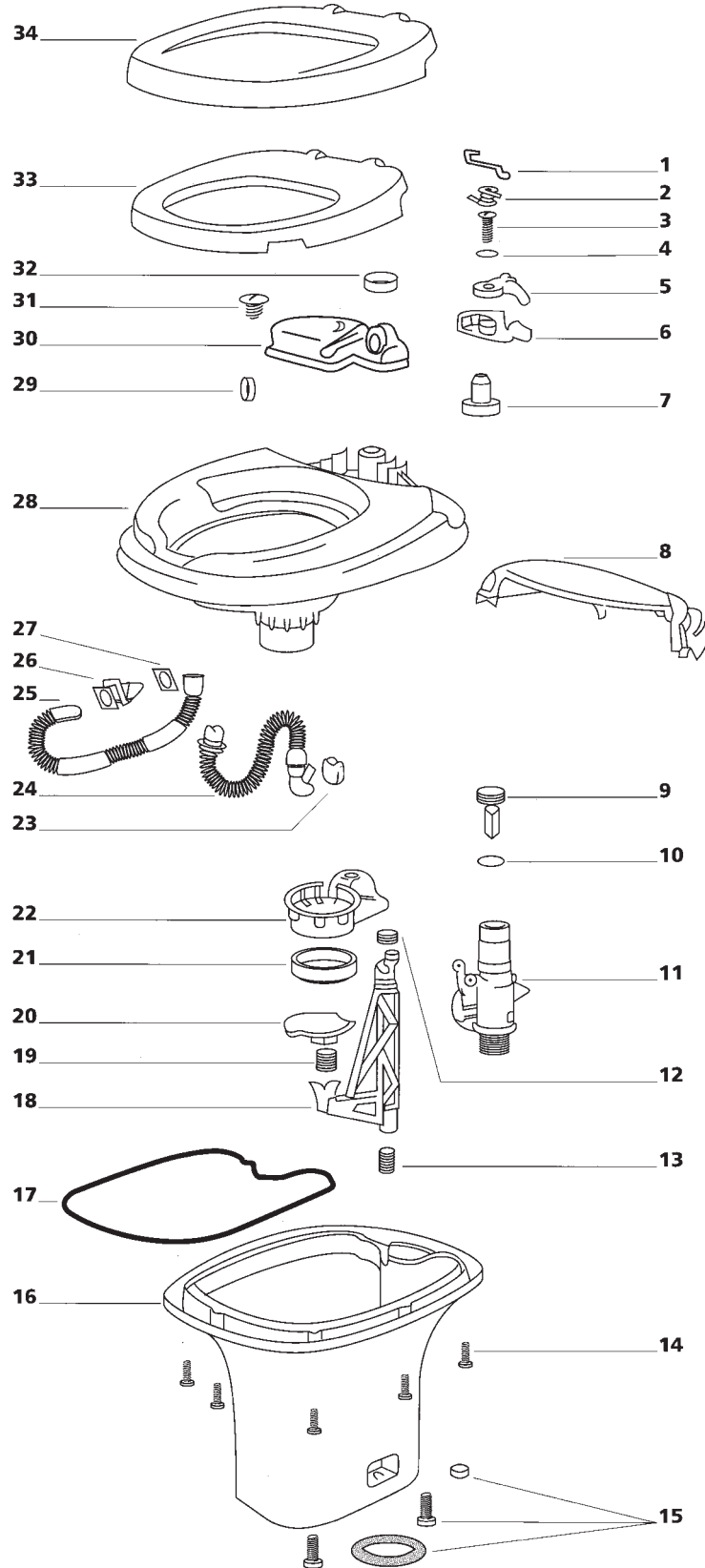
Aqua Magic Starlite/Galaxy



Aqua Magic Starlite/Galaxy

	Single spare part number	Assembly spare part number
1	Cover parchment	
2	Cover grey tan/pad	
3	Hinge pin	1618362
4	Seat	36768 (Seat and cover white) 36769 (Seat and cover Parch)
5	Top hole plug	
6	Vacuum breaker	2070210
7	Hose clamp	02504
8	Hose clamp	02504
9	Hose clamp	02504
10	Hose clamp	02504
11	Tube	
12	Tube	
13	Screw	03994
14	Closet flange seal	
15	Nut	08975
16	Closet bolt	
17	Aquamagic ball valve	09868 (includes 14)
18	Ball valve drive arm	
19	Lock washer	
20	Base assy nut	
21	Spring	
22	Spring	
23	Push link	
24	Drive arm	
25	Retaining ring	
26	Pedal arm	
27	Base&cover mechanism	
	Blade	24502
28	Screw	
29	Cotter pin	
30	Bushing	
31	Lever plate	
32	Pedal arm	
33	Bushing	
34	Pedal open / Pedal flush	
	Mechanism seals package	08368
	Mechanism Aquam magic Complete (items 14 to 34) For toilets between March 1985 and July 1990	14622
	Mechanism Aquam magic Complete (items 14 to 34) For toilets after July 1990)	24203
	Lipseal	08308

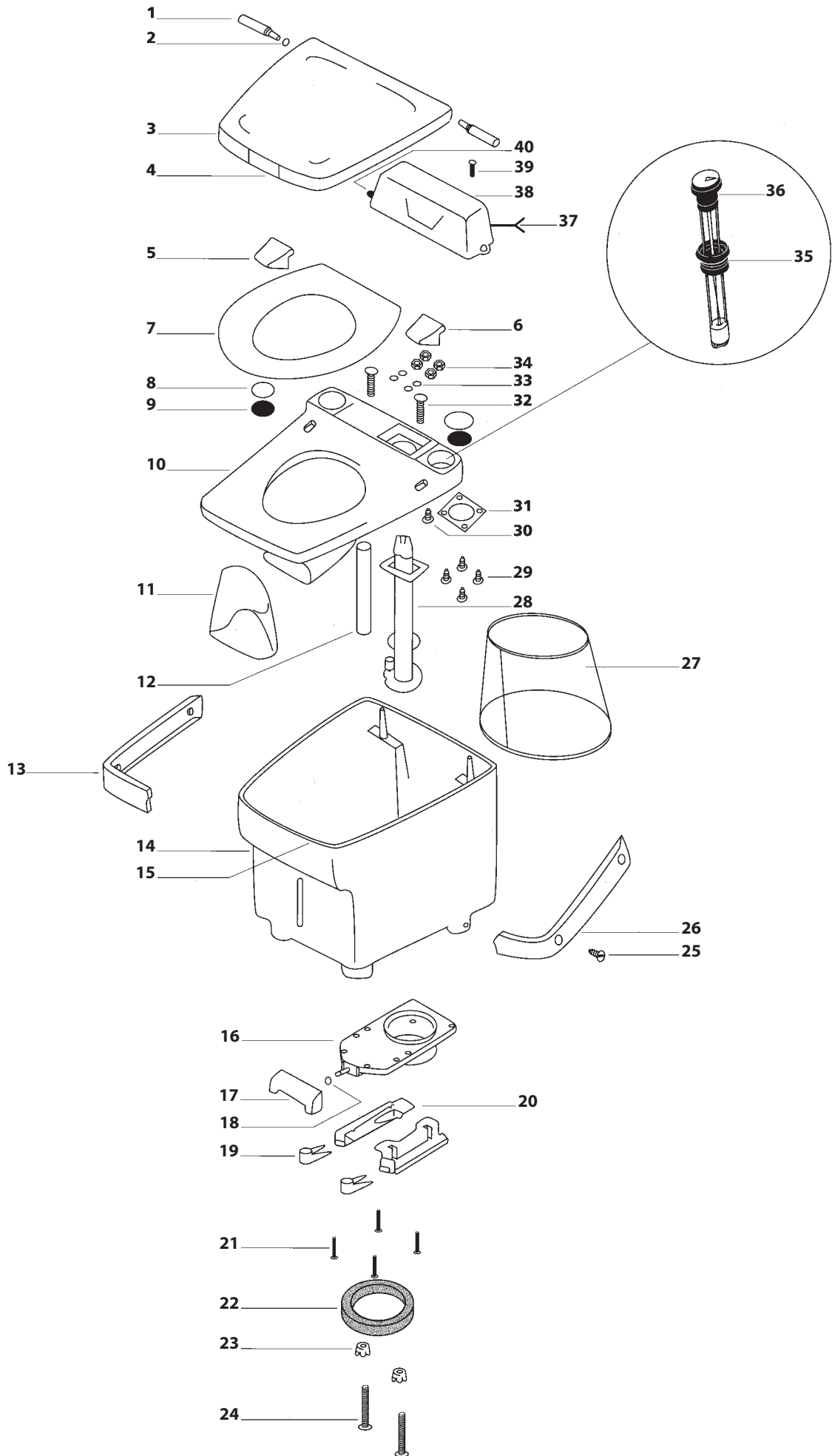
Aqua Magic IV



Aqua Magic IV high and low

	Single spare part number	Assembly spare part number
1	Link ball valve	
2	Spring lever return	12523
3	Screw	
4	Washer	
5	Water lever	
6	Flush lever	12515
7	Bearing	
8	Cover mechanism	
9	Float	
10	O-ring	24846
11	Water valve	
12	Actuator arm seal	12480
13	Actuator spring	12517
14	Screw	
15	Closet bolt pkg.	12524
16	Base	
17	P.T.I.	
18	Actuator arm high	12479
18	Actuator arm low	12923
19	Blade spring	12519
20	Blade	12482
21	Blade seal	12481
22	Blade track	12520
23	Flapper	
24	Overflow tube	
25	Flush tube	
26	Nozzle	
27	Gasket	
28	Bowl	
29	Seal	
30	Reservoir tank	
31	Screw	
32	Retaining band	
33	Seat	2464110 (Ivory) 2464157 (Parch) 2464162 (White)
34	Cover	

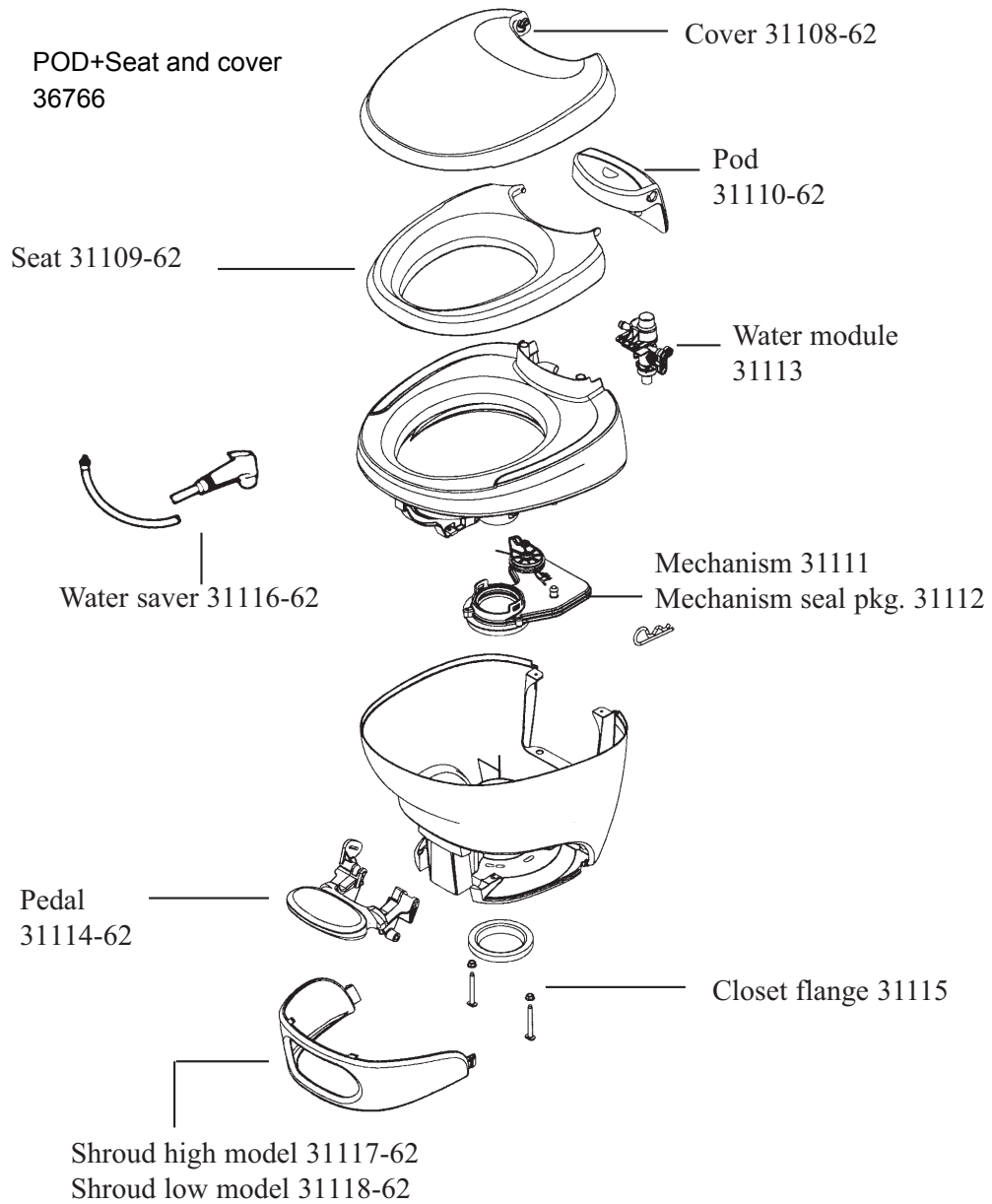
Electra Magic



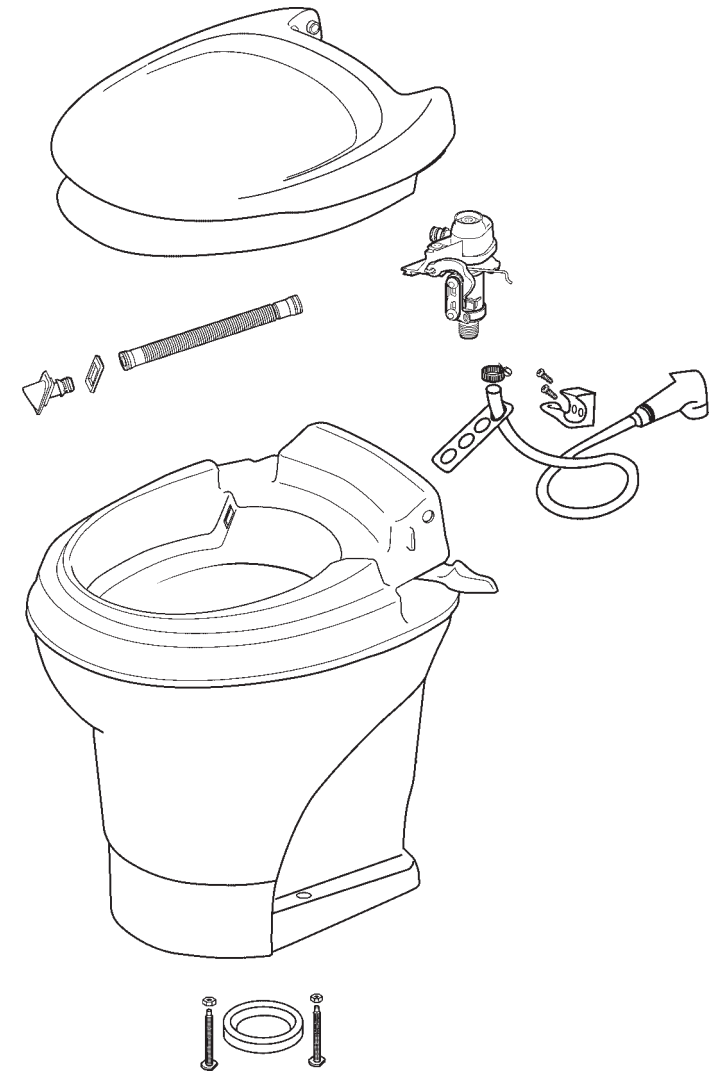
Electra Magic

		Single spare part number	Assembly spare part number	
1	Hinge pin		35788	35782
2	Retaining ring			
3	Cover			
4	Seal			
5	Hinge left hand		35783	35778
6	Hinge right hand			
7	Seat			
8	Cap			
9	Splash guard		35779 (includes items 5,6)	
10	Cover & Bowl			
11	Vinyl skirt			
12	Inlet tube			
13	Base molding left			
14	Main housing	2448157		
15	Main housing seal	35781		
16	Slide ez valve with handle	35770		
	Slide ez valve with longer shaft	35771		
	Slide ez valve repair package	35776		
17	Handle		35780	
18	Retaining ring			
19	Slide			
20	Mounting bracket			
21	Screw			
22	Closet flange seal			
23	Nut			
24	Closet bolt			
25	Screw			
26	Base molding right			
27	Filter cone	35773		
28	Pump	35784	35774 (+Items 31,32,33,34)	
	Motor 12V	35785		
29	Screw			
28	Pump	35784	35775 (+items 31,32,33,34)	
	Motor 24V	35786		
29	Screw			
30	Screw			
31	Gasket			
32	Screw			
33	Lock washer		35790 (+Items 29,31)	
34	Nut			
35	Grommet			
36	Level indicator	35772		
37	Cable			
38	Motor Cover		35777	
39	Screw			
40	Switch	35789		

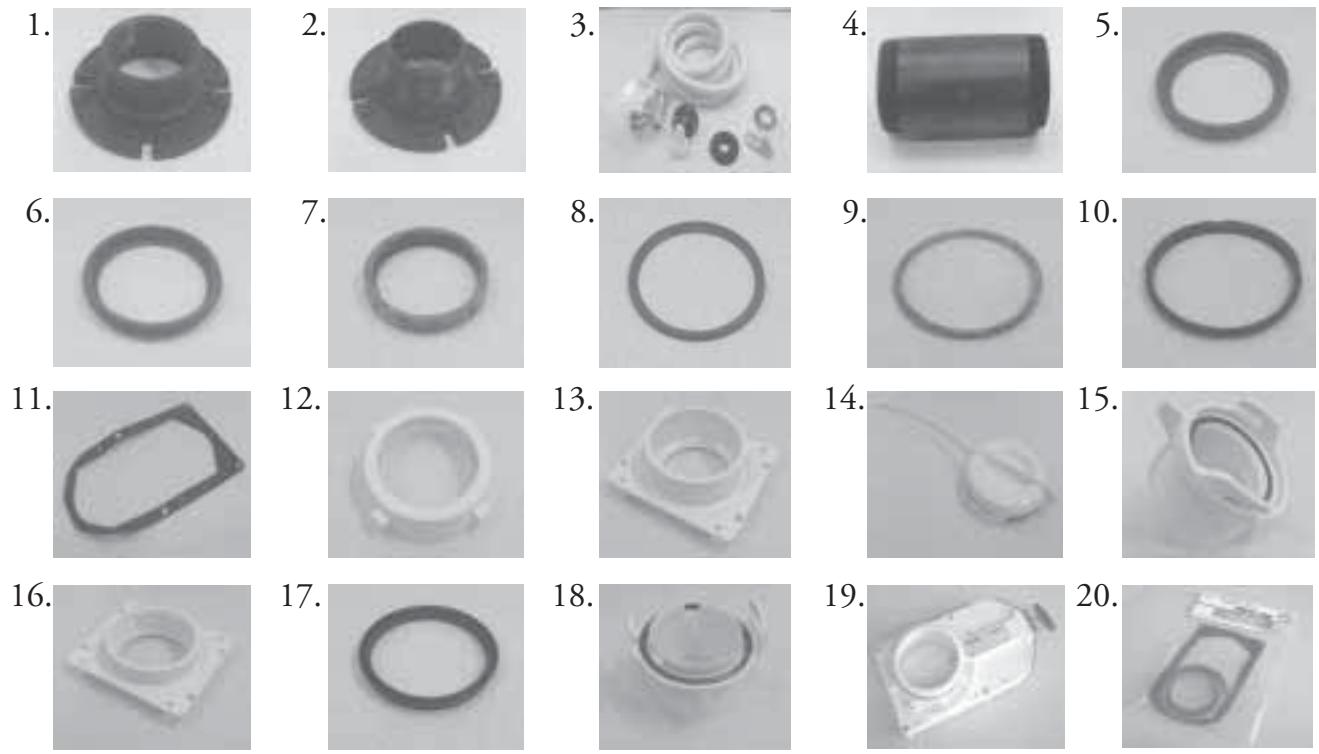
Aqua Magic Bravura



Aqua Magic V



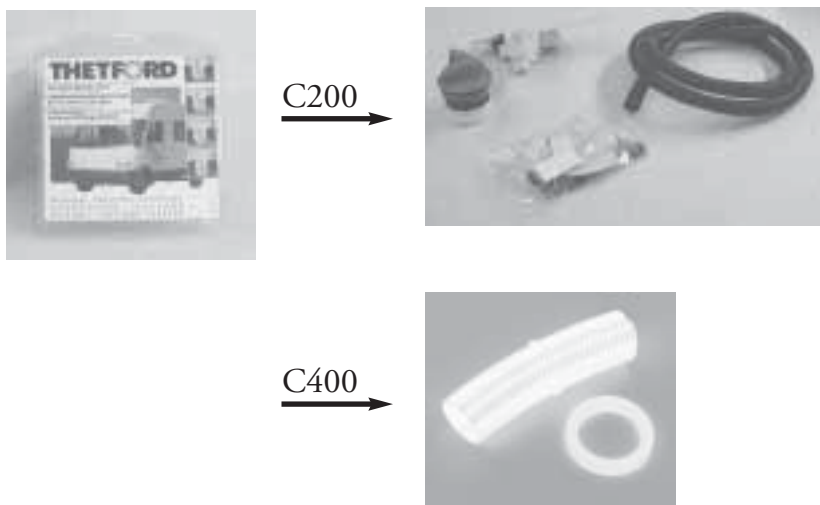
Accessories Aqua Magic and Electra Magic



Accessories Electra Magic



Accessorie for Cassette C200/C400



Accessories Aqua Magic and Electra magic

	Sparepart	Sparepart number
1.	Closet flange MPT	02620
2.	Closet flange FPT	02621
3.	Vent kit	
4.	Nipple	08648
5.	Blade seal	08308 (For toilets produced until 30 March
6.	Blade seal	24654 (For toilets produced after 30 March
7.	Seal	
8.	Seal hub	
9.	Seal valve	01436
10.	Seal valve	01457
11.	Seal perimeter	
12.	Bayonet ring	0163962
13.	Adaptor bond-on	0165962
14.	Cap	01664
15.	Hose adaptor (curved)	01665
16.	Adaptor threaded	0195962
17.	Seal hopper	
18.	Bumper hose adaptor	02593
19.	Slide ez Valve	35770
20.	Slide ez Valve seal package	35776

Accessories Electra Magic

1.	Term. Conv. Kit vrl.	
2.	Term. Conv. Kit mnl.	
3.	Slide ez Valve	35771

Accessorie Cassette C200/C400

Outside vent C200	23786
Outside vent C400	32324

Accessories Cassette C250

- Filter automatic ventilator 50702
 - Automatic ventilator 50703
 - Holdingtank multi level indicator 50704
- available from January 1st 2008

Porta Potti : Parts – Ersatzteil – Pièces détachées – Onderdelen – Componenti – Componentes

GB	D	F	NL	I	ES
Cover	Toiletendeckel	Couvercle	Deksel	Coperchio	Tapadera
Seat	Toiletensitz	Lunette	Bril	Secluta	Asiento
Waterfill cap	Kappe Frischwassertank	Bouchon du réservoir supérieur	Dop watertank	Tappo serbatoioacqua	Tapón
Watertank upper	Wassertankoberteil	Partie supérieure du réservoir d'eau	Bovendeel watertank	Parte superiore serbatoio acqua	Depósito aguas limpias
Weld watertank	Schweissnaht	Soudure	Lasnaad watertank	Saldatura serbatoio acqua	Soldadura depósito
Watertank lower	Wassertankunterteil	Partie inférieure du réservoir d'eau	Onderdeel watertank	Parte inferiore serbatoio acqua	Depósito inferior
Bellow	Pumpe	Pompe	Pomp	Pompa a soffietto	Fuelle
Inlet tube	Ansaugschlauch	Tube du clapet	Aanzuigbuis	Tubi di immissione	Válvula
Check valve body	Ventilgehäuse	Valve plastique	Terugslagklep	Valvola aspirazione	Comprador válvula
Check valve flapper	Ventilplatte	Lentille du clapet	Ventiel terugslagklep	Farfalla anto svuotamento	Comprador cierre válvula
Flush tube	Spülschlauch	Tube de rinçage	Waterslang	Tubo	Tubo descarga
Spring-seal-plunger	Feder-Ventildichtung-Kugelventil	Ensemble valve du tube de vidange	Binnenwerk waterslang	Valvola di uscita acqua	Cabeza salida agua
O-ring	O-Ring	Joint du bec jet d'eau	O-ring	Guarnizione O.R.	Arandela
Nozzle	Spüldüse	Bec jet d'eau	Spuitstuk	Beccuccio	Extremo salida agua
Clasp handle	Entriegelungshebel	Verrou	Hendel voor ontgrendeling	Manopola di apertura	Palanca cierre
Clasp spacer	Distanzhülse	Goupille de vis du verrou	Busvergrendeling	Boccola scorrimento manopola	Brida
Screw	Schraube	Vis	Schroef	Vite	Tornillo
Pour out Spout	Entleerungsstutzen	Bras de vidange	Schenktuit	Tubo di scarico	Tubo vaciado
Capseal	Dichtung	Joint du bouchon	Afichting voor dop	Guarnizione del tappo	Arandela
Dump cap	Schraubkappe	Bouchon du bras de vidange	Dop schenkuit	Tappo di scarico	Tapón de cierre
Ventseal	Dichtung	Joint d'évent	Ontluchtingsrubber	Guarnizione di sfiato	Salida aire
Vent button	Belüftungsknopf	Bouton-poussoir	Beluchtingsknop	Pulsante di ventilazione	Botón salida aire
Spring	Feder	Ressort	Veer	Molla	Muelle
Seal retainer	Dichtungshalter-auflage	Base du bouton-poussoir	Beluchtingsrubber	Base del pulsante con guarnizione	Arandela de retención
Holdingtank upper	Abwassertankoberteil	Partie supérieure du réservoir inférieur	Bovendeel afvaltank	Parte superiore serbatoio scarico	Depósito residuales
Weld holdingtank	Schweissnaht	Soudure	Lasnaad afvaltank	Saldatura serbatoio scarico	Soldadura depósito residuales
Holdingtank lower	Abwassertankunterteil	Partie inférieure du réservoir inférieur	Onderdeel afvaltank	Parte inferiore serbatoio scarico	Depósito residuales inferior
Valve handle	Schiebergriff	Poignée du réservoir inférieur	Hendel	Maniglia	Eje de cierre
Boot seal	Dichtung Schiebergriff	Joint accordéon de la poignée	Afichting hendel	Guarnizione a calza	Goma palanca
Blade	Schieberblatt	Clapet	Afsluitschuif	Valvola a ghigliottina	Guia de cierre
Retainer	Schieberhalterung	Fixation du clapet	Geleider afsluitschuif	Guida	Retenedor palanca
Lipseal	Schieberdichtung	Joint de clapet	Afsluitrubber	Guarnizione di scarico	Arandela goma
Clip retainer	Halteklammer	Plaque de retenue	Houder opbergvak	Aletta di bloccaggio	Clip de retención
Watertank complete	Wassertank komplett	Réservoir d'eau complet	Watertank compleet	Serbatoio acqua completo	Depósito agua limpias completo
Holdingtank complete	Abwassertank komplett	Réservoir complet	Afvaltank compleet	Serbatoio di scarico completo	Depósito residuales completo
Bezel	Gehäusefüllstandsanzeiger	Boîtier du voyant	Kap niveau-aangever	Alloggiamento dell'indicatore	Nivel

Lens	Glas	Protection transparente	Kijkvenster	Finestra trasparente	Pantalla nivel
Weight	Füllstandsanzeige	Partie inférieur du voyant	Magneet nveau-aangever	Contrappeso	Medidor nivel
Decal level indicator	Anzeigewelle rot-grün	Braquet du voyant	Sticker groen-rood	Adesivo colorato	Indicador nivel
Dial	Magnet	Aimant	Magneet-houder	Calamita	Disco
Magnet	Gewicht	Poids	Magneet	Calamita	Imán
Float arm	Schwimmer	Flotteur de l'indicateur de niveau	Vlotter	Gallegiante	Cajetín indicador nivel
Button housing	Batterieinsatz	Ensemble boîtier pile-interrupteur	Batterijhouder	Alloggiamento del pulsante	Compartimiento batería
Pump housing	Pumpe	Pompe	Pomp	Alloggiamento della pompa	Compartimiento bomba

Cassette C2/C3/C4 Parts – Ersatzteil – Pièces détachées – Onderdelen – Componenti – Componentes

GB	D	F	NL	I	ES
Spring clip retainer	Feder halteklammer	Ressort du clip de retenue	Veer	Molla aletta bloccaggio	Muelle de retención ajustable
Clip retainer	Halteklammer	Fixation du clip de retenue	Clipbevestiging	Fissaggio aletta di blocco	Clip de retención
Clip	Halterung	Clip de retenue	Clip	Aletta di bloccaggio	Clip
Drip tray	Tropfplatte	Tablette réceptacle	Opvangplaat	Salvagoccia	Bandeja goteo
Draincap waterfillfunnel	Kappe	Bouchon de vidange	Dop watervullies	Tappino di scarico acqua	Desagüe tapón inferior
Waterfillfunnel	Wassereinfüllstutzen	Préservoir	Watervullies	Imbuto di scarico acqua	Tubo entrada agua
Cap waterfillfunnel	Verschlusskappe	Bouchon du préservoir	Dop watervullies	Tappo dell'imbuto	Tapón tubo entrada agua
O-ring	O-Ring	Joint du préservoir	O-ring watervullies	Guarnizione O.R.	Arandela goma
Ball float	Kugelventil	Billie	Vlotterbal	Sfera	Indicador nivel
Stop retainer	Spülknopf Aufnahme	Butée de la poignée	Spoelknop aanslag	Meccanismo guida manopola	Tope de retención
Nylon bushing	Scheibe	Rondelle	Schijf	Rondella piatta nylon	Nylon descarga agua
Spring flush knob	Feder	Ressort	Veer	Molla manopola	Interruptor descarga agua
Flush knob	Spül-Schieberknopf	Commande d'ouverture – de rinçage	Spoelknop	Manopola apertura-risciacquo	Mando descarga agua
Screw	Schraube	Vis	Schroef	Vite	Tornillo
Plug flush knob	Kappe	Cache	Afdekdopje	Tappino manopola	Botón descarga agua
Cover	Toilettendeckel	Couvercle	Deksel	Coperchio	Tapadera
Hinge post	Scharnier	Axe de fixation du siège	Scharnier	Cerniera fissa	Fijación asiento bisagra
Hinge pin	Scharnierstift	Charnière de fixation du siège	Scharnierpen	Perno della cerniera	Clavija de fijación bisagra
Seat	Toiletensitz	Lunette	Bril	Secuta	Asiento
Tissue cap	Kappe	Couvercle du logement du papier	Toiletrolkap	Coperchio porta carta	Tapa compartimiento papel
Tissue holder	Toilettenpapierhalter	Support du papier toilette	Toiletrolhouder	Supporto rotolo carta	Soporte papel
Tissue bracket	Halterung	Base du support	Bevestiging toiletrol	Base del supporto	Base soporte papel
Tissuewell	Toilettenpapierfach	Logement du papier toilette	Toiletrolhouder	Contentitore porta carta	Alojamiento papel
Bowl	Toilettenbecken	Cuvette	Toiletpot	Tazza	Taza inodoro
Dial support	Halter	Support du voyant	Houder niveau-aangever	Supporto dell'indicatore	Soporte nivel
Magnet	Magnet	Aimant	Magneet	Calamita	Imán

Level indicator dial	Anzeigewelle	Voyant indicateur de niveau	Houder niveau-aangever	Indicatore del livello	Indicador nivel
Decal level indicator	Füllstandsanzeige	Partie inférieure du voyant	Sticker rood-groen	Adesivo colorato	Parte inferior nivel
Lens	Glas	Protection transparente	Plastic kapje	Finestra trasparente	Protector
Level indicator bezel	Anzeigengehäuse	Boîtier du voyant	Huis niveau-aangever	Alloggiamento dell'indicatore	Indicador nivel
Watertank	Frischwassertank	Réservoir à eau	Watertank	Serbatoio acqua	Depósito aguas limpias
Base	Toilettensockel	Embase	Onderzijde toilet	Base	Base
Frontpanel	Socketblende	Réglette inférieure	Afwerkpaneel	Pannello anter. passa cavi	Panel frontal
Basepad	Schaumstoffsockel	Socle	Ophoging	Basamento	Plataforma
Extension frontpanel	Adapter Socketblende	Réglette complémentaire	Aanvulling afwerkpaneel	Prolunga passa cavi	Extensión panel frontal
Pump	Spülpumpe	Pompe	Pomp	Pompa	Bomba
Pump retainer	Pumpenhalter	Fixation de la pompe	Pomphouder	Alloggiamento della pompa	Tapa
Flush tube	Spülschlauch	Tube de rinçage	Waterslang	Tubo	Tubo descarga
Nozzle	Spüldüse	Bec jet d'eau	Spuitstuk	Beccuccio	Extremo salida agua
Flow restrictor	Reduzierstück	Restricteur de pression	Reduceerbuisje	Riduttore di flusso	Restrictor de presión
Connection draitube	Verbindung Entleerungsrohr	Orifices pour branchement	Aansluiting aftapslang	Innesto tubo svuotamento	Conexión tubo drenaje
Drain connector	Gumminippel	Support du tube de vidange	Gummi afdichting	Tappino svuotamento	Conector drenaje
Bracket	Halter	Crochet de retenue du tube de vidange	Houder	Staffa sostegno	Abrazadera
Sight glass	Schauglas	Tube de verre	Kijkglas	Tubo trasparente	Cristal indicador
Draintube	Entleerungsrohr	Tube de vidange	Aftapslang	Tubo svuotamento	Tubo de goma
Clamp collar	Klammer	Collier du tube de vidange	Bevestigingsklem	Nipplo	Aro tubo de goma
Blind plug	Blindstopfen	Bouchon obturateur	Gummi afdichting	Tappo	Botón obturador
Skiffy fastener	Befestigung	Attache plastique	Plastic schroefje	Aggancio rapido	Tornillo plástico
Splash guard	Spritzschutz	Plaque de protection	Afdekkap	Placchetta protezione	Placa protección
Mechanism housing	Mechanismusgehäuse	Boîtier du mécanisme	Mechanisme	Vano meccanismo apertura	Soporte del mecanismo
Switch	Schalter	Contacteur	Schakelaar	Microinterruttore	Contacto
Washer	Unterlegscheibe	Rondelle	Onderlegplaatje	Rondella	Tornillo
Saddle	Schieberknauflührung	Rail de guidage	Knop geleiding	Forcella apertura scarico	Arandela
Switch cover	Abedekkappe	Protection du contacteur	Afdekkap schakelaar	Protezione microinterruttore	Protección contacto
Cap fuse holder	Schraubkappe	Bouchon fusible	Zekeringkap	Alloggiamento fusibile	Funda fusible
Glass fuse 3 amp.	Glassicherung 3 amp.	Fusible de verre 3 amp.	Glaszekering 3amp.	Fusibile in vetro 3 A.	Fusible 3 amp
Fuse	Sicherung 3 amp.	Fusible 3 amp.	Steekzekering 3amp.	Fusibile	Fusible
Cable	Kabel	Câblage	Kabel	Cavi cablati	Cable
Link	Mechanismussteg	Tige du mécanisme	Verbindingsstuk	Braccio di collegamento	Pieza mecanismo
Crank	Hebelarm	Rotule du mécanisme	Draaiarm	Snodo	Rotula mecanismo
Spring	Feder	Ressort de la tige du mécanisme	Veer	Molloa	Resorte
Plug fill bottle	Verschlusskappe	Bouchon de l'orifice du pré-réservoir	Afdichtdop	Tappo orificio imbuto	Tapón botella llenado
Bowflange	Flansch	Embase de la cuvette	Flens	Flangia collo di scarico	Ervaso de la cubeta
Bench/Watertank	Frischwassertank	Réservoir à eau	Watertank	Mobile contenitore acqua	Alargo tanque del agua
Magnet basket	Gegenmagnet-Schieberabdeckung	Logement de l'aimant	Magneethouder	Scatolina con magnete	Caja imán
Watersupply tube	Schlauch	Tube de rinçage	Waterslang	Tubo acqua risciacquo	Tubo suministro de agua

Electric valve	Magnetventil	Electrovanne	Magneetventiel	Elettrovalvola	Válvula eléctrica
Hose barb	Überwurfmutter	Connection de l'électrovanne	Aansluiting magneetventiel	Manicotto	Funda
Hose nut	Gewinde	Connection de l'électrovanne	Aansluiting magneetventiel	Flettatura elettrovalvola	Tuerca
Watertube	Wasserschlauch	Tuyau d'eau	Waterslang	Tubo uscita da elettrovalvola	Tubo agua
Clamp	Schlauchklemme	Collier	Slangklem	Fascetta	Brida
Vacuumbreaker	Vakuumenterbrecher	Valve anti-retour	Vacuumenterbreker	Valvola anti svuotamento	Tirador sanitario agua
Flush tube	Spülschlauch	Tube de rinçage	Waterslang	Tubo risciacquo	Nivel
Electric connection mechanism	Steckverbinder Mechanismus	Prise électrique	Aansluiting mechanisme	Spinotto meccanismo interruttori	Mecanismo de conexión eléctrico
Electric connection valve	Steckverbinder Magnetventil	Prise de électrovanne	Aansluiting magneetventiel	Spinotto elettrovalvola	Válvula eléctrica de conexión
Electric connection relay	Steckverbinder Relais	Prise de relais	Aansluiting relais	Spinotto relè	Conexión eléctrica de paro
Relay	Relais	Relais	Relais	Relè	Paro
Flush cap	Spülknopf	Commande de rinçage	Spoelknop	Impugnatura pompa	Capuchón nivel
Cylinder flush	Adapter Spülknopf	Cylindre de pompe	Cilinder	Cilindro della pompa	Cilindro capuchón
Below cap	Platte	Rondelle de plastique	Afoekkap	Rondella soffietto	Cabeza de fuelle
Bellow	Pumpenkörper	Soufflet	Pomp	Soffietto	Fuelle
Well pump	Pumpengehäuse	Boutier de la pompe	Pomphouder	Vano della pompa	Hueco bomba
Inlet tube	Ansaugschlauch	Tube de clapet	Aanzuigbuis	Tubo immissione pompa	Tubo válvula admisión
Check valve body	Ventilgehäuse	Valve plastique	Terugslagklep	Valvola aspirazione	Verificador cuerpo válvula
Check valve flapper	Ventilplatte	Lentille du clapet	Ventiel terugslagklep	Farfalla anti svuotamento	Verificador cierre válvula
Draintube plug	Verschlussstopfen	Branchement du tube vidange	Afsluitplug	Tappo tube di scarico	Tubo goma
Adaptor draitube	Adaptor Entleerungsschlauch	Coude adaptateur	Aftapslang adapter	Nipplo a gomito	Adaptador tubo goma
Holdingtank lower	Abwassertank unterteil	Base du réservoir	Onderzijde aftaltank	Parte inf. serbatoio scarico	Depósito inferior
Carry handle	Tragegriff	Poignée	Handvat	Maniglia trasporto	Transportador manual
Weld holdingtank	Schweissnaht	Soudure	Lasnaad	Saldatura serbatoio scarico	Soldadura superior
Sliding cover	Schieberabdeckplatte	Couvercle coulissant	Afoekplaat	Coperchio scorrevole	Deslizante agua envase
Lipseal	Schieberdichtung	Joint de clapet	Afsluitrubber	Guarnizione di scarico	Arandela goma
Seal cover	Abdeckplatte	Collerette	Bevestigingsring	Ghiera bloccaggio guarnizione	Brida
Blade opener	Schieberknauf	Ouverture du clapet	Schuifknop	Manopola apertura scarico	Abertura del depósito
Cupseal	Dichtung	Joint de l'ouverture de clapet	Pakking	Guarnizione della manopola	Junta abertura del depósito
Venthole	Druckausgleichsventil	Trou d'évent	Ontluchtingsgat	Foro di sfato	Orificio de vacío
Ventseal	Dichtung	Joint d'évent	Ontluchtingsrubber	Guarnizione di sfato	Salida aire
Automatic vent upper	Oberteil Entlüftungsventil	Partie supérieure évent automatique	Bovenzijde ontluchting	Valvola sfato automatica	Orificio automático superior
Seal automatic vent	Dichtung	Joint évent automatique	Afichting	Guarnizione valvola automatica	Junta orificio automático
Foam	Schwimmer	Mousse	Schuimblok	Spugna	Ratón
Float vent	Schwimmer	Flotteur de l'évent	Ontluchtings vlotter	Valvola galleggiante	Junta flotante
Blade driver	Hebel	Rotule de clapet	Schuifaandrijving	Trascinamento ghigliottina	Palanca junta
Blade	Schieberblatt	Clapet	Schuif	Valvola a ghigliottina	Palanca
Blade retainer	Schieberhalterung	Fixation du clapet	Schuifgeleiding	Guida scorrimento ghigliottina	Palanca fijación
Blade arm driver	Schieberblattführung	Guide du brase de clapet	Schuifarm	Braccetto sostegno ghigliottina	Soldadura palanca
Washer	Unterlegscheibe	Goupille	Vulring	Rondella	Pieza agua

Blade arm	Schieberblatthalterung	Bras de clapet	Schuifaandrijving	Braccio trasciam ghigliottina	Armadura pieza
Drive arm retainer	Halterung	Clip de retenue du guide de bras de clapet	Bevestigingscolp	Bloccaggio apertura scarico	Despiece fijación
Track support	Schieberführung	Rail de guidage	Schuifgeleiding	Guida scorrimento ghigliottina	Vía soporte
Float arm	Schwimmer	Flotteur complet du réservoir	Vlotter	Gallegiante	Cajetín indicador nivel
Holdingtank upper	Abwassertankoberteil	Soudure du réservoir	Bovenzijde afvaltank	Parte super. serbatoio scarico	Depósito superior
Holdingtank RH complete	Abwassertank Rechts	Réservoir droit	Afvaltank rechts	Serbatoio scarico destro	Depósito completo RH
Holdingtank LH complete	Abwassertank Links	Réservoir gauche	Afvaltank links	Serbatoio scarico sinistro	Depósito completo LH

Cassette C200 S/CS/CW/CWE Parts – Ersatzteil – Pièces détachées – Onderdelen – Componenti – Componentes

GB	D	F	NL	I	ES
Cover	Toiletendeckel	Couvercle	Deksel	Coperchio	Tapadera
Seat	Toiletensitz	Lunette	Bril	Seduta	Asiento
Hinge pin	Scharnierstift	Charnière de fixation du siège	Scharnierpen	Perno della cerniera	Clavija de fijación bisagra
Bowl	Toilettenbecken	Cuvette	Toiletpot	Tazza	Taza inodoro
O-ring	O-ring	Joint du bec jet d'eau	O-ring	Guarnizione O.R	Arandela goma
Nozzle	Spüldüse	Bec jet d'eau	Spuistuk	Beccuccio	Extremo salida agua
Watersupply tube	Spülschlauch	Tube de rinçage	Waterslang	Tube acqua risciacquo	Tube suministro de agua
Screw	Schraube	Vis	Schroef	Vite	Tornillo
Bowl retainer bracket	Flanschhalterung	Stabilisateur de cuvette	Toiletpot bevestigingsbeugel	Bloccaggio collo scarico	Estabilizador de la cubeta
Magnet basket	Gegenmagnet Schieberabdeckung	Logement de l'aimant	Magneethouder	Scatolina con magnete	Caja imán
Base upper	Unterteiloberseite	Partie haute	Bovenzijde toilet	Base superiore	Base superior
Base lower	Unterteilunterseite	Partie basse	Onderzijde toilet	Base inferiore	Base inferior
Handle	Schiebergriff	Poignée	Bedieningshendel	Impugnatura	Palanca manual
Screw	Schraube	Vis	Schroef	Vite	Tornillo
Bushing	Unterlegscheibe	Goupille	Afstandsbus	Boccola impugnatura	Fijador
Seal handle	Dichtung	Joint de poignée	Afichtkraag	Gommino copri impugnatura	Junta palanca
Link	Schieberstange	Tige	Aandrijfarm	Tirante	Tornillo
Saddle	Schieberknaufführung	Mécanisme de poignée	Schuifknop aandrijving	Forcella apertura scarico	Mecanismo de apertura
Saddle bracket	Halterung	Tige de la poignée	Bevestigingsplaat	Placca alloggiamento forcella	Junta de abertura
Console	Konsole	Console	Console	Mobile console	Goma protección
Battery container	Batteriehalterung	Boitier des piles	Batterijhouder	Alloggiamento batterie	Alojamiento batería
Reed switch	Schalter	Contact de l'indicateur	Magneetschakel	Interruttore a lamelle	Fusible
Wiring harness	Kabelsatz	Équipement électrique	Kabelboom	Cavi cablati	Cables eléctricos
Led C200CW	Led-Füllstandsanzeige	Témoins indicateur de niveau	Led	Lampadina	Led indicador
Manual pump	Handpumpe	Pompe manuelle	Handpomp	Pompa manuale	Bomba manual
Waterfill door	Tür für Wasserbefüllung	Portillon d'accès réservoir d'eau	Water vuldeur	Sportello sraico acqua	Puerta agua limpia
Vacuum breaker	Vakuumenterbrecher	Valve anti-retour	Vacuumenterbreker	Valvola anti svuotamento	Tirador sanitario agua

Water tube	Wasserschlauch	Tube d'arrivée d'eau	Waterslang	Tubo uscita da elettrovalvola	Tubo agua
Pump	Spülpumpe	Pompe	Pomp	Pompa sommersa	Bomba
Bezel	Gehäuse für Spülknopf	Panneau de commande	Afdekkap	Pannellino comandi	Panel de mando
Adaptor bezel	Adapter	Bague de fixation panneau de commande	Afstandshouder	Perno fissaggio pannellino	Adeptador panel mando
Switch	Schalter	Contacteur	Schakelaar	Interruttore	Contacto
Waterfuse bracket	Sicherungshalter	Logement du fusible	Zekeuringhouder	Staffa alloggiamento fusibile	Brazo tirador agua
Switch panel	Gehäuse	Panneau de commande inférieure	Schakelaar montageplaat	Staffa porta interruttore	Panel entrada
Flush switch	Spülknopf	Bouton de rinçage	Spoelknop	Interruttore	Panel nivel
Screw cover	Abdeckplatte	Cache vis	Afdekkap	Copertura viti	Cierre

Aqua Magic / Electra Magic Parts – Ersatzteil – Pièces détachées – Onderdelen – Componenti – Componentes

Colourindex

	Code
06 Grey	not available
10 Ivory	83222
16 Green	RAL 6016
44 Beige	05543P
45 Brown	05541P
57 Parchment	RAL 9001
62 White	RAL 9003
68 Grey white	RAL 9002
69 Stone Grey	RAL 7030
70 Jasmin	12/23412/PP
74 Moon grey	Pantone 417
78 Yellow	RAL 1003
79 Edelweiss	Ideal-Std. 46
88 Grey brown	Not available
89 Granite	Not available
90 Antracite grey	RAL 7016

WWW. THETFORD-EUROPE.COM / E-MAIL: INFO@THETFORD.NL

Thetford B.V.
Nijverheidsweg 29
4870 AD Etten-Leur
Nederland
Tel.: +31 (0)76-5042200
Fax: +31 (0)76-5042300

Thetford GmbH
Schallbruch 14
D-42781 Haan
Deutschland
Tel.: +49 (0)2129-94250
Fax: +49 (0)2129-942525

Thetford Ltd.
Unit 6
Centrovell Ind. Estate
Caldwell Road
Nuneaton, Warwickshire
CV11 4UD, England
Tel.: +44 (0)2476-322700
Fax: +44 (0)2476-322705

Thetford S.A.R.L.
Boîte Postale 204
95614 Cergy Pontoise Cedex
France
Tel.: +33 (0)1-30375823
Fax: +33 (0)1-30379767

Thetford B.V.
Repres. Office Scan.
Bodaelsvägen 7
S-433 38 Partille
Sverige
Tel.: +46 (0)31-3363580
Fax: +46 (0)31-448570

Tecma srl-Thetford Italy
Via Flaminia
Loc. Castel delle Formiche
05030 Otricoli (TR)
Italy
Tel.: +39 (0)744-709071
Fax: +39 (0)744-719833

Mercè Grau-Sola
Agente para España y
Portugal
C/Llibertat, 103-105 Bajos
08800 Vilanova I la Geltru
Barcelona
España
Tel.: +34 (9)3815-4389
Fax: +34 (9)3815-6106

Copyright© 2003 Thetford B.V. All rights reserved.
Changes, printing, setting and translation mistakes excepted.
Date: August 2007