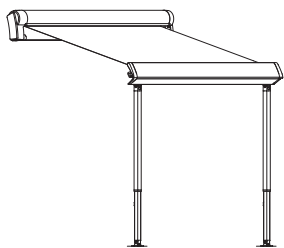
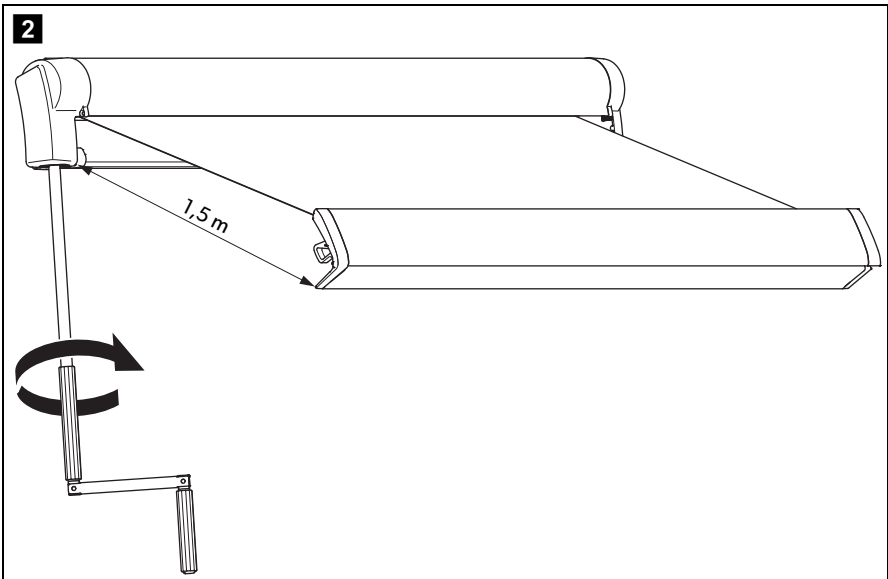
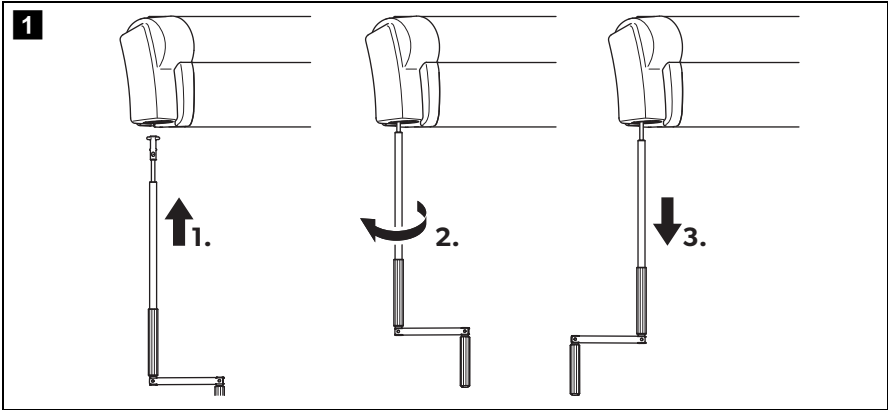


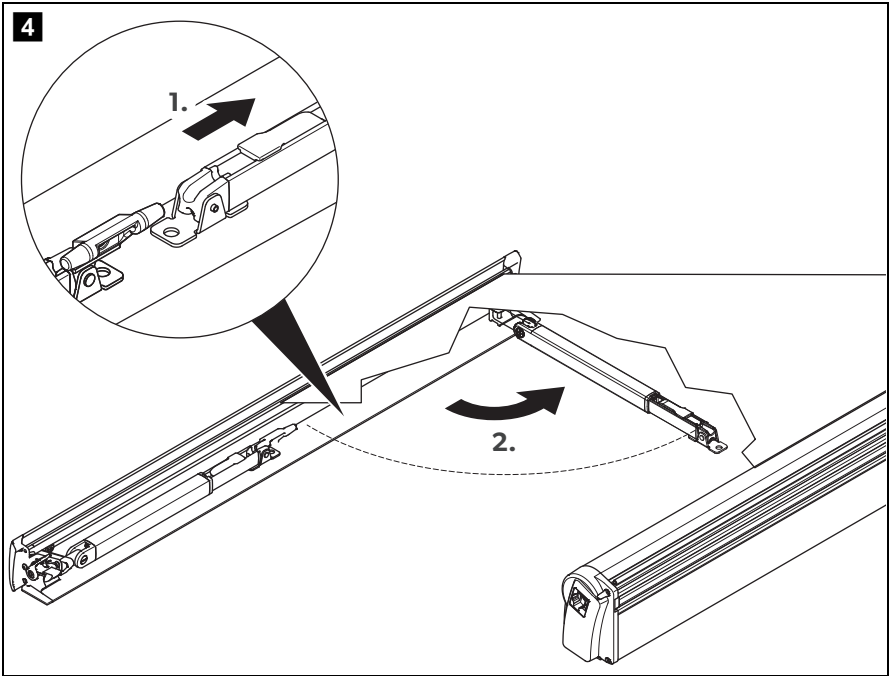
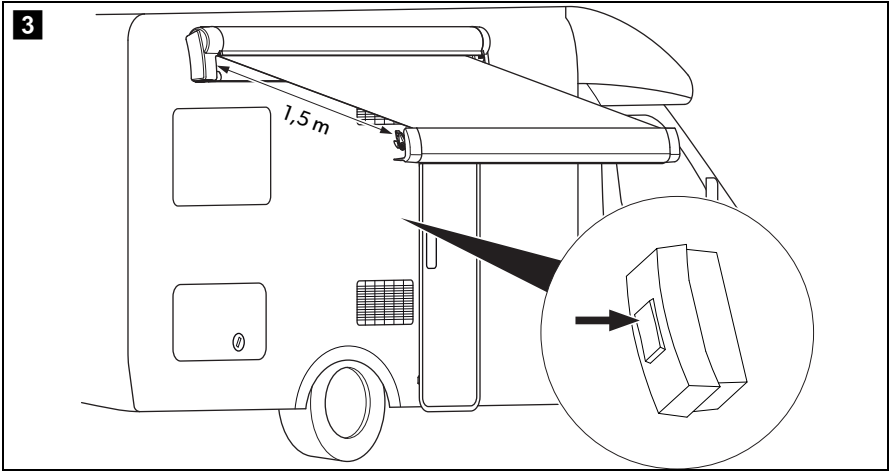
↗ DOMETIC AWNINGS PERFECTWALL

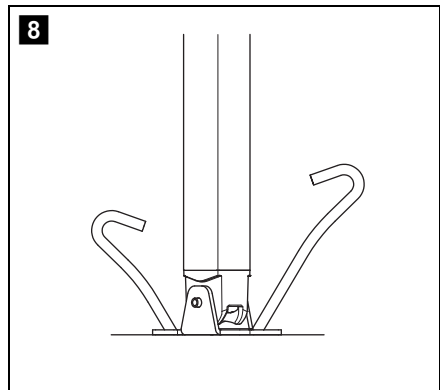
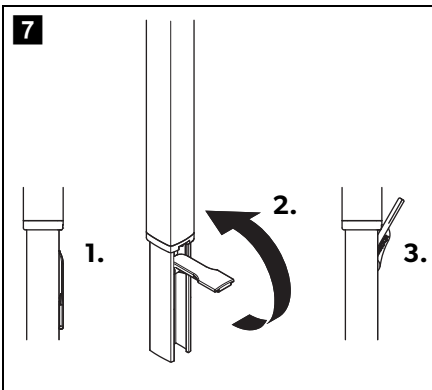
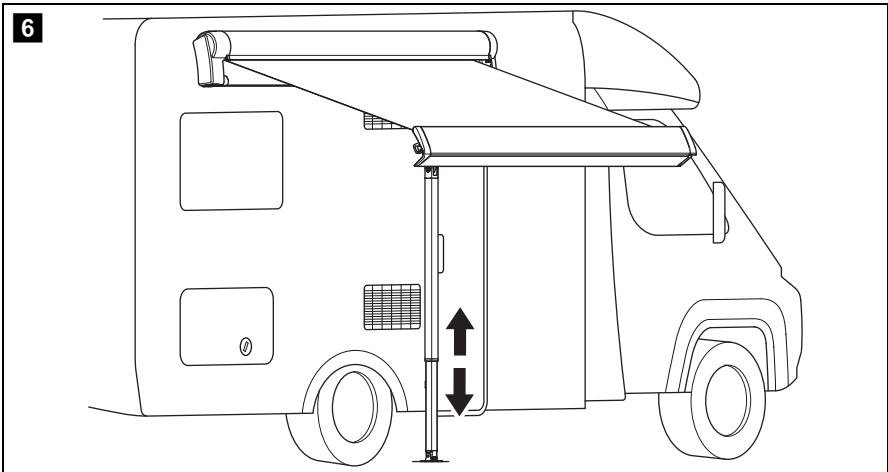
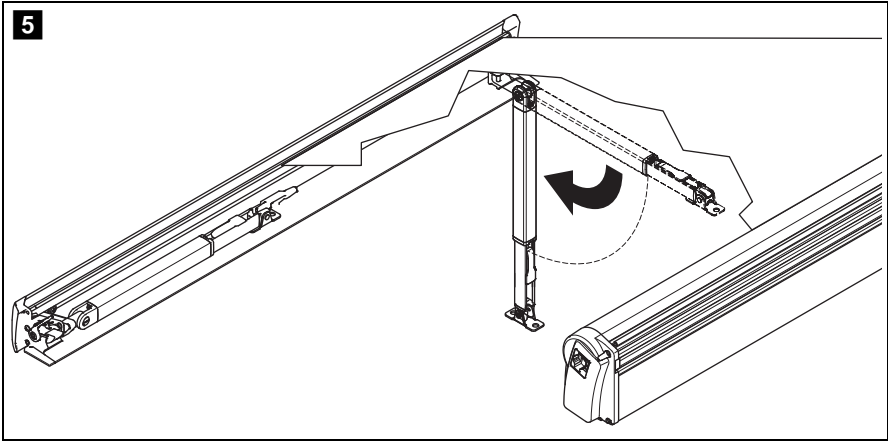


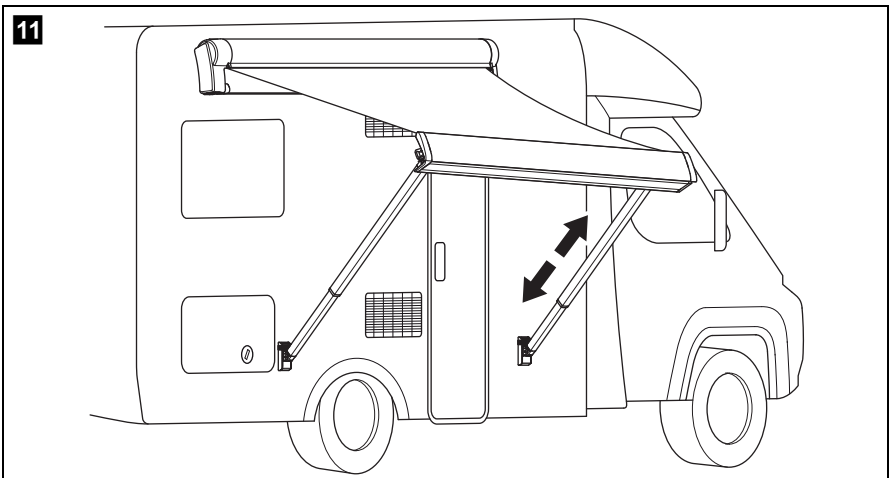
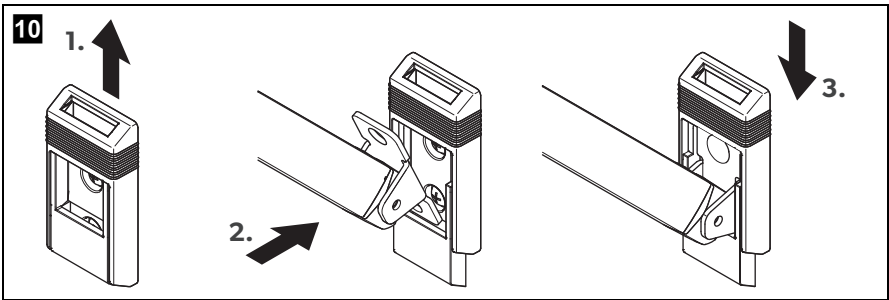
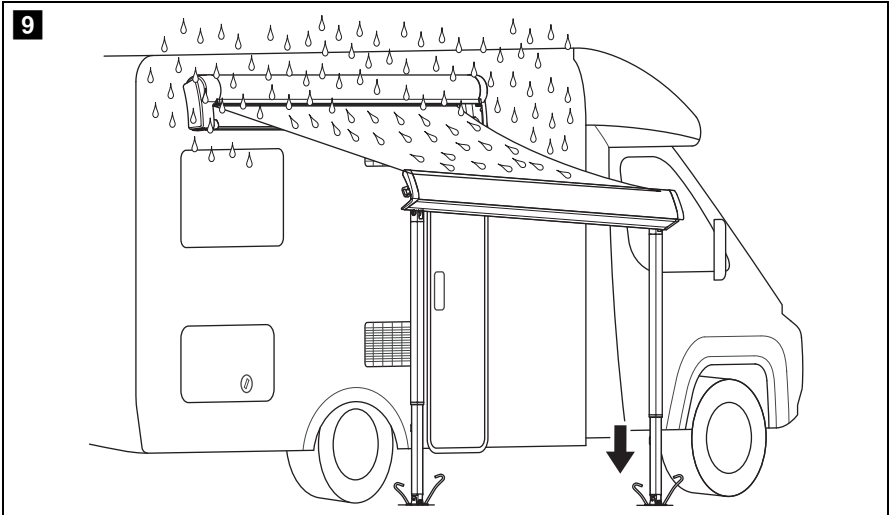
PW1000, PW1500

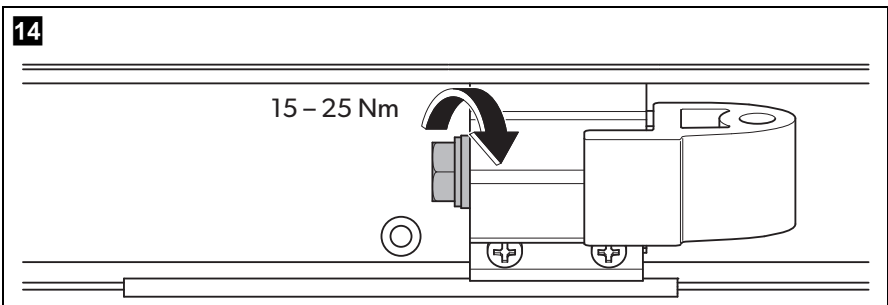
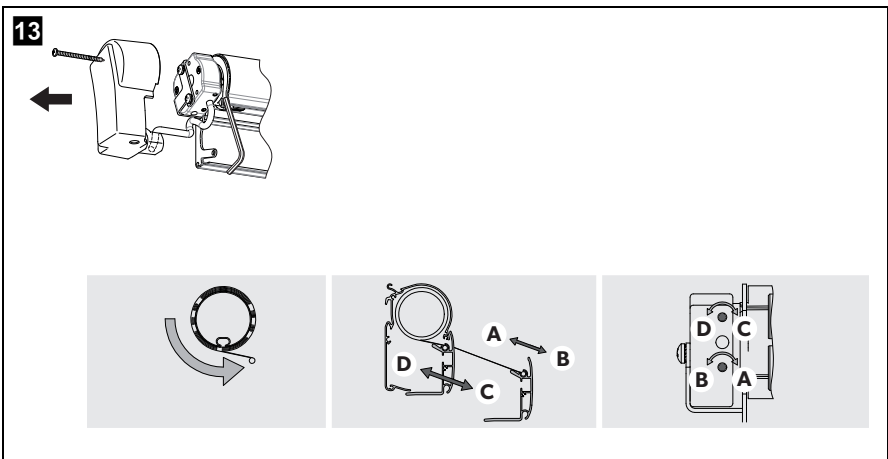
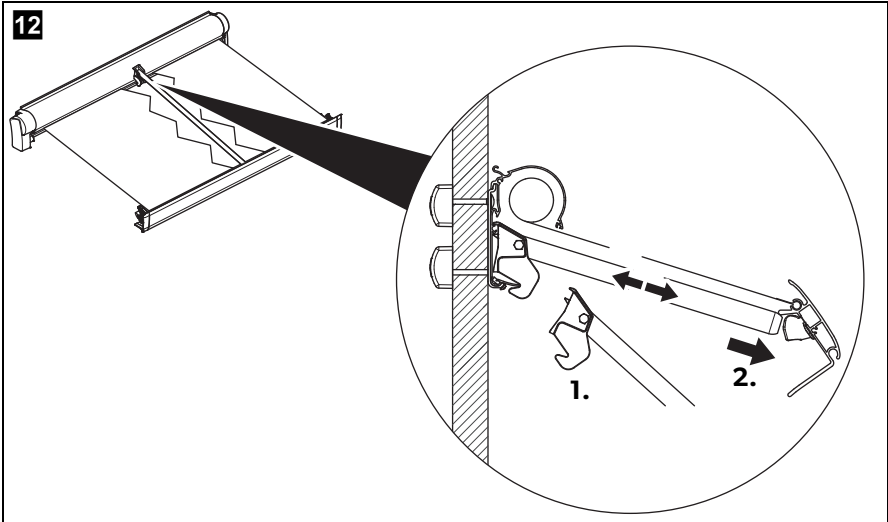
EN	Awning Operating manual	7
DE	Markise Bedienungsanleitung	20
FR	Store extérieuru Notice d'utilisation	35
ES	Toldo Instrucciones de uso	49
PT	Toldo Manual de instruções	63
IT	Tenda da sole Istruzioni per l'uso	77
NL	Zonnescherm Gebruiksaanwijzing	91
DA	Markise Betjeningsvejledning	105
SV	Markis Bruksanvisning	119
NO	Markise Bruksanvisning	133
FI	Markiisi Käyttöohje	147
RU	Маркиза Инструкция по эксплуатации	161
PL	Markiza Instrukcja obsługi	175
CS	Markýza Návod k obsluze	189
SL	Markiza Navodilo za uporabo	203
EL	Τέντα Οδηγίες χειρισμού	217













WARNING!

- This operating manual must be read and understood before the device is set up, operated, cleaned or serviced.
- This device must be installed by a specialist. Improper installation can lead to serious injury. Alterations to the device can be extremely dangerous and lead to serious injury or damage to the device.
- Keep this operating manual with the device. The owner must read it carefully.

Table of contents

1	Notes on using the operating manual	8
2	Safety instructions	8
3	Scope of delivery	10
4	Accessories	10
5	Intended use	10
6	Technical description	11
7	Operating the awning.	11
8	Cleaning and maintenance.	16
9	Warranty	18
10	Disposal.	18
11	Technical data	19

1 Notes on using the operating manual

**WARNING!**

Safety instruction: Failure to observe this instruction can cause fatal or serious injury.

**NOTICE!**

Failure to observe this instruction can cause material damage and impair the function of the product.

**NOTE**

Supplementary information for operating the product.

2 Safety instructions

Please observe the safety instructions and stipulations issued by the vehicle manufacturer and service workshops.

The manufacturer accepts no liability for damage in the following cases:

- Damage to the product resulting from mechanical influences and excess voltage
- Alterations to the product without express permission from the manufacturer
- Use for purposes other than those described in the operating manual

Please note the following warnings:

**WARNING!**

- Before starting your journey, check that the awning is fully retracted. Never move the vehicle when the awning is open.
- Never drive with the crank inserted. Remove the crank before starting your journey.
- Do not drive the vehicle if the fabric is damaged or torn, even if the awning has been properly retracted. The awning arms are held in place by the fabric. If the fabric rips while driving, the awning will suddenly shoot out. This can lead to serious injury. Secure the awning so that it cannot extend suddenly and unexpectedly while driving.
- Do **not** open the awning while driving.
- Do **not** open the awning in strong winds or snowfall.

- Retract the awning if strong winds, heavy rain or snowfall are imminent.
- Make sure that water or snow does not accumulate on the fabric. Otherwise this could damage the awning or the awning arms could collapse and cause severe injury or fatality.
- Do not approach the awning
 - if it was left open during heavy winds
 - if pools of water have formed on it
 - if snow has accumulated on it
 - if any debris is on the awning fabric.The awning may move unexpectedly, become unstable and bend or break.
- Do not leave the extended awning unattended. Retract the awning before leaving your location.
- Keep a safe distance away from the awning when having barbecues or open fires. The fabric can be damaged by heat or catch fire.
- This device can be used by children aged 8 years or over, as well as by persons with diminished physical, sensory or mental capacities or a lack of experience and knowledge, providing they are supervised, or have been taught how to use the device safely and are aware of the resulting risks.
- Children must be supervised to ensure that they do not play with the device.

**NOTICE!**

- Park the motorhome or caravan so that no debris (branches, leaves or similar) can get onto the fabric.
- The fabric of the awning should not hang down at the edges but must be taut at all times. If the fabric hangs down, it could rub on the arms and get damaged.
The fabric should not sag in the middle with long awnings.
- Only retract the awning, when the fabric is free of debris (branches, leaves or similar). Otherwise the awning can be damaged when it is retracted.
- Keep the awning free of dirt to prevent abrasions, stains and mildew.
- Only retract the awning if it is wet for safety reasons. Extend it again as soon as possible. Otherwise, mildew or stains can form or the colour may fade.
- Never bend an awning arm or the cover down to drain water off the awning. This can bend the awning and impair its function.

- Do not hang any objects on the awning, on the front cover or the awning arms.
- Do not use any sprays (e. g. insect repellent, hairspray) near the awning. This will soil the fabric or the water-repellent effect of the fabric will be lost.
- If there is insufficient space above the door after the awning is mounted, the door must remain closed when retracting or extending to avoid the door making contact with the arms or the front panel. The required space depends on the design of the door (door width, swing or sliding door) as well as the set awning angle of inclination.

3 Scope of delivery

Quantity	Designation
1	Awning
1	Operation manual
1	Installation manual

4 Accessories

Available as accessories (not included in the scope of delivery):

Description	Ref. no.
Dometic Light LK120 LED lighting with remote control for fitting on the awning arms	9106504018
Tie Down Kit Straps for anchoring the awning	9103104000

5 Intended use

The awnings PerfectWall PW1000 and PW1500 are suitable for installing on motorhomes or caravans.

The awnings shall only be used when the vehicle is stationary.

6 Technical description

The PerfectWall PW1000 and PW1500 are awnings which can be extended and retracted using a hand crank.

Optionally, the awning PerfectWall PW1500 can be extended and retracted using a 12 V motor.

The awnings are secured on the side of the vehicle or on the ground with struts.

7 Operating the awning

Observe the safety instructions in chapter "Safety instructions" on page 8.

7.1 Note on the vehicle location



NOTICE!

- Park the vehicle so that no debris (branches, leaves or similar) gets on to the fabric.
- Keep the awning free of dirt to prevent abrasions, stains and mildew.

7.2 Extending the awning

Extending the awning using a hand crank



WARNING! Beware of injury.

Keep a sufficient distance from objects or other vehicles. Once it is retracted, it should be at least 40 cm away from other objects and vehicles on all sides.

- Click the hand crank into the holder in the awning (fig. **1**, page 2).
- Turn the hand crank until the awning is extended by about 1.5 metres (fig. **2**, page 2).
- Push the right strut in the front cover together so that you can move it freely (fig. **4**, page 3).
- Turn the right strut to the side (fig. **4**, page 3).
- Fold the right strut down and set it on the ground (fig. **5**, page 4).
- Adjust the strut to the required height (fig. **6**, page 4).

- Fold the lever for the strut up to secure the struts (fig. **7**, page 4).
- Extend the other strut in the same way.
- Turn the hand crank until the awning is extended to the required position. Position the struts vertically and back under the front panel every 30 cm so that the awning stays secured at all times.
- Turn the hand crank approx. a quarter of the way back to tighten the fabric.

**NOTICE! Beware of damage.**

The fabric of the awning should not hang down at the edges, and must remain taut at all times. If the fabric hangs down, it could rub against the arms and become damaged.

The fabric used for long awnings should not sag in the middle.

- Remove the hand crank from the holder on the awning.

Extending the awning using a 12 V motor (only PW1500)**WARNING! Beware of injury.**

Keep a sufficient distance from objects or other vehicles. Once it is retracted, it should be at least 40 cm away from other objects and vehicles on all sides.

- Press the switch for the 12 V motor until the awning is extended by about 1.5 metres (fig. **3**, page 3).
- Push the right strut in the front cover together so that you can move it freely (fig. **4**, page 3).
- Turn the right strut to the side (fig. **4**, page 3).
- Fold the right strut down and set it on the ground (fig. **5**, page 4).
- Adjust the strut to the required height (fig. **6**, page 4).
- Fold the lever for the strut up to secure the struts (fig. **7**, page 4).
- Extend the other strut in the same way.
- Press the switch for the 12 V motor until the awning has extended to the required position. Position the struts vertically and back under the front panel every 30 cm so that the awning stays secured at all times.

- Press the switch for the 12 V motor until the awning has retracted far enough to tauten the fabric.



NOTICE! Beware of damage.

The fabric of the awning should not hang down at the edges, and must remain taut at all times. If the fabric hangs down, it could rub against the arms and become damaged.

The fabric used for long awnings should not sag in the middle.

Positioning the struts on the ground



WARNING! Beware of injury

- Only position the struts on solid ground.
- Secure the struts from slipping.

- Position the struts vertically underneath the front panel.
- Secure the struts with pegs (fig. **8**, page 4).
- Position one of the struts slightly deeper so that the front panel hangs at an angle. This allows rain to run off easier (fig. **9**, page 5).

Securing the struts on the vehicle

You can secure the awning on your vehicle directly if you have already mounted the latches for the struts.

- Slide the cover of the latch up (fig. **10**, page 5).
- Fit the strut into the latch (fig. **10**, page 5).
- Slide the cover of the latch down (fig. **10**, page 5).
- Position one of the struts slightly deeper so that the front panel hangs at an angle. This allows rain to run off easier (fig. **11**, page 5).

Mounting the tensioning arm

Awnings with a length of 4 m or more need to have a tensioning arm fitted in the middle of the awning. This prevents the awning from sagging.

- Slide in the tensioning rod (fig. **12**, page 6).
- Fit the top end of the tensioning arm into the attachment on the housing (fig. **12**, page 6).
- Slide the other end of the tensioning arm into the attachment in the front panel (fig. **12**, page 6).

7.3 Retracting the awning



NOTICE!

- Only retract the awning, when the fabric is free of debris (branches, leaves or similar). Otherwise, the awning can be damaged when it is retracted.
- Keep the awning free of dirt to prevent abrasions, stains and mildew.
- When retracting the awning, make sure that any branches or other objects are not trapped in it.

- Remove any debris (branches, leaves or similar) lying on the fabric.
- Loosen the struts from the fastenings (pegs or latches on the vehicle).

Retracting the awning using a hand crank

- Click the top end of the hand crank into the holder in the awning.
- Turn the hand crank until the awning is extended by only about 1.5 metres. Position the struts vertically and back under the front panel every 30 cm so that the awning stays secured at all times.
- Fold the lever of the right strut down to loosen the struts.
- Slide the struts together completely.
- Fold the right strut up.
- Turn the right strut into the front panel.
- Slide the bottom part of the right strut into the latch of the front panel.
- Retract the other strut in the same way.
- Turn the hand crank until the awning is fully retracted.
- Double-check that the awning is fully retracted before starting your journey. The front panel should be right up against the housing.
- Remove the hand crank from the holder on the awning.



NOTICE! Beware of damage.

If the awning is retracted when wet, extend it again and let the fabric dry out at the next opportunity. If the wet fabric stays rolled up for a long time, mildew will form and the fabric can fade.

Retracting the awning using a 12 V motor (only PW1500)

- Press the switch for the 12 V motor until the awning is only extended by about 1.5 metres. Position the struts vertically and back under the front panel every 30 cm so that the awning stays secured at all times.
- Fold the lever of the right strut down to loosen the struts.
- Slide the struts together completely.
- Fold the right strut up.
- Turn the right strut into the front panel.
- Slide the bottom part of the right strut into the latch of the front panel.
- Retract the other strut in the same way.
- Press the switch for the 12 V motor until the awning has retracted completely.
- Double-check that the awning is fully retracted before starting your journey. The front panel should be right up against the housing.



NOTICE! Beware of damage.

If the awning is retracted when wet, extend it again and let the fabric dry out at the next opportunity. If the wet fabric stays rolled up for a long time, mildew will form and the fabric can fade.

7.4 Adjusting the 12 V motor (optional)



NOTE

The 12 V motor is pre-assembled in the roller tube.

- If the awning no longer fully closes or opens, then adjust the 12 V motor (fig. **13**, page 6).

8 Cleaning and maintenance

8.1 Cleaning

**NOTICE! Risk of damage!**

- **Never** clean the awning with a high-pressure cleaner.
- Do not use abrasive cleaning agents or hard objects during cleaning, as these can damage the product.

- Remove any debris (twigs, leaves or similar) lying on the awning fabric to prevent abrasions, stains and mildew. The awning can also get damaged when it is retracted.
- Clean the awning fabric regularly to remove any dirt and dust:
 - To do this, use water with 30 ml detergent and 30 ml bleach for 10 l of water.
 - Soap down the fabric and leave the liquid to soak in for five minutes.
 - Rinse thoroughly with clean water.
Make sure that the detergent with the bleach is completely washed off. Otherwise it can damage the fabric.
 - Leave the fabric to dry.

**NOTE**

The manufacturer recommends:

- To clean the cloth, use the Clean&Care awning cleaner (ref. no. 9103501116, available from your service partner).

8.2 Lubricating

- If required, lubricate the joints of the awning with paraffin wax, teflon oil or silicone oil.

8.3 Checking



WARNING!

Do not use the awning if any settings or maintenance work are required. If you discover any damage, please contact the service partner in the respective country (see addresses on the back of the manual).

- Check the awning regularly for any imbalance and wear, as well as damage to major parts.
- Check the awning regularly:
 - Is the fabric free of damage?
 - Are the arms and front panel free of damage with no signs of wear?
 - Does the awning close properly?

8.4 Tightening the screws on the hinges

The screws on the hinges must be tightened up after being used for the first time:

- after the first holiday using the awning
- after driving 20000 km or six months after the awning was mounted (whichever occurs first)

The screws on the hinge also need to be checked during the routine vehicle inspection.

Contact your service partner to tighten up the screws.

Instructions for servicing (fig. 14, page 6)



NOTICE!

The awning arms must not bear any load. This is to prevent the fastening torque of the screws from being distorted.

- Lift up the front panel slightly so that the hinge does not bear any load.
- Tighten the screws with 15 – 25 Nm.

8.5 Patching small holes in the fabric

You can patch any small holes in the fabric or parts where the coating has come off:

- ▶ Use a cotton cloth to rub around the damaged area with a small amount of liquid vinyl plaster (ref. no. 9103104018, available from your service partner).
- ✓ The liquid vinyl plaster dissolves the coating. The coating seals the hole when it dries.
- ▶ Wait until the area is dry before you retract the awning again.

9 Warranty

The statutory warranty period applies. If the product is defective, please contact your retailer or the manufacturer's branch in your country (see the back of the instruction manual for the addresses).

For repair and guarantee processing, please include the following documents when you send in the device:

- A copy of the receipt with purchasing date
- A reason for the claim or description of the fault

10 Disposal

- ▶ Place the packaging material in the appropriate recycling waste bins wherever possible.




If you wish to finally dispose of the product, ask your local recycling centre or specialist dealer for details about how to do this in accordance with the applicable disposal regulations.

11 Technical data

PerfectWall PW1000					
Width:	2.6 m	3 m	3.5 m	4 m	4.5 m
Extended:	2 m	2.5 m			
Weight:	18.6 kg	21 kg	24 kg	27 kg	30 kg

PerfectWall PW1500				
Width:	1.5 m	2.6 m	3 m	3.5 m
Extended:	1 m	2 m	2.5 m	2.5 m / 2.75 m
Weight:	12 kg	18 kg	21 kg	24 kg

PerfectWall PW1500				
Width:	4 m	4.5 m	5 m	5.5 m
Extended:	2.5 m / 2.75 m			
Weight:	27 kg	30 kg	33 kg	36 kg

12 V motor	
Voltage:	12 V _{DC} (11 – 15 V)
Amperage:	7 A
Output power:	84 W
Torque:	35 Nm
Inspection/certification:	



WARNUNG!

- Diese Anleitung muss vor der Benutzung, der Reinigung und Wartung gelesen und verstanden werden.
- Dieses Produkt muss von einer Fachkraft montiert werden. Eine fehlerhafte Montage kann zu schweren Verletzungen führen. Umbauten am Produkt können äußerst gefährlich werden und zu schweren Verletzungen oder zu Geräteschäden führen.
- Diese Anleitung muss beim Produkt verbleiben. Der Besitzer muss sie aufmerksam lesen.

Inhaltsverzeichnis

1	Hinweise zur Benutzung der Anleitung	21
2	Sicherheitshinweise	21
3	Lieferumfang	23
4	Zubehör	24
5	Bestimmungsgemäßer Gebrauch	24
6	Technische Beschreibung	24
7	Markise bedienen	25
8	Reinigung und Pflege	31
9	Gewährleistung	33
10	Entsorgung	33
11	Technische Daten	34

1 Hinweise zur Benutzung der Anleitung



WARNUNG!

Sicherheitshinweis: Nichtbeachtung kann zu Tod oder schwerer Verletzung führen.



ACHTUNG!

Nichtbeachtung kann zu Materialschäden führen und die Funktion des Produktes beeinträchtigen.



HINWEIS

Ergänzende Informationen zur Bedienung des Produktes.

2 Sicherheitshinweise

Beachten Sie die vom Fahrzeughersteller und vom Kfz-Handwerk vorgeschriebenen Sicherheitshinweise und Auflagen!

Der Hersteller übernimmt in folgenden Fällen keine Haftung für Schäden:

- Beschädigungen am Produkt durch mechanische Einflüsse und Überspannungen
- Veränderungen am Produkt ohne ausdrückliche Genehmigung vom Hersteller
- Verwendung für andere als die in der Anleitung beschriebenen Zwecke

Beachten Sie folgende Warnhinweise:



WARNUNG!

- Kontrollieren Sie vor Fahrtantritt, ob die Markise vollständig eingefahren ist. Bewegen Sie nie bei geöffneter Markise das Fahrzeug.
- Fahren Sie nie mit eingehängter Kurbel. Nehmen Sie die Kurbel vor Fahrtantritt ab.
- Fahren Sie das Fahrzeug nicht, wenn das Tuch beschädigt oder eingerissen ist, auch wenn die Markise ordnungsgemäß geschlossen ist! Die Markisenarme werden durch das Tuch gehalten. Wenn das Tuch beim Fahren reißt, schnellt die Markise plötzlich heraus. Das kann zu schweren Verletzungen führen. Sichern Sie die Markise so, dass sie während der Fahrt nicht plötzlich und unerwartet ausfahren kann.
- Öffnen Sie die Markise **nicht** während der Fahrt.

- Öffnen Sie die Markise **nicht** bei starken Wind oder Schneefall.
- Fahren Sie die Markise ein, wenn starker Wind, starker Regen oder Schneefall zu erwarten sind.
- Achten Sie darauf, dass sich kein Wasser oder Schnee auf dem Tuch ansammelt. Anderenfalls kann die Markise beschädigt werden oder die Markisenarme können abbrechen und so schwere Verletzungen oder Tod verursachen.
- Nähern Sie sich nicht der Markise,
 - wenn sie während heftigem Wind offengelassen wurde,
 - wenn sich Wasserlachen auf ihr gebildet haben,
 - wenn sich Schnee angehäuft hat,
 - wenn sich viel grober Schmutz auf dem Markisentuch befindet.Die Markise kann sich unerwartet bewegen, instabil werden und sich verbiegen oder abbrechen.
- Lassen Sie die ausgefahrene Markise nicht unbeaufsichtigt. Fahren Sie die Markise ein, bevor Sie Ihren Standplatz verlassen.
- Halten Sie beim Grillen mit offenem Feuer Abstand von der Markise. Das Tuch kann durch die Hitze beschädigt werden oder in Brand geraten.
- Dieses Gerät kann von Kindern ab 8 Jahren und darüber sowie von Personen mit verringerten physischen, sensorischen oder mentalen Fähigkeiten oder Mangel an Erfahrung und Wissen benutzt werden, wenn sie beaufsichtigt oder bezüglich des sicheren Gebrauchs des Gerätes unterwiesen wurden und die daraus resultierenden Gefahren verstehen.
- Kinder sollten beaufsichtigt werden, um sicherzustellen, dass sie nicht mit dem Gerät spielen.



ACHTUNG!

- Stellen Sie das Wohnmobil oder den Wohnwagen so auf, dass kein Schmutz (Zweige, Blätter oder ähnliches) auf das Tuch geraten können.
- Das Tuch der Markise darf an den Rändern nicht durchhängen, sondern muss stets straff sein. Wenn das Tuch durchhängt, kann es auf den Armen scheuern und beschädigt werden. Bei langen Markisen darf das Tuch in der Mitte durchhängen.
- Fahren Sie die Markise nur ein, wenn kein Schmutz (Zweige, Blätter oder ähnliches) auf dem Tuch liegt. Beim Einfahren kann sonst die Markise beschädigt werden.

- Halten Sie die Markise frei von Schmutz, um Abschürfungen, Flecken und Schimmel zu verhindern.
- Fahren Sie die Markise nur aus Sicherheitsgründen nass ein. Fahren Sie sie so bald wie möglich wieder aus. Anderenfalls können sich Schimmel oder Flecken bilden, oder die Farbe kann ausbleichen.
- Biegen Sie nie einen Markisenarm oder die Blende herunter, um Wasser auf der Markise ablaufen zu lassen. Die Markise kann sich dadurch verbiegen und ihre Funktion wird beeinträchtigt.
- Hängen Sie keine Gegenstände an die Markise, weder an die Frontblende, noch an die Markisenarme.
- Benutzen Sie keine Sprays (z. B. Insektenspray, Haarspray) in der Nähe der Markise. Das Tuch wird dadurch beschmutzt oder der Abperleffekt des Tuches kann dadurch verloren gehen.
- Falls nach dem Einbau der Markise kein ausreichender Freiraum über der Tür verbleibt, muss die Tür während des Ein- oder Ausfahrens geschlossen bleiben, um einen Kontakt der Tür mit den Armen oder der Frontleiste zu vermeiden.
Der benötigte Freiraum hängt von der Bauart der Tür (Türbreite, Schwenk- oder Schiebetür) sowie dem eingestellten Neigungswinkel der Markise ab.

3 Lieferumfang

Anzahl	Bezeichnung
1	Markise
1	Bedienungsanleitung
1	Montageanleitung

4 Zubehör

Als Zubehör erhältlich (nicht im Lieferumfang enthalten):

Bezeichnung	Artikelnummer
Dometic Light LK120 LED-Beleuchtung mit Fernbedienung zur Montage an die Markisenarme	9106504018
Tie Down Kit Gurte zum Abspinnen der Markise	9103104000

5 Bestimmungsgemäßer Gebrauch

Die Markisen PerfectWall PW1000 und PW1500 sind geeignet zum Anbau an Wohnmobile oder Wohnwagen.

Die Markisen dürfen nur im Stand benutzt werden.

6 Technische Beschreibung

PerfectWall PW1000 und PW1500 sind Markisen, die mit Hilfe einer Handkurbel ein- und ausgefahren werden können.

Die Markise PerfectWall PW1500 kann optional auch mit einem 12-V-Motor ein- und ausgefahren werden.

Die Markisen werden mit Stützen an der Fahrzeugwand oder auf dem Boden gesichert.

7 Markise bedienen

Beachten Sie auch die Sicherheitshinweise im Kapitel „Sicherheitshinweise“ auf Seite 21!

7.1 Hinweise zum Standort des Fahrzeugs



ACHTUNG!

- Stellen Sie das Fahrzeug so auf, dass kein Schmutz (Zweige, Blätter oder ähnliches) auf das Tuch geraten können.
- Halten Sie die Markise frei von Schmutz, um Abschürfungen, Flecken und Schimmel zu verhindern.

7.2 Markise ausfahren

Markise mit Handkurbel ausfahren



WARNUNG! Verletzungsgefahr!

Halten Sie genügend Abstand zu Gegenständen oder anderen Fahrzeugen. Nach dem Ausfahren muss ringsum ein Mindestabstand zu anderen Gegenständen oder Fahrzeugen von 40 cm sein.

- Rasten Sie die Handkurbel in die Aufnahme der Markise ein (Abb. **1**, Seite 2).
- Drehen Sie die Handkurbel, bis die Markise ungefähr 1,5 m weit ausgefahren ist (Abb. **2**, Seite 2).
- Schieben Sie die rechte Stütze in der Frontblende vollständig zusammen, sodass Sie sie frei bewegen können (Abb. **4**, Seite 3).
- Drehen Sie die rechte Stütze zur Seite (Abb. **4**, Seite 3).
- Klappen Sie die rechte Stütze nach unten weg und stellen Sie sie auf den Boden (Abb. **5**, Seite 4).
- Stellen Sie die Stütze auf die gewünschte Höhe ein (Abb. **6**, Seite 4).
- Klappen Sie den Hebel der Stütze nach oben, um die Stütze zu fixieren (Abb. **7**, Seite 4).
- Fahren Sie die andere Stütze genauso aus.
- Drehen Sie die Handkurbel, bis die Markise in die gewünschte Stellung ausgefahren ist. Stellen Sie die Stützen alle 30 cm wieder senkrecht unter die Frontblende, sodass die Markise jederzeit sicher gehalten wird.

- ▶ Drehen Sie die Handkurbel ca. eine 1/4 Umdrehung zurück, damit das Tuch gespannt wird.



ACHTUNG! Beschädigungsgefahr!

Das Tuch der Markise darf an den Rändern nicht durchhängen, sondern muss stets straff sein. Wenn das Tuch durchhängt, kann es auf den Armen scheuern und beschädigt werden.
Bei langen Markisen darf das Tuch in der Mitte durchhängen.

- ▶ Hängen Sie die Handkurbel aus der Aufnahme der Markise aus.

Markise mit 12-V-Motor ausfahren (nur PW1500)



WARNUNG! Verletzungsgefahr!

Halten Sie genügend Abstand zu Gegenständen oder anderen Fahrzeugen. Nach dem Ausfahren muss ringsum ein Mindestabstand zu anderen Gegenständen oder Fahrzeugen von 40 cm sein.

- ▶ Betätigen Sie den Schalter des 12-V-Motors, bis die Markise ungefähr 1,5 m weit ausgefahren ist (Abb. **3**, Seite 3).
- ▶ Schieben Sie die rechte Stütze in der Frontblende vollständig zusammen, sodass Sie sie frei bewegen können (Abb. **4**, Seite 3).
- ▶ Drehen Sie die rechte Stütze zur Seite (Abb. **4**, Seite 3).
- ▶ Klappen Sie die rechte Stütze nach unten weg und stellen Sie sie auf den Boden (Abb. **5**, Seite 4).
- ▶ Stellen Sie die Stütze auf die gewünschte Höhe ein (Abb. **6**, Seite 4).
- ▶ Klappen Sie den Hebel der Stütze nach oben, um die Stütze zu fixieren (Abb. **7**, Seite 4).
- ▶ Fahren Sie die andere Stütze genauso aus.
- ▶ Betätigen Sie den Schalter des 12-V-Motors, bis die Markise in die gewünschte Stellung ausgefahren ist. Stellen Sie die Stützen alle 30 cm wieder senkrecht unter die Frontblende, sodass die Markise jederzeit sicher gehalten wird.

- Betätigen Sie den Schalter des 12-V-Motors, um die Markise soweit einzufahren, bis das Tuch gespannt ist.



ACHTUNG! Beschädigungsgefahr!

Das Tuch der Markise darf an den Rändern nicht durchhängen, sondern muss stets straff sein. Wenn das Tuch durchhängt, kann es auf den Armen scheuern und beschädigt werden.

Bei langen Markisen darf das Tuch in der Mitte durchhängen.

Stütze auf dem Boden aufstellen



WARNUNG! Verletzungsgefahr

- Stellen Sie die Stütze ausschließlich auf festem Untergrund auf.
- Sichern Sie die Stütze gegen Wegrutschen.

- Stellen Sie die Stütze senkrecht unterhalb der Frontblende auf.
- Sichern Sie die Stütze mit Heringen (Abb. **8**, Seite 4).
- Stellen Sie eine Stütze etwas tiefer ein, damit die Frontblende leicht schräg hängt. So kann leichter Regen direkt ablaufen (Abb. **9**, Seite 5).

Stütze am Fahrzeug befestigen

Sie können die Markise direkt an Ihrem Fahrzeug befestigen, wenn Sie die Arretierungen für die Stützen montiert haben.

- Schieben Sie die Abdeckung der Arretierung nach oben (Abb. **10**, Seite 5).
- Hängen Sie die Stütze in die Arretierung ein (Abb. **10**, Seite 5).
- Schieben Sie die Abdeckung der Arretierung nach unten (Abb. **10**, Seite 5).
- Stellen Sie eine Stütze etwas tiefer ein, damit die Frontblende leicht schräg hängt. So kann leichter Regen direkt ablaufen (Abb. **11**, Seite 5).

Spannstange montieren

Bei Markisen mit einer Länge von 4 m oder mehr muss eine Spannstange in der Mitte der Markise befestigt werden. Dadurch wird verhindert, dass die Markise durchhängt.

- Schieben Sie die Spannstange zusammen (Abb. **12**, Seite 6).
- Rasten Sie das obere Ende der Spannstange in die Aufnahmevorrichtung am Gehäuse ein (Abb. **12**, Seite 6).
- Schieben Sie das andere Ende der Spannstange in die Aufnahmevorrichtung in der Frontblende (Abb. **12**, Seite 6).

7.3 Markise einfahren



ACHTUNG!

- Fahren Sie die Markise nur ein, wenn kein Schmutz (Zweige, Blätter oder ähnliches) auf dem Tuch liegt. Beim Einfahren kann sonst die Markise beschädigt werden
 - Halten Sie die Markise frei von Schmutz, um Abschürfungen, Flecken und Schimmel zu verhindern.
 - Achten Sie beim Einfahren der Markise darauf, dass keine Äste oder anderen Gegenstände eingeklemmt werden.
- Entfernen Sie Schmutz (Zweige, Blätter oder ähnliches), der auf dem Tuch liegt.
 - Lösen Sie die Befestigung der Stützen (Heringe oder Arretierung am Fahrzeug).

Markise mit Handkurbel einfahren

- Rasten Sie das obere Ende der Handkurbel in die Aufnahme der Markise ein.
- Drehen Sie die Handkurbel, bis die Markise nur noch ungefähr 1,5 m weit ausgefahren ist. Stellen Sie die Stützen alle 30 cm wieder senkrecht unter die Frontblende, sodass die Markise jederzeit sicher gehalten wird.
- Klappen Sie den Hebel der rechten Stütze nach unten, um die Stütze zu lösen.
- Schieben Sie die Stütze vollständig zusammen.
- Klappen Sie die rechte Stütze nach oben.
- Drehen Sie die rechte Stütze in die Frontblende.
- Schieben Sie den unteren Teil der rechten Stütze in die Arretierung der Frontblende.
- Fahren Sie die andere Stütze genauso ein.
- Drehen Sie die Handkurbel, bis die Markise vollständig eingefahren ist.
- Überzeugen Sie sich davon, dass die Markise vollständig eingefahren ist, bevor Sie losfahren. Die Frontblende muss eng am Gehäuse anliegen.
- Hängen Sie die Handkurbel aus der Aufnahme der Markise aus.

**ACHTUNG! Beschädigungsgefahr!**

Wenn die Markise in nassem Zustand eingefahren wurde, fahren Sie sie bei der nächsten Gelegenheit wieder aus und lassen Sie das Tuch trocknen. Wenn das nasse Tuch längere Zeit eingerollt bleibt, wird es stockig und die Farben können ausbleichen.

Markise mit 12-V-Motor einfahren (nur PW1500)

- Betätigen Sie den Schalter des 12-V-Motors, bis die Markise nur noch ungefähr 1,5 m weit ausgefahren ist. Stellen Sie die Stützen alle 30 cm wieder senkrecht unter die Frontblende, sodass die Markise jederzeit sicher gehalten wird.
- Klappen Sie den Hebel der rechten Stütze nach unten, um die Stütze zu lösen.
- Schieben Sie die Stütze vollständig zusammen.
- Klappen Sie die rechte Stütze nach oben.
- Drehen Sie die rechte Stütze in die Frontblende.
- Schieben Sie den unteren Teil der rechten Stütze in die Arretierung der Frontblende.
- Fahren Sie die andere Stütze genauso ein.
- Betätigen Sie den Schalter des 12-V-Motors, bis die Markise vollständig eingefahren ist.
- Überzeugen Sie sich davon, dass die Markise vollständig eingefahren ist, bevor Sie losfahren. Die Frontblende muss eng am Gehäuse anliegen.

**ACHTUNG! Beschädigungsgefahr!**

Wenn die Markise in nassem Zustand eingefahren wurde, fahren Sie sie bei der nächsten Gelegenheit wieder aus und lassen Sie das Tuch trocknen. Wenn das nasse Tuch längere Zeit eingerollt bleibt, wird es stockig und die Farben können ausbleichen.

7.4 12-V-Motor einstellen (optional)**HINWEIS**

Der 12-V-Motor ist in der Tuchwelle vormontiert.

Wenn die Markise sich nicht mehr vollständig schließt oder öffnet, dann stellen Sie den 12-V-Motor ein (Abb. **13**, Seite 6).

8 Reinigung und Pflege

8.1 Reinigen



ACHTUNG! Beschädigungsgefahr!

- Reinigen Sie die Markise **nie** mit einem Hochdruckreiniger.
- Verwenden Sie zur Reinigung keine scharfen Reinigungsmittel oder harten Gegenstände, da diese das Produkt beschädigen können.

- Entfernen Sie jeglichen Schmutz (Zweige, Blätter oder ähnliches), der auf dem Tuch liegt, um Abschürfungen, Flecken und Schimmel zu vermeiden. Außerdem kann die Markise beschädigt werden, wenn sie eingefahren wird.
- Reinigen Sie regelmäßig das Tuch der Markise, um Staub und Dreck zu entfernen:
 - Verwenden Sie dazu Wasser mit 30 g Spülmittel und 30 g Bleichmittel auf 10 l Wasser.
 - Seifen Sie das Tuch damit ein und lassen Sie die Reinigungsflüssigkeit fünf Minuten einwirken.
 - Spülen Sie gründlich mit klarem Wasser nach.
Stellen Sie sicher, dass die Reinigungsflüssigkeit mit dem Bleichmittel komplett abgewaschen ist. Anderenfalls kann das Tuch beschädigt werden.
 - Lassen Sie das Tuch trocknen.



HINWEIS

Der Hersteller empfiehlt:

- Verwenden Sie zur Reinigung des Tuchs den Clean&Care Markisen-Reiniger (Art.-Nr. 9103501116, erhältlich über Ihren Service-Partner).

8.2 Schmieren

- Schmieren Sie bei Bedarf die Gelenke der Markise mit einem Parafinwachs, Teflon- oder Silikonöl.

8.3 Kontrollieren



WARNUNG!

Benutzen Sie die Markise nicht, wenn Einstellungen oder Reparaturen notwendig sind.

Wenn Sie Beschädigungen feststellen, wenden Sie sich bitte an den Service-Partner im jeweiligen Land (Adressen siehe Rückseite der Anleitung).

- Untersuchen Sie die Markise regelmäßig auf Unwuchten und Abnutzung sowie auf Beschädigungen an kritischen Teilen.
- Kontrollieren Sie die Markise regelmäßig:
 - Ist das Tuch unbeschädigt?
 - Sind die Arme und die Frontblende unbeschädigt und ohne Verschleißspuren?
 - Schließt die Markise korrekt?

8.4 Schrauben der Schultergelenke nachziehen

Die Schrauben am Schultergelenk müssen nach ersten Belastungen nachgezogen werden:

- nach dem ersten Urlaub mit Markisennutzung
- nach 20000 km Fahrleistung oder sechs Monaten nach Einbau der Markise (je nachdem, was zuerst eintrifft)

Außerdem sollten die Schrauben am Schultergelenk bei der regelmäßigen Fahrzeuginspektion kontrolliert werden.

Wenden Sie sich zum Nachziehen der Schrauben an Ihren Service-Partner.

Anweisung für den Service (Abb. 14, Seite 6)



ACHTUNG!

Die Markisenarme müssen lastfrei sein, damit das Anzugsmoment der Schrauben nicht verfälscht wird.

- Heben Sie die Frontleiste leicht an, damit die Gelenke lastfrei sind.
- Ziehen Sie die Schrauben mit 15 – 25 Nm nach.

8.5 Kleine Löcher im Tuch flicken

Kleine Löcher im Tuch oder Stellen, an denen sich die Beschichtung löst, können Sie selber flicken:

- ▶ Verreiben Sie mit einem Baumwollappen rund um die beschädigte Stelle ein bisschen flüssiges Vinylpflaster (Art.-Nr. 9103104018, erhältlich über Ihren Service-Partner).
- ✓ Das flüssige Vinylpflaster löst die Beschichtung an. Die Beschichtung schließt das Loch beim Trocknen.
- ▶ Warten Sie, bis die Stelle getrocknet ist, bevor Sie die Markise wieder einfahren.

9 Gewährleistung

Es gilt die gesetzliche Gewährleistungsfrist. Sollte das Produkt defekt sein, wenden Sie sich bitte an Ihren Fachhändler oder an die Niederlassung des Herstellers in Ihrem Land (Adressen siehe Rückseite der Anleitung).

Zur Reparatur- bzw. Gewährleistungsbearbeitung müssen Sie folgende Unterlagen mitschicken:

- eine Kopie der Rechnung mit Kaufdatum,
- einen Reklamationsgrund oder eine Fehlerbeschreibung.

10 Entsorgung

- ▶ Geben Sie das Verpackungsmaterial möglichst in den entsprechenden Recycling-Müll.




Wenn Sie das Produkt endgültig außer Betrieb nehmen, informieren Sie sich bitte beim nächsten Recyclingcenter oder bei Ihrem Fachhändler über die zutreffenden Entsorgungsvorschriften.

11 Technische Daten

PerfectWall PW1000					
Breite:	2,6 m	3 m	3,5 m	4 m	4,5 m
Auszug:	2 m	2,5 m			
Gewicht:	18,6 kg	21 kg	24 kg	27 kg	30 kg

PerfectWall PW1500				
Breite:	1,5 m	2,6 m	3 m	3,5 m
Auszug:	1 m	2 m	2,5 m	2,5 m / 2,75 m
Gewicht:	12 kg	18 kg	21 kg	24 kg

PerfectWall PW1500				
Breite:	4 m	4,5 m	5 m	5,5 m
Auszug:	2,5 m / 2,75 m			
Gewicht:	27 kg	30 kg	33 kg	36 kg

12-V-Motor	
Anschlussspannung:	12 V $\overline{=}$ (11 – 15 V)
Stromstärke:	7 A
Ausgangsleistung:	84 W
Drehmoment:	35 Nm
Prüfung/Zertifikat:	

**AVERTISSEMENT !**

- Ce manuel doit être lu et compris avant l'utilisation, le nettoyage et la maintenance.
- Ce produit doit être monté par un technicien agréé. Un montage erroné peut entraîner de graves blessures. Des modifications du produit peuvent s'avérer extrêmement dangereuses et provoquer de graves blessures ou des dommages de l'appareil.
- Ce manuel doit rester à proximité du produit. Le propriétaire doit le lire attentivement.

Sommaire

1	Remarques concernant l'utilisation de ce manuel	36
2	Consignes de sécurité	36
3	Pièces fournies	39
4	Accessoires	39
5	Usage conforme	39
6	Description technique	39
7	Utilisation du store extérieur	40
8	Entretien et nettoyage	45
9	Garantie	47
10	Retraitement	47
11	Caractéristiques techniques	48

1 Remarques concernant l'utilisation de ce manuel



AVERTISSEMENT !

Consigne de sécurité : le non-respect de ces consignes peut entraîner la mort ou de graves blessures.



AVIS !

Le non-respect de ces consignes peut entraîner des dommages matériels et des dysfonctionnements du produit.



REMARQUE

Informations complémentaires sur l'utilisation du produit.

2 Consignes de sécurité

Respectez les consignes de sécurité et autres prescriptions imposées par le fabricant du véhicule et par les professionnels de l'automobile !

Le fabricant décline toute responsabilité pour des dommages dans les cas suivants :

- des influences mécaniques et des surtensions ayant endommagé le matériel
- des modifications apportées au produit sans autorisation explicite de la part du fabricant
- une utilisation différente de celle décrite dans la notice

Tenez compte des avertissements suivants :



AVERTISSEMENT !

- Vérifiez avant le départ que le store extérieur est complètement replié. Ne déplacez jamais le véhicule lorsque le store extérieur est ouvert.
- Ne conduisez jamais lorsque la manivelle est accrochée. Retirez la manivelle avant de partir.

- Ne conduisez pas le véhicule lorsque le tissu est endommagé ou déchiré, même si le store extérieur est correctement fermé ! Les bras du store extérieur sont maintenus par le tissu. Si le tissu se déchire pendant la conduite, le store extérieur risque de sortir d'un coup. Cela peut entraîner de graves blessures. Bloquez le store extérieur de telle sorte qu'il ne puisse se déplier soudainement et de manière inattendue pendant le trajet.
- **N'ouvrez pas** le store extérieur pendant le trajet.
- **N'ouvrez pas** le store extérieur en cas de fort vent ou de fortes chutes de neige.
- Repliez le store extérieur en cas de prévision de fort vent, de forte pluie ou de fortes chutes de neige.
- Veillez à ce que de l'eau ou de la neige ne s'accumule pas sur le tissu. Cela pourrait endommager le store extérieur ou casser les bras du store extérieur et provoquer de graves blessures ou la mort.
- Ne vous approchez pas du store extérieur,
 - s'il est resté ouvert par fort vent,
 - si des flaques d'eau se sont formées dessus,
 - si de la neige s'est accumulée,
 - s'il y a beaucoup de saletés sur la toile du store.Le store extérieur peut se déplacer de manière inattendue, devenir instable et se courber ou se casser.
- Ne laissez pas le store extérieur déplié sans surveillance. Repliez le store extérieur avant de quitter votre emplacement.
- Lorsque vous faites des grillades sur des flammes nues, restez à distance du store extérieur. Le tissu peut être endommagé par la chaleur ou même prendre feu.
- Les enfants âgés de 8 ans et plus ainsi que les personnes ayant des déficiences physiques, sensorielles ou mentales ou un manque d'expérience ou de connaissances peuvent utiliser ce produit à condition d'être sous surveillance ou d'avoir reçu des instructions concernant l'utilisation de l'appareil en toute sécurité et de comprendre les dangers qui en résultent.
- Les enfants doivent être surveillés pour s'assurer qu'ils ne jouent pas avec l'appareil.

**AVIS!**

- Installez le camping-car ou la caravane de telle sorte qu'aucune saleté (branches, feuilles, etc.) ne puisse tomber sur le tissu.
- Le tissu du store extérieur ne doit pas pendre, il doit toujours être bien tendu. Si le tissu pend, il peut frotter contre les bras et être endommagé.
Pour les longs stores, le tissu peut pendre au milieu.
- Ne repliez le store extérieur que lorsqu'il n'y a pas de saletés (branches, feuilles, etc.) sur le tissu. Le store extérieur risquerait sinon d'être endommagé.
- Maintenez le store extérieur propre afin d'éviter des accrocs, des taches et des moisissures.
- S'il est mouillé, ne repliez le store extérieur que pour des raisons de sécurité. Dépliez-le dès que possible. Dans le cas contraire, des moisissures ou des taches pourraient se former, ou la couleur pourrait pâlir.
- Ne courbez jamais un bras du store extérieur ou l'avant du store extérieur vers le bas pour que l'eau s'écoule. Le store extérieur risquerait de se tordre et son fonctionnement serait affecté.
- N'accrochez pas d'objets au store extérieur, ni à l'avant, ni aux bras du store extérieur.
- N'utilisez pas de sprays (p. ex. spray contre les insectes, sprays pour les cheveux) à proximité du store extérieur. Cela salit le tissu et l'effet hydrophobe du tissu risquerait de disparaître.
- Si après le montage du store extérieur il ne reste pas d'espace suffisant au-dessus de la porte, la porte doit rester fermée pendant que le store extérieur est déplié ou replié, afin d'éviter le contact de la porte avec les bras ou la barre frontale.
L'espace libre nécessaire dépend du type de construction de la porte (largeur de la porte, porte battante ou coulissante) ainsi que de l'angle d'inclinaison réglé pour le store extérieur.

3 Pièces fournies

Nombre	Désignation
1	Store extérieur
1	Notice d'utilisation
1	Instructions de montage

4 Accessoires

Disponibles en accessoires (non compris dans la livraison) :

Désignation	Numéro de produit
Dometic Light LK120 Éclairage DEL avec télécommande, à monter sur les bras du store extérieur	9106504018
Kit d'attaches Sangle permettant de tendre le store extérieur	9103104000

5 Usage conforme

Les stores extérieurs PerfectWall PW1000 et PW1500 sont conçus pour être montés sur des camping-cars ou des caravanes.

Les stores extérieurs doivent être utilisés à l'arrêt uniquement.

6 Description technique

PerfectWall PW1000 et PW1500 sont des stores extérieurs qui peuvent se replier et se déplier à l'aide d'une manivelle.

Le store extérieur PerfectWall PW1500 peut être replié et déplié en option avec un moteur de 12 Volts.

Les stores extérieurs sont fixés à la paroi du véhicule ou au sol par des montants.

7 Utilisation du store extérieur

Veillez respecter également les consignes de sécurité du chapitre « Consignes de sécurité », page 36 !

7.1 Remarques concernant le lieu d'arrêt du véhicule



AVIS !

- Installez le véhicule de telle sorte qu'aucune saleté (branches, feuilles, etc.) ne puisse tomber sur le tissu.
- Maintenez le store extérieur propre afin d'éviter des accrocs, des taches et des moisissures.

7.2 Déplier le store extérieur

Déplier le store extérieur avec la manivelle



AVERTISSEMENT ! Risque de blessures !

Respectez une distance suffisante par rapport aux objets ou aux autres véhicules. Une fois le store extérieur déplié, la distance minimale avec les autres objets ou véhicules, tout autour du store extérieur, doit être de 40 cm.

- Insérez la manivelle dans le logement du store extérieur (fig. **1**, page 2).
- Tournez la manivelle jusqu'à ce que le store extérieur soit déplié d'environ 1,5 m (fig. **2**, page 2).
- Insérez complètement le montant droit dans le cache avant, de sorte que vous puissiez le déplacer librement (fig. **4**, page 3).
- Tournez le montant de droite sur le côté (fig. **4**, page 3).
- Rabattez le montant droit vers le bas et posez-le sur le sol (fig. **5**, page 4).
- Réglez le montant sur la hauteur souhaitée (fig. **6**, page 4).
- Rabattez le levier du montant vers le haut pour fixer le montant (fig. **7**, page 4).
- Dépliez l'autre montant de la même manière.
- Tournez la manivelle jusqu'à ce que le store extérieur soit déplié dans la position souhaitée. Remplacez les montants tous les 30 cm à la verticale sous le cache avant, de sorte que le store extérieur soit maintenu en toute sécurité à tout moment.

- Tournez la manivelle d'environ 1/4 de tour dans le sens inverse, afin que le tissu soit tendu.



AVIS ! Risque d'endommagement !

Le tissu du store extérieur ne doit pas pendre, il doit toujours être bien tendu. Si le tissu pend, il peut frotter contre les bras et être endommagé. Pour les longs stores, le tissu peut pendre au milieu.

- Retirez la manivelle du logement du store extérieur.

Déplier le store extérieur avec le moteur 12 V (uniquement PW1500)



AVERTISSEMENT ! Risque de blessures !

Respectez une distance suffisante par rapport aux objets ou aux autres véhicules. Une fois le store extérieur déplié, la distance minimale avec les autres objets ou véhicules, tout autour du store extérieur, doit être de 40 cm.

- Actionnez le commutateur du moteur 12 V jusqu'à ce que le store extérieur soit déplié d'environ 1,5 m (fig. **3**, page 3).
- Insérez complètement le montant droit dans le cache avant, de sorte que vous puissiez le déplacer librement (fig. **4**, page 3).
- Tournez le montant de droite sur le côté (fig. **4**, page 3).
- Rabattez le montant droit vers le bas et posez-le sur le sol (fig. **5**, page 4).
- Réglez le montant sur la hauteur souhaitée (fig. **6**, page 4).
- Rabattez le levier du montant vers le haut pour fixer le montant (fig. **7**, page 4).
- Dépliez l'autre montant de la même manière.
- Actionnez le commutateur du moteur 12 V jusqu'à ce que le store extérieur soit déplié à la position souhaitée. Remplacez les montants tous les 30 cm à la verticale sous le cache avant, de sorte que le store extérieur soit maintenu en toute sécurité à tout moment.
- Actionnez le commutateur du moteur 12 V pour replier le store extérieur jusqu'à ce que le tissu soit tendu.



AVIS ! Risque d'endommagement !

Le tissu du store extérieur ne doit pas pendre, il doit toujours être bien tendu. Si le tissu pend, il peut frotter contre les bras et être endommagé. Pour les longs stores, le tissu peut pendre au milieu.

Installation des montants au sol



AVERTISSEMENT ! Risque de blessures

- Posez le montant uniquement sur une surface solide.
- Assurez-vous que le montant ne puisse pas glisser.

- Placez le montant à la verticale sous le cache avant.
- Bloquez le montant avec des sardines (fig. **8**, page 4).
- Réglez un montant un peu plus bas afin que le cache avant soit un peu de travers. La pluie, si elle est légère, peut ainsi s'écouler directement (fig. **9**, page 5).

Fixation des montants sur le véhicule

Vous pouvez fixer le store extérieur directement sur votre véhicule, si vous avez monté les blocages pour les montants.

- Faites coulisser le cache du blocage vers le haut (fig. **10**, page 5).
- Suspendez le montant dans le blocage (fig. **10**, page 5).
- Faites coulisser le cache du blocage vers le bas (fig. **10**, page 5).
- Réglez un montant un peu plus bas afin que le cache avant soit un peu de travers. La pluie, si elle est légère, peut ainsi s'écouler directement (fig. **11**, page 5).

Montage de la tige de tension

Pour les stores extérieurs d'une longueur de 4 m ou plus, il faut fixer une tige de tension au milieu du store extérieur. Cela permet d'empêcher que le store extérieur ne pende.

- Repliez la tige de tension (fig. **12**, page 6).
- Insérez l'extrémité supérieure de la tige de tension dans le logement du bâti (fig. **12**, page 6).
- Insérez l'autre extrémité de la tige de tension dans le logement du cache avant (fig. **12**, page 6).

7.3 Replier le store extérieur



AVIS !

- Ne repliez le store extérieur que lorsqu'il n'y a pas de saletés (branches, feuilles, etc.) sur le tissu. Le store extérieur risquerait sinon d'être endommagé.
- Maintenez le store extérieur propre afin d'éviter des accrocs, des taches et des moisissures.
- Lorsque vous repliez l'auvent, veillez à ce qu'aucune branche ou autre objet ne soit coincé.

- Retirez toutes les saletés (branches, feuilles, etc.) présentes sur le tissu.
- Détachez la fixation des montants (sardines ou blocage au niveau du véhicule).

Replier le store extérieur avec la manivelle

- Insérez l'extrémité supérieure de la manivelle dans le logement du store extérieur.
- Tournez la manivelle jusqu'à ce que le store extérieur ne soit plus déplié que d'environ 1,5 m. Remplacez les montants tous les 30 cm à la verticale sous le cache avant, de sorte que le store extérieur soit maintenu en toute sécurité à tout moment.
- Rabattez le levier du montant droit vers le bas pour détacher le montant.
- Repliez complètement le montant.
- Rabattez le montant droit vers le haut.
- Tournez le montant de droite dans le cache avant.
- Faites glisser la partie inférieure du montant de droite dans le blocage du cache avant.
- Repliez l'autre montant de la même manière.
- Tournez la manivelle jusqu'à ce que le store extérieur soit complètement replié.
- Vérifiez que le store extérieur est complètement replié avant de partir. L'avant doit se trouver contre le bâti.

- Retirez la manivelle du logement du store extérieur.

**AVIS ! Risque d'endommagement !**

Si le store extérieur a été replié alors qu'il était mouillé, déployez-le dès que possible et laissez le tissu sécher. Si le tissu humide reste replié trop longtemps, il risque de moisir ou ses couleurs de pâlir.

Replier le store extérieur avec le moteur 12 V (uniquement PW1500)

- Actionnez le commutateur du moteur 12 V jusqu'à ce que le store extérieur ne soit plus déplié que d'environ 1,5 m. Remplacez les montants tous les 30 cm à la verticale sous le cache avant, de sorte que le store extérieur soit maintenu en toute sécurité à tout moment.
- Rabattez le levier du montant droit vers le bas pour détacher le montant.
- Repliez complètement le montant.
- Rabattez le montant droit vers le haut.
- Tournez le montant de droite dans le cache avant.
- Faites glisser la partie inférieure du montant de droite dans le blocage du cache avant.
- Repliez l'autre montant de la même manière.
- Actionnez le commutateur du moteur 12 V jusqu'à ce que le store extérieur soit complètement replié.
- Vérifiez que le store extérieur est complètement replié avant de partir. L'avant doit se trouver contre le bâti.

**AVIS ! Risque d'endommagement !**

Si le store extérieur a été replié alors qu'il était mouillé, déployez-le dès que possible et laissez le tissu sécher. Si le tissu humide reste replié trop longtemps, il risque de moisir ou ses couleurs de pâlir.

7.4 Régler le moteur 12 V (en option)**REMARQUE**

Le moteur 12 V est prémonté dans l'arbre de la toile.

Si le store extérieur ne se ferme ou ne s'ouvre plus complètement, réglez le moteur 12 V (fig. 13, page 6).

8 Entretien et nettoyage

8.1 Nettoyage



AVIS ! Risque d'endommagement !

- Ne nettoyez **jamais** le store extérieur avec un nettoyeur haute pression.
- N'utilisez ni produits abrasifs ni objets durs pour le nettoyage, ceux-ci pouvant endommager le produit.

- Retirez toute saleté (branches, feuilles, etc.) se trouvant sur le tissu afin d'éviter des accrocs, des taches et des moisissures. En outre, le store extérieur peut être endommagé lorsqu'il sera replié.
- Nettoyez régulièrement le tissu du store extérieur pour retirer la poussière et la saleté :
 - Pour ce faire, utilisez de l'eau contenant 30 g de détergent et 30 g d'agent blanchissant pour 10 litres d'eau.
 - Savonnez le tissu avec cette solution et laissez le liquide agir pendant cinq minutes.
 - Rincez soigneusement à l'eau claire.
Assurez-vous que la solution contenant de l'agent blanchissant est complètement rincée. Le tissu pourrait sinon être endommagé.
 - Laissez sécher le tissu.



REMARQUE

Le fabricant recommande :

- pour le nettoyage du tissu, utilisez le détergent pour stores extérieurs Clean&Care (n° d'art. 9103501116, disponible auprès de votre partenaire de service après-vente).

8.2 Lubrification

- En cas de besoin, lubrifiez les articulations du store extérieur avec une cire de paraffine ou de l'huile au téflon ou au silicone.

8.3 Contrôle

**AVERTISSEMENT !**

N'utilisez pas le store extérieur si des réglages ou des réparations sont nécessaires.

Si vous constatez des dommages, veuillez vous adresser à un de nos partenaires de service présent dans votre pays (voir adresses au dos du présent manuel).

- Vérifiez régulièrement que le store extérieur n'est pas déséquilibré, usé ou endommagé à des endroits critiques.
- Contrôlez régulièrement le store extérieur :
 - Le tissu est-il intact ?
 - Les bras et l'avant sont-ils intacts et sans traces d'usure ?
 - Le store extérieur se ferme-t-il correctement ?

8.4 Resserrage des vis de l'articulation

Les vis de l'articulation doivent être resserrées après les premières sollicitations :

- Après les premières vacances au cours desquelles le store extérieur a été utilisé
- Après 20 000 km ou six mois après le montage du store extérieur (selon ce qui se produit en premier)

Les vis de l'articulation doivent par ailleurs être contrôlées lors de l'inspection du véhicule effectuée régulièrement.

Adressez-vous à votre partenaire de service pour le resserrage des vis.

Consigne pour l'entretien (fig. 14, page 6)

**AVIS !**

Les bras du store extérieur ne doivent pas subir de charges afin que le couple de serrage des vis soit correct.

- Soulevez légèrement la barre frontale pour que les articulations ne supportent pas de charge.
- Resserrez les vis à 15 – 25 Nm.

8.5 Réparer de petits trous dans le tissu

Vous pouvez réparer vous-même de petits trous dans le tissu ou les endroits où le revêtement se défait :

- ▶ Avec un chiffon en coton, étalez un peu de liquide de réparation au vinyle (n° d'art. 9103104018, disponible auprès de votre partenaire de service) autour de l'endroit endommagé.
- ✓ Le liquide de réparation au vinyle corrode le revêtement. En séchant, le revêtement referme le trou.
- ▶ Attendez que l'endroit soit sec avant de replier le store extérieur.

9 Garantie

Le délai légal de garantie s'applique. Si le produit s'avérait défectueux, veuillez vous adresser à la filiale du fabricant située dans votre pays (voir adresses au verso du présent manuel) ou à votre revendeur spécialisé.

Veuillez y joindre les documents suivants pour la gestion des réparations et de la garantie :

- une copie de la facture avec la date d'achat,
- le motif de la réclamation ou une description du dysfonctionnement.

10 Retraitement

- ▶ Jetez les emballages dans les conteneurs de déchets recyclables prévus à cet effet.




Lorsque vous mettez votre produit définitivement hors service, informez-vous auprès du centre de recyclage le plus proche ou auprès de votre revendeur spécialisé sur les prescriptions relatives au retraitement des déchets.

11 Caractéristiques techniques

PerfectWall PW1000					
Largeur :	2,6 m	3 m	3,5 m	4 m	4,5 m
Avancée :	2 m	2,5 m			
Poids :	18,6 kg	21 kg	24 kg	27 kg	30 kg

PerfectWall PW1500				
Largeur :	1,5 m	2,6 m	3 m	3,5 m
Avancée :	1 m	2 m	2,5 m	2,5 m / 2,75 m
Poids :	12 kg	18 kg	21 kg	24 kg

PerfectWall PW1500				
Largeur :	4 m	4,5 m	5 m	5,5 m
Avancée :	2,5 m / 2,75 m			
Poids :	27 kg	30 kg	33 kg	36 kg

Moteur 12 V	
Tension de raccordement :	12 V $\overline{\text{---}}$ (11 – 15 V)
Intensité du courant :	7 A
Puissance de sortie :	84 W
Couple de serrage :	35 Nm
Contrôle/Certificat :	



¡ADVERTENCIA!

- Estas instrucciones deben haberse leído y comprendido antes del uso, limpieza y mantenimiento.
- Este producto debe montarlo un técnico cualificado. Un montaje incorrecto puede causar graves lesiones. Las modificaciones en el producto pueden ser muy peligrosas y causar lesiones graves o daños en el aparato.
- Esas instrucciones deben permanecer con el producto. El propietario debe leerlas con atención.

Índice

1	Notas sobre el empleo de las instrucciones	50
2	Indicaciones de seguridad	50
3	Volumen de entrega	52
4	Accesorios.	53
5	Uso adecuado	53
6	Descripción técnica	53
7	Manejo del toldo.	54
8	Limpieza y cuidado	59
9	Garantía legal	61
10	Gestión de residuos	61
11	Datos técnicos.	62

1 Notas sobre el empleo de las instrucciones



¡ADVERTENCIA!

Indicación de seguridad: su incumplimiento puede acarrear la muerte o graves lesiones.



¡AVISO!

Su incumplimiento puede acarrear daños materiales y perjudicar el correcto funcionamiento del producto.



NOTA

Información adicional para el manejo del producto.

2 Indicaciones de seguridad

Tenga en cuenta las indicaciones de seguridad y la documentación suministrada por el fabricante y el taller del vehículo.

El fabricante declina toda responsabilidad ante daños ocurridos en los siguientes casos:

- daños en el producto debido a influencias mecánicas y sobretensiones
- modificaciones realizadas en el producto sin el expreso consentimiento del fabricante
- utilización del aparato para fines distintos a los descritos en las instrucciones

Tenga en cuenta las siguientes advertencias:



¡ADVERTENCIA!

- Antes de empezar a conducir, compruebe que el toldo esté totalmente cerrado. Nunca mueva el vehículo con el toldo abierto.
- Nunca conduzca con la manivela colgada. Quite la manivela antes de empezar a conducir.

- No conduzca el vehículo si la lona está dañada o rasgada, incluso cuando el toldo se haya cerrado adecuadamente. La lona retiene los brazos del toldo. Si la lona se rasga durante la conducción, el toldo se abrirá de repente. Podrían producirse graves lesiones. Asegure el toldo de forma que no se abra de forma repentina e inesperada durante la conducción.
- **No** abra el toldo durante la conducción.
- **No** abra el toldo cuando sople un viento fuerte o nieve.
- Cierre el toldo cuando se espere un viento fuerte, lluvia o nieve abundante.
- Evite que se acumule agua o nieve sobre la lona. De lo contrario, el toldo podría dañarse o los brazos del toldo podrían partirse y ocasionar lesiones graves o la muerte.
- No se acerque al toldo
 - cuando se ha dejado abierto con viento fuerte,
 - cuando se han formado bolsas de agua sobre él,
 - cuando se ha acumulado la nieve sobre él,
 - cuando haya sedimentos grandes sobre la lona del toldo.El toldo podría moverse de forma inesperada, perder la estabilidad necesaria y curvarse o romperse.
- No deje sin vigilancia el toldo abierto. Cierre el toldo antes de irse del lugar donde se encuentra.
- Manténgase alejado del toldo cuando haga una barbacoa. La lona podría dañarse por el calor o incendiarse.
- Los niños mayores de 8 años y las personas de capacidad física, sensorial o mental disminuida, así como aquellas personas con falta de experiencia y conocimientos suficientes solo podrán utilizar este aparato bajo vigilancia o si han sido instruidos respecto al uso seguro del aparato y a los posibles peligros que pueden emanar de él.
- Controle a los niños para asegurarse de que no jueguen con el aparato.



¡AVISO!

- Aparque la caravana o autocaravana de modo que no puedan caer ramas, hojas o semejantes sobre la lona.
- La lona del toldo no debe combarse por los bordes, sino que siempre debe estar tensa. Si la lona se comba, podría rozar contra los brazos y dañarse.
En caso de toldos largos, está permitido que la lona se combe por el centro.

- Antes de cerrar el toldo, limpie la lona de ramas, hojas, etc. que haya sobre la lona, de otro modo el toldo podría dañarse.
- Mantenga el toldo libre de suciedad, excoiraciones, manchas y moho.
- Recoja el toldo estando húmedo solo por razones de seguridad. En cuanto sea posible, vuelva a abrirlo. De lo contrario, se pueden formar moho y manchas o se puede perder el color.
- No doble nunca los brazos del toldo ni el protector para dejar escurrir agua del toldo. El toldo podría torcerse y su funcionamiento se vería afectado.
- No cuelgue objetos del toldo, ni de la protección delantera ni de los brazos del toldo.
- No utilice aerosoles (insecticidas, lacas para el pelo) cerca del toldo. Ensuciarán la lona o harán que ésta pierda su efecto hidrófobo.
- Si después de haber montado el toldo no queda suficiente espacio libre por encima de la puerta, ésta deberá permanecer cerrada mientras se despliega o recoge el toldo para evitar que los brazos o el listón delantero rocen con la puerta.
El espacio libre necesario depende del tipo de puerta (ancho, puerta de bisagras, puerta corredera) y del ángulo de inclinación ajustado.

3 Volumen de entrega

Total	Denominación
1	Toldo
1	Instrucciones de uso
1	Instrucciones de montaje

4 Accesorios

Disponibles como accesorios (no incluidos en el volumen de entrega):

Denominación	Número de artículo
Dometic Light LK120 Iluminación LED con control remoto para montaje en los brazos del toldo	9106504018
Kit Tie Down Correas para amarrar el toldo	9103104000

5 Uso adecuado

Los toldos PerfectWall PW1000 y PW1500 son adecuados para su montaje en caravanas o autocaravanas.

Solo está permitido utilizar los toldos con el vehículo está detenido.

6 Descripción técnica

PerfectWall PW1000 y PW1500 son toldos que se abren y recogen con una manivela.

El toldo PerfectWall PW1500 se puede extender y recoger adicionalmente con un motor de 12 V.

Los toldos se aseguran a la pared del vehículo o al suelo con soportes.

7 Manejo del toldo

Tenga en cuenta las indicaciones de seguridad mencionadas en capítulo "Indicaciones de seguridad" en la página 50.

7.1 Indicaciones para el lugar del vehículo



¡AVISO!

- Aparque el vehículo de modo que no puedan caer ramas, hojas u objetos semejantes sobre la lona.
- Mantenga el toldo libre de suciedad, excoiraciones, manchas y moho.

7.2 Apertura del toldo

Extraer el toldo con la manivela



¡ADVERTENCIA! ¡Peligro de sufrir lesiones!

Mantenga espacio suficiente con respecto a otros objetos o vehículos. Con el toldo extraído, debe haber un espacio mínimo de 40 cm con respecto a otros objetos o vehículos.

- Encastre la manivela en el alojamiento del toldo (fig. **1**, página 2).
- Gire la manivela hasta que el toldo se abra unos 1,5 m (fig. **2**, página 2).
- Introduzca completamente el apoyo derecho en la protección delantera, de forma que lo pueda mover libremente (fig. **4**, página 3).
- Gire el apoyo derecho para que quede a un lado (fig. **4**, página 3).
- Abata el apoyo derecho hacia abajo y colóquelo sobre el suelo (fig. **5**, página 4).
- Ajuste el apoyo a la altura deseada (fig. **6**, página 4).
- Abata la palanca del apoyo hacia arriba para sujetarlo (fig. **7**, página 4).
- Extraiga el otro apoyo procediendo de la misma manera.
- Gire la manivela hasta que el toldo se abra hasta la posición deseada. Vuelva a colocar los soportes verticalmente cada 30 cm debajo de la protección delantera, de forma que el toldo se sostenga con seguridad.

- Gire la manivela un cuarto de vuelta en dirección contraria para tensar la lona.



¡AVISO! Peligro de ocasionar daños materiales

La lona del toldo no debe combarse por los bordes, sino que siempre debe estar tensa. Si la lona se comba, podría rozar contra los brazos y dañarse.

En caso de toldos largos, está permitido que la lona se combe por el centro.

- Descuelgue la manivela del alojamiento del toldo.

Extraer el toldo con el motor de 12 V (solo PW1500)



¡ADVERTENCIA! ¡Peligro de sufrir lesiones!

Mantenga espacio suficiente con respecto a otros objetos o vehículos. Con el toldo extraído, debe haber un espacio mínimo de 40 cm con respecto a otros objetos o vehículos.

- Accione el interruptor del motor de 12 V hasta que el toldo se extraiga unos 1,5 m (fig. **3**, página 3).
- Introduzca completamente el apoyo derecho en la protección delantera, de forma que lo pueda mover libremente (fig. **4**, página 3).
- Gire el apoyo derecho para que quede a un lado (fig. **4**, página 3).
- Abata el apoyo derecho hacia abajo y colóquelo sobre el suelo (fig. **5**, página 4).
- Ajuste el apoyo a la altura deseada (fig. **6**, página 4).
- Abata la palanca del apoyo hacia arriba para sujetarlo (fig. **7**, página 4).
- Extraiga el otro apoyo procediendo de la misma manera.
- Accione el interruptor del motor de 12 V hasta que el toldo esté en la posición deseada. Vuelva a colocar los soportes verticalmente cada 30 cm debajo de la protección delantera, de forma que el toldo se sostenga con seguridad.

- Accione el interruptor del motor de 12 V para recoger el toldo hasta que la lona esté tensa.

**¡AVISO! Peligro de ocasionar daños materiales**

La lona del toldo no debe combarse por los bordes, sino que siempre debe estar tensa. Si la lona se comba, podría rozar contra los brazos y dañarse.

En caso de toldos largos, está permitido que la lona se combe por el centro.

Colocar el apoyo en el suelo**¡ADVERTENCIA! Peligro de sufrir lesiones**

- Coloque el apoyo exclusivamente sobre una base firme.
- Asegure el apoyo para que no resbale.

- Coloque el apoyo de forma vertical debajo de la protección delantera.
- Asegure el apoyo con piquetas (fig. **8**, página 4).
- Coloque un soporte algo más abajo para que la protección delantera esté algo inclinada. De esta forma, se descarga directamente el agua de lluvia (fig. **9**, página 5).

Sujetar los soportes en el vehículo

Puede sujetar el toldo directamente en el vehículo si ha montado los bloqueos para los apoyos.

- Desplace hacia arriba la cubierta del bloqueo (fig. **10**, página 5).
- Enganche el apoyo en el bloqueo (fig. **10**, página 5).
- Desplace hacia abajo la cubierta del bloqueo (fig. **10**, página 5).
- Coloque un soporte algo más abajo para que la protección delantera esté algo inclinada. De esta forma, se descarga directamente el agua de lluvia (fig. **11**, página 5).

Montar la barra tensora

En toldos con una longitud de 4 m o más, debe montarse una barra tensora en el centro. De este modo, se evita que el toldo se combe.

- Retraiga la barra tensora (fig. **12**, página 6).
- Encastre el extremo superior de la barra tensora en el alojamiento del bastidor (fig. **12**, página 6).
- Introduzca el otro extremo de la barra tensora en el alojamiento de la protección delantera (fig. **12**, página 6).

7.3 Cierre del toldo



¡AVISO!

- Antes de cerrar el toldo, limpie la lona de ramas, hojas, etc. que haya sobre la lona, pues de otro modo podría resultar dañado.
- Mantenga el toldo libre de suciedad, excoriaciones, manchas y moho.
- Cuando cierre el toldo, preste atención a que no se quede enganchada ninguna rama u otros objetos.

- Limpie las ramas, hojas o similares que haya en la lona.
- Suelte la sujeción de los apoyos (piquetas o bloqueo en el vehículo).

Recoger el toldo con la manivela

- Encastre el extremo superior de la manivela en el alojamiento del toldo.
- Gire la manivela hasta que el toldo se abra unos 1,5 m. Vuelva a colocar los soportes verticalmente cada 30 cm debajo de la protección delantera, de forma que el toldo se sostenga con seguridad.
- Abata la palanca del apoyo derecho hacia arriba para soltarlo.
- Retraiga completamente el apoyo.
- Abata el apoyo derecho hacia arriba.
- Gire el apoyo derecho dentro de la protección delantera.
- Desplace la parte inferior del apoyo derecho en el bloqueo de la protección delantera.
- Recoja el otro apoyo procediendo de la misma manera.
- Gire la manivela hasta que el toldo esté completamente cerrado.

- Asegúrese de que el toldo esté completamente cerrado antes de comenzar a conducir. La protección delantera debe estar muy cerca del bastidor.
- Descuelgue la manivela del alojamiento del toldo.

**¡AVISO! Peligro de ocasionar daños materiales**

Si el toldo se ha cerrado mientras estaba mojado, ábralo nuevamente en cuanto sea posible y deje que se seque. Si la lona húmeda permanece enrollada durante un período prolongado se enmohecerá y podría desteñirse.

Recoger el toldo con el motor de 12 V (solo PW1500)

- Accione el interruptor del motor de 12 V hasta que el toldo solo esté extraído aproximadamente 1,5 m. Vuelva a colocar los soportes verticalmente cada 30 cm debajo de la protección delantera, de forma que el toldo se sostenga con seguridad.
- Abata la palanca del apoyo derecho hacia arriba para soltarlo.
- Retraiga completamente el apoyo.
- Abata el apoyo derecho hacia arriba.
- Gire el apoyo derecho dentro de la protección delantera.
- Desplace la parte inferior del apoyo derecho en el bloqueo de la protección delantera.
- Recoja el otro apoyo procediendo de la misma manera.
- Accione el interruptor del motor de 12 V hasta que el toldo esté completamente recogido.
- Asegúrese de que el toldo esté completamente cerrado antes de comenzar a conducir. La protección delantera debe estar muy cerca del bastidor.

**¡AVISO! Peligro de ocasionar daños materiales**

Si el toldo se ha cerrado mientras estaba mojado, ábralo nuevamente en cuanto sea posible y deje que se seque. Si la lona húmeda permanece enrollada durante un período prolongado se enmohecerá y podría desteñirse.

7.4 Ajustar el motor de 12 V (opcional)



NOTA

El motor de 12 V está premontado en el eje de la lona.

Si el toldo no se cierra o se abre del todo, ajuste el motor de 12 V (fig. **13**, página 6).

8 Limpieza y cuidado

8.1 Limpieza



¡AVISO! Peligro de ocasionar daños materiales

- No limpie **nunca** el toldo con un limpiador de alta presión.
- No emplee productos de limpieza corrosivos ni objetos duros, ya que pueden deteriorar el producto.

- Retire toda la suciedad (ramas, hojas o similares) que haya sobre la lona para evitar excoriaciones, manchas y moho. El toldo también puede resultar dañado al cerrarlo.
- Limpie periódicamente la lona del toldo para eliminar el polvo y la suciedad:
 - Para este fin, utilice 30 g de detergente y 30 g de lejía disueltos en 10 litros de agua.
 - Enjabone la lona con esta solución de limpieza y déjela actuar durante cinco minutos.
 - Enjuague minuciosamente con agua limpia. Asegúrese de haber eliminado por completo la solución de limpieza con la lejía. De otro modo, la lona podría dañarse.
 - Deje que la lona se seque.



NOTA

El fabricante recomienda:

- Para la limpieza de la lona, utilice el limpiador de toldos Clean&Care (n.º de art. 9103501116, adquirible a través de su socio de servicio).

8.2 Lubricación

- Si es necesario, lubrique las juntas del toldo con cera de parafina, aceite de teflón o aceite de silicona.

8.3 Controles



¡ADVERTENCIA!

No use el toldo cuando sean necesarios ajustes y reparaciones. Si descubre daños, póngase en contacto con el socio de servicio del país correspondiente (las direcciones aparecen en el dorso de las instrucciones).

- Inspeccione con regularidad el toldo en busca de desequilibrios y desgaste, así como daños en piezas críticas.
- Controle el toldo a intervalos regulares:
 - ¿Está intacta la lona?
 - ¿Están intactos los brazos y la protección delantera y no presentan señales de desgaste?
 - ¿El toldo se cierra correctamente?

8.4 Apretar los tornillos de las articulaciones de hombro

Los tornillos de las articulaciones se deben volver a apretar después de haber sido sometidas a las primeras solicitaciones:

- después de las primeras vacaciones en que se utilice el toldo
- después de recorrer 20.000 km o pasados seis meses del montaje del toldo (dependiendo del caso que se dé primero)

Además, deben controlarse los tornillos de la articulación en las inspecciones regulares del vehículo.

Diríjase a su socio de servicio para las tareas de apriete de tornillos.

Indicación para el servicio (fig. 14, página 6)



¡AVISO!

Los brazos del toldo no deben estar sometidos a solicitaciones para no falsear el par de apriete de los tornillos.

- Alce ligeramente el listón delantero para que las articulaciones no soporten carga.
- Apriete los dos tornillos a 15 – 25 Nm.

8.5 Remiendo de pequeños agujeros en la lona

Usted puede remendar por sí mismo pequeños agujeros en la lona o puntos en los que se desprenda el recubrimiento:

- ▶ Utilice un trapo de algodón para frotar alrededor del punto dañado un poco de remiendo de vinilo líquido (art. n° 9103104018, disponible a través de su socio de servicio).
- ✓ El remiendo de vinilo líquido disuelve el recubrimiento. Al secarse, el recubrimiento cierra el agujero.
- ▶ Antes de volver a cerrar el toldo, espere a que el punto esté seco.

9 Garantía legal

Rige el plazo de garantía legal. Si el producto presenta algún defecto, diríjase a su establecimiento especializado o a la sucursal del fabricante de su país (ver direcciones en el dorso de estas instrucciones).

Para la tramitación de la reparación y de la garantía debe enviar también los siguientes documentos:

- una copia de la factura con fecha de compra,
- el motivo de la reclamación o una descripción de la avería.

10 Gestión de residuos

- ▶ Deseche el material de embalaje en el contenedor de reciclaje correspondiente.




Cuando vaya a desechar definitivamente el producto, infórmese en el centro de reciclaje más cercano o en un comercio especializado sobre las normas pertinentes de eliminación de materiales.

11 Datos técnicos

PerfectWall PW1000					
Anchura:	2,6 m	3 m	3,5 m	4 m	4,5 m
Extraído:	2 m	2,5 m			
Peso:	18,6 kg	21 kg	24 kg	27 kg	30 kg

PerfectWall PW1500				
Anchura:	1,5 m	2,6 m	3 m	3,5 m
Extraído:	1 m	2 m	2,5 m	2,5 m / 2,75 m
Peso:	12 kg	18 kg	21 kg	24 kg

PerfectWall PW1500				
Anchura:	4 m	4,5 m	5 m	5,5 m
Extraído:	2,5 m / 2,75 m			
Peso:	27 kg	30 kg	33 kg	36 kg

Motor de 12 V	
Tensión de conexión:	12 V $\overline{=}$ (11 – 15 V)
Intensidad de corriente:	7 A
Potencia de salida:	84 W
Par:	35 Nm
Homologación/certificados:	

**AVISO!**

- Antes de utilizar, limpar ou realizar a manutenção, deve ler o manual e compreender o seu conteúdo.
- Este produto tem de ser montado por um técnico qualificado. Uma montagem incorreta pode provocar ferimentos graves. As modificações no produto podem ser extremamente perigosas e provocar ferimentos graves ou danos no produto.
- Este manual tem de ser guardado próximo do produto. O utilizador deve lê-lo atentamente.

Índice

1	Indicações sobre a utilização do manual	64
2	Indicações de segurança	64
3	Material fornecido	66
4	Acessórios	67
5	Utilização adequada	67
6	Descrição técnica	67
7	Acionar o toldo	68
8	Limpeza e manutenção	73
9	Garantia	75
10	Eliminação	75
11	Dados técnicos	76

1 Indicações sobre a utilização do manual

**AVISO!**

Indicação de segurança: o incumprimento pode provocar a morte ou ferimentos graves.

**NOTA!**

O incumprimento pode causar danos materiais e pode prejudicar o funcionamento do produto.

**OBSERVAÇÃO**

Informações suplementares sobre a operação do produto.

2 Indicações de segurança

Cumpra as indicações de segurança e o especificado na literatura do fabricante automóvel e das associações profissionais do setor!

O fabricante não se responsabiliza por danos nos seguintes casos:

- Danos no produto resultantes de influências mecânicas e sobretensões
- Alterações ao produto sem autorização expressa do fabricante
- Utilização para outras finalidades que não as descritas no manual de instruções

Preste atenção às seguintes advertências:

**AVISO!**

- Antes de iniciar a marcha, verifique se o toldo está totalmente recolhido. Nunca desloque o veículo com o toldo aberto.
- Nunca conduza o veículo com a manivela suspensa. Antes de iniciar a marcha, retire a manivela.
- Não conduza o veículo com a lona danificada ou rasgada, nem mesmo com o toldo devidamente fechado! Os braços do toldo são suportados pela lona. Se a lona rasgar durante a viagem, o toldo solta-se repentinamente. Isto pode provocar ferimentos graves. Fixe o toldo de modo a impedir que o mesmo se abra repentina e inesperadamente durante a marcha.
- **Não** abra o toldo durante a marcha.
- **Não** abra o toldo na presença de ventos fortes ou de queda de neve.

- Recolha o toldo na presença de ventos fortes, chuva forte ou queda de neve.
- Tenha atenção para que não haja acumulação de água ou de neve na lona. Caso contrário, o toldo pode ser danificado ou os braços podem partir, provocando assim ferimentos graves ou a morte.
- Não se aproxime do toldo
 - se o mesmo tiver ficado exposto, aberto, a ventos fortes,
 - se tiverem formado poças de água sobre o mesmo,
 - se existir acumulação de neve sobre o mesmo,
 - se existir muita sujidade sobre o a lona do toldo.O toldo pode mover-se inesperadamente, tornar-se instável e dobrar ou partir-se.
- Nunca deixe o toldo aberto sem supervisão. Recolha o toldo antes de prosseguir viagem.
- Enquanto estiver a preparar grelhados com chamas vivas, mantenha-se afastado do toldo. A lona pode ser danificada devido ao calor e até mesmo incendiar.
- Este produto pode ser utilizado por crianças a partir dos 8 anos, assim como por pessoas com capacidades físicas, sensoriais ou mentais reduzidas ou com insuficiente experiência e conhecimento, quando supervisionadas ou quando tenham recebido informação acerca da utilização segura do mesmo e compreendam os perigos dele resultantes.
- As crianças devem ser supervisionadas para assegurar que não brincam com o produto.

**NOTA!**

- Estacione a caravana ou a autocaravana de modo a evitar a acumulação de sujidade (ramos, folhas ou afins) sobre a lona.
- A lona do toldo deve estar sempre bem esticada, sobretudo nas extremidades. Se a lona não estiver bem esticada, pode roçar nos braços do toldo e ficar danificada.
Nos toldos compridos, a lona não deve ceder ao centro.
- Recolha o toldo apenas quando este não apresenta sujidade (ramos, folhas ou afins) sobre a lona. Caso contrário, o toldo poderá ficar danificado durante a recolha.
- Mantenha o toldo livre de sujidade para evitar riscos, manchas e bolor.

- Recolha o toldo molhado apenas se justificado por motivos de segurança. Volte a abri-lo o mais rapidamente possível. Caso contrário, poderá haver formação de bolor ou manchas ou a cor poderá desbotar.
- Nunca dobre o braço do toldo ou o friso para baixo para escoar a água do toldo. Isto pode fazer com que o toldo fique dobrado, afetando o seu funcionamento.
- Não pendure objetos no toldo, no friso frontal nem nos braços do toldo.
- Não utilize spray (por ex., spray repelente de insetos, laca para o cabelo) na proximidade do toldo. A lona fica suja ou pode perder a sua impermeabilidade.
- Se, após a montagem do toldo, não houver espaço livre suficiente por cima da porta, esta tem de ficar fechada durante o avanço ou o recuo do toldo, para evitar um contacto da porta com os braços ou o friso frontal.
O espaço livre necessário depende do tipo de construção da porta (largura da porta, porta basculante ou deslizante) assim como do ângulo de inclinação definido para o toldo.

3 Material fornecido

Quantidade	Designação
1	Toldo
1	Manual de instruções
1	Instruções de montagem

4 Acessórios

Disponível como acessório (não consta do material fornecido):

Designação	Número de artigo
Dometic Light LK120 Iluminação LED com controlo remoto para a montagem nos braços do toldo	9106504018
Tie Down Kit Cintas para esticar o toldo	9103104000

5 Utilização adequada

Os toldos PerfectWall PW1000 e PW1500 são adequados para a montagem em caravanas ou autocaravanas.

Os toldos apenas podem ser utilizados com o veículo imobilizado.

6 Descrição técnica

Os toldos PerfectWall PW1000 e PW1500 são toldos que podem ser abertos e fechados com uma manivela.

O toldo PerfectWall PW1500 também pode ser opcionalmente aberto e fechado com um motor de 12 V.

Os toldos são fixados na parede do veículo ou no solo, mediante utilização de apoios.

7 Acionar o toldo

Respeite também as indicações de segurança que constam do capítulo “Indicações de segurança” na página 64!

7.1 Indicações sobre a localização do veículo



NOTA!

- Estacione o veículo de modo a evitar a acumulação de sujidade (ramos, folhas ou afins) sobre a lona.
- Mantenha o toldo livre de sujidade para evitar riscos, manchas e bolor.

7.2 Abrir o toldo

Abrir o toldo com a manivela



AVISO! Perigo de ferimentos!

Mantenha uma distância suficiente em relação a objetos ou a outros veículos. Depois de aberto, é preciso manter uma distância mínima de 40 cm em relação a outros objetos ou veículos.

- Encaixe a manivela no orifício do toldo (fig. **1**, página 2).
- Rode a manivela e estenda o toldo cerca de 1,5 m (fig. **2**, página 2).
- Una totalmente e com cuidado o apoio direito no friso frontal, de modo a poder movê-lo livremente (fig. **4**, página 3).
- Rode o apoio direito para o lado (fig. **4**, página 3).
- Dobre o apoio direito pra baixo e apoie-o no solo (fig. **5**, página 4).
- Regule o apoio à altura pretendida (fig. **6**, página 4).
- Dobre a alavanca do apoio para cima para fixar o apoio (fig. **7**, página 4).
- Faça o mesmo com o outro apoio.
- Rode a manivela até o toldo ficar colocado na posição pretendida. Coloque os apoios, a todos os 30 cm, sempre numa posição vertical debaixo do friso frontal de modo a que o toldo esteja sempre seguro.

- Rode a manivela aprox. 1/4 de volta para trás para esticar a lona.

**NOTA! Perigo de danos!**

A lona do toldo deve estar sempre bem esticada, sobretudo nas extremidades. Se a lona não estiver bem esticada, pode roçar nos braços do toldo e ficar danificada.

Nos toldos compridos, a lona não deve ceder ao centro.

- Retire a manivela do orifício do toldo.

Abrir o toldo com o motor de 12 V (apenas PW1500)**AVISO! Perigo de ferimentos!**

Mantenha uma distância suficiente em relação a objetos ou a outros veículos. Depois de aberto, é preciso manter uma distância mínima de 40 cm em relação a outros objetos ou veículos.

- Acione o interruptor do motor de 12 V até que o toldo esteja aprox. 1,5 m aberto (fig. **3**, página 3).
- Una totalmente e com cuidado o apoio direito no friso frontal, de modo a poder movê-lo livremente (fig. **4**, página 3).
- Rode o apoio direito para o lado (fig. **4**, página 3).
- Dobre o apoio direito pra baixo e apoie-o no solo (fig. **5**, página 4).
- Regule o apoio à altura pretendida (fig. **6**, página 4).
- Dobre a alavanca do apoio para cima para fixar o apoio (fig. **7**, página 4).
- Faça o mesmo com o outro apoio.
- Acione o interruptor do motor de 12 V até que o toldo esteja aberto na posição desejada. Coloque os apoios, a todos os 30 cm, sempre numa posição vertical debaixo do friso frontal de modo a que o toldo esteja sempre seguro.
- Acione o interruptor do motor de 12 V para fechar o toldo até que a lona esteja esticada.

**NOTA! Perigo de danos!**

A lona do toldo deve estar sempre bem esticada, sobretudo nas extremidades. Se a lona não estiver bem esticada, pode roçar nos braços do toldo e ficar danificada.

Nos toldos compridos, a lona não deve ceder ao centro.

Colocar os apoios no solo



AVISO! Perigo de ferimentos

- Coloque os apoios exclusivamente sobre uma superfície sólida.
- Fixe a posição dos apoios.

- Coloque os apoios na vertical sob o friso frontal.
- Fixe os apoios com estacas (fig. **8**, página 4).
- Regule um dos apoios para uma posição ligeiramente mais baixa para que o friso frontal fique ligeiramente inclinado. A chuva ligeira pode ser escoada diretamente (fig. **9**, página 5).

Fixar os apoios no veículo

Poderá fixar o toldo diretamente no seu veículo se tiver montadas os sistemas de bloqueio dos apoios.

- Empurre para cima a cobertura do sistema de bloqueio (fig. **10**, página 5).
- Prenda os apoios no sistema de bloqueio (fig. **10**, página 5).
- Empurre para baixo a cobertura do sistema de fixação (fig. **10**, página 5).
- Regule um dos apoios para uma posição ligeiramente mais baixa para que o friso frontal fique ligeiramente inclinado. A chuva ligeira pode ser escoada diretamente (fig. **11**, página 5).

Montar a barra de fixação

Nos toldos com um comprimento de 4 m ou superior é necessário fixar a barra de fixação ao centro do toldo. Deste modo evita-se que o toldo ceda.

- Comprima a barra de fixação (fig. **12**, página 6).
- Encaixe a extremidade superior da barra de fixação no dispositivo de retenção na caixa (fig. **12**, página 6).
- Insira a outra extremidade da barra de fixação no dispositivo de retenção no friso frontal (fig. **12**, página 6).

7.3 Recolher o toldo



NOTA!

- Recolha o toldo apenas quando este não apresenta sujidade (ramos, folhas ou afins) sobre a lona. Caso contrário, o toldo poderá ficar danificado durante a recolha
- Mantenha o toldo livre de sujidade para evitar riscos, manchas e bolor.
- Preste atenção para que durante a recolha do toldo não fiquem presos ramos ou outros objetos.

- Remova a sujidade (ramos, folhas ou afins) que se encontra sobre a lona.
- Solte a fixação dos apoios (estacas ou sistema de fixação no veículo).

Fechar o toldo com a manivela

- Encaixe a extremidade superior da manivela no orifício do toldo.
- Rode a manivela e abra o toldo apenas cerca de 1,5 m. Coloque os apoios, a todos os 30 cm, sempre numa posição vertical debaixo do friso frontal de modo a que o toldo esteja sempre seguro.
- Dobre a alavanca do apoio direito para baixo para soltar o apoio.
- Una totalmente o apoio.
- Dobre o apoio direito para cima.
- Rode o apoio direito para dentro do friso frontal.
- Empurre a parte inferior do apoio direito para dentro do sistema de bloqueio do friso frontal.
- Recolha o outro apoio da mesma forma.
- Rode a manivela até o toldo estar totalmente recolhido.
- Certifique-se de que o toldo está totalmente recolhido antes de iniciar a viagem. O friso frontal tem de estar bem encostado à caixa.
- Retire a manivela do orifício do toldo.



NOTA! Perigo de danos!

Se o toldo tiver sido recolhido molhado, volte a abri-lo assim que possível e deixe secar a lona. Se a lona molhada permanecer enrolada durante um período de tempo mais prolongado, pode ficar com bolor e as cores podem desbotar.

Fechar o toldo com o motor de 12 V (apenas PW1500)

- Acione o interruptor do motor de 12 V até que o toldo ainda esteja apenas 1,5 m aberto. Coloque os apoios, a todos os 30 cm, sempre numa posição vertical debaixo do friso frontal de modo a que o toldo esteja sempre seguro.
- Dobre a alavanca do apoio direito para baixo para soltar o apoio.
- Una totalmente o apoio.
- Dobre o apoio direito para cima.
- Rode o apoio direito para dentro do friso frontal.
- Empurre a parte inferior do apoio direito para dentro do sistema de bloqueio do friso frontal.
- Recolha o outro apoio da mesma forma.
- Acione o interruptor do motor de 12 V até que o toldo esteja completamente fechado.
- Certifique-se de que o toldo está totalmente recolhido antes de iniciar a viagem. O friso frontal tem de estar bem encostado à caixa.



NOTA! Perigo de danos!

Se o toldo tiver sido recolhido molhado, volte a abri-lo assim que possível e deixe secar a lona. Se a lona molhada permanecer enrolada durante um período de tempo mais prolongado, pode ficar com bolor e as cores podem desbotar.

7.4 Ajustar o motor de 12 V (opcional)



OBSERVAÇÃO

O motor de 12 V está pré-montado no rolo.

Se o toldo deixar de abrir ou fechar completamente, ajuste o motor de 12 V (fig. **13**, página 6).

8 Limpeza e manutenção

8.1 Limpar



NOTA! Perigo de danos!

- **Nunca** limpe o toldo com um aparelho de limpeza de alta pressão.
- Não utilize produtos de limpeza abrasivos ou objetos duros para a limpeza, uma vez que podem danificar o produto.

- Remova toda a sujidade (ramos, folhas ou afins) da lona para evitar riscos, manchas e bolor. Além disso, o toldo pode ser danificado se for recolhido.
- Limpe regularmente a lona do toldo para remover a pó e sujidade:
 - Para tal, utilize água com 30 g de agente de limpeza e 30 g de agente de branqueamento em 10 litros de água.
 - Ensaboe a lona com este líquido de limpeza e deixe atuar durante cinco minutos.
 - Depois, lave bem a lona com água limpa.Certifique-se de que o líquido de limpeza com o agente de branqueamento é totalmente lavado. Caso contrário, a lona pode ficar danificada.
- Deixe a lona secar.



OBSERVAÇÃO

O fabricante recomenda:

- utilize o agente de limpeza para toldos Clean&Care (n.º art. 9103501116, disponível junto do seu parceiro de assistência técnica) para limpar a lona.

8.2 Lubrificar

- Se necessário, lubrifique as articulações do toldo com uma cera de parafina, óleo de teflon ou de silicone.

8.3 Verificar

**AVISO!**

Não utilize o toldo se for necessário efetuar ajustes ou reparações. Se detetar danos, por favor, entre em contacto com a assistência técnica no seu país (endereços, ver verso do manual).

- Verifique regularmente o toldo quanto a desequilíbrios e desgaste, assim como danos em peças críticas.
- Verifique regularmente o toldo:
 - A lona está danificada?
 - Os braços do friso frontal estão danificados e/ou existem vestígios de desgaste?
 - O toldo fecha corretamente?

8.4 Reapertar os parafusos da articulação

É necessário reapertar os parafusos da articulação após aplicação das primeiras cargas:

- após as primeiras férias com utilização do toldo
- após 20.000 km ou seis meses após montagem do toldo (o que ocorrer primeiro)

Além disso, é necessário verificar os parafusos da articulação nas inspeções periódicas do veículo.

Para o reaperto dos parafusos, consultar a assistência técnica.

Indicações para a assistência técnica (fig. 14, página 6)

**NOTA!**

Os braços do toldo devem estar livres de carga para que o binário de aperto dos parafusos não seja deturpado.

- Eleve ligeiramente o friso frontal para que as articulações fiquem livres de carga.
- Reaperte os parafusos com 15 – 25 Nm.

8.5 Remendar pequenos furos na lona

Pode remendar pequenos furos na lona ou pequenas partes nas quais o revestimento se solta:

- ▶ Aplique um pouco de adesivo de vinil líquido (n.º art. 9103104018, disponível junto do seu parceiro de assistência técnica) sobre um pano de algodão e esfregue em volta do local danificado.
- ✓ O adesivo de vinil líquido dissolve o revestimento. A secagem tapa o furo.
- ▶ Aguarde que esta zona seque antes de voltar a recolher o toldo.

9 Garantia

É válido o prazo de garantia legal. Se o produto estiver com defeito, por favor, dirija-se ao seu revendedor ou à representação do fabricante no seu país (endereços, ver verso do manual).

Para fins de reparação ou de garantia, terá de enviar os seguintes documentos em conjunto:

- uma cópia da factura com a data de aquisição,
- um motivo de reclamação ou uma descrição da falha.

10 Eliminação

- ▶ Sempre que possível, coloque o material de embalagem no respectivo contentor de reciclagem.




Para colocar o aparelho definitivamente fora de funcionamento, por favor, informe-se junto do centro de reciclagem mais próximo ou revendedor sobre as disposições de eliminação aplicáveis.

11 Dados técnicos

PerfectWall PW1000					
Largura:	2,6 m	3 m	3,5 m	4 m	4,5 m
Avanço:	2 m	2,5 m			
Peso:	18,6 kg	21 kg	24 kg	27 kg	30 kg

PerfectWall PW1500				
Largura:	1,5 m	2,6 m	3 m	3,5 m
Avanço:	1 m	2 m	2,5 m	2,5 m / 2,75 m
Peso:	12 kg	18 kg	21 kg	24 kg

PerfectWall PW1500				
Largura:	4 m	4,5 m	5 m	5,5 m
Avanço:	2,5 m / 2,75 m			
Peso:	27 kg	30 kg	33 kg	36 kg

Motor de 12 V	
Tensão de ligação:	12 V \equiv (11 – 15 V)
Intensidade da corrente:	7 A
Potência de saída:	84 W
Binário:	35 Nm
Verificação/certificado:	



AVVERTENZA!

- Prima dell'utilizzo, della pulizia e della manutenzione è necessario aver letto e compreso bene questo manuale di istruzioni.
- Questo prodotto deve essere montato da personale specializzato. Un montaggio errato può provocare gravi lesioni. Eventuali modifiche al prodotto possono diventare estremamente pericolose e provocare gravi lesioni o danni al dispositivo stesso.
- Questo manuale di istruzioni deve rimanere insieme al prodotto. Il proprietario deve leggerlo attentamente.

Indice

1	Indicazioni per l'uso del manuale di istruzioni	78
2	Indicazioni di sicurezza	78
3	Dotazione	80
4	Accessori	80
5	Conformità d'uso	81
6	Descrizione tecnica.	81
7	Utilizzo della veranda	81
8	Pulizia e cura	87
9	Garanzia	89
10	Smaltimento	89
11	Specifiche tecniche.	90

1 Indicazioni per l'uso del manuale di istruzioni



AVVERTENZA!

Avviso di sicurezza: la mancata osservanza di questo avviso può causare ferite gravi anche mortali.



AVVISO!

La mancata osservanza di questa nota può causare danni materiali e compromettere il funzionamento del prodotto.



NOTA

Informazioni integranti relative all'impiego del prodotto.

2 Indicazioni di sicurezza

Osservare le indicazioni di sicurezza e le direttive previste dal produttore del veicolo e degli specialisti del settore!

Il produttore non si assume nessuna responsabilità per danni nei seguenti casi:

- danni al prodotto dovuti a influenze meccaniche o a sovratensioni
- modifiche al prodotto senza esplicita autorizzazione del produttore
- impiego per altri fini rispetto a quelli descritti nel manuale di istruzioni

Osservare i seguenti avvertimenti:



AVVERTENZA!

- Prima di mettersi in viaggio, controllare che la veranda sia completamente chiusa. Non spostare mai il veicolo con la veranda aperta.
- Non viaggiare mai con la manovella agganciata. Rimuovere la manovella prima di mettersi in viaggio.
- Non guidare il veicolo se il telo è danneggiato o strappato anche se la veranda è stata regolarmente richiusa! I bracci della veranda vengono tenuti dal telo. Se il telo si strappa durante il viaggio, la veranda scatta improvvisamente all'infuori. Questo può provocare gravi lesioni. Fissare la veranda in modo tale che non possa aprirsi inavvertitamente durante la marcia.

- **Non** aprire la veranda durante la marcia.
- **Non** aprire la veranda se tira forte il vento o cade la neve.
- Ritrarre la veranda se si prevede l'arrivo di forte vento, pioggia intensa o neve.
- Assicurarci che non si accumuli acqua o neve sul telo. Se questo succede, la veranda può danneggiarsi o possono rompersi i bracci provocando così lesioni gravi o mortali.
- Non avvicinarsi alla veranda
 - se è rimasta aperta e c'è vento forte,
 - se vi si sono formati accumuli di acqua,
 - se vi si è depositata neve,
 - se sul telo si trova sporcizia pesante accumulata.La veranda può muoversi inaspettatamente, diventare instabile e piegarsi o spezzarsi.
- Non lasciare la veranda aperta e incustodita. Ritrarre veranda prima di lasciare il posteggio.
- In caso di barbecue con fiamme libere, tenere la veranda distante dal fuoco. Il telo può danneggiarsi con il calore o prendere fuoco.
- Il presente dispositivo può essere usato da bambini dagli 8 anni in su, da persone con ridotte capacità fisiche, sensoriali o mentali o con poca esperienza o conoscenze se non lasciati soli o se istruiti sul suo utilizzo sicuro e sui pericoli che possono sorgere.
- Sorvegliare i bambini per evitare che giochino con il dispositivo.



AVVISO!

- Posizionare il proprio caravan o camper in modo tale che sul telo non si depositi sporcizia (rami, foglie o simili).
- Il telo della veranda non deve allentarsi ai lati, ma rimanere sempre ben teso. Se il telo si allenta, può sfregare sui bracci e venirne danneggiato.
Con le verande lunghe è normale che il telo penda al centro.
- Richiudere la veranda solamente se sul telo non vi è sporcizia (rami, foglie o simili), altrimenti la veranda potrebbe danneggiarsi in fase di ritrazione.
- Tenere la veranda pulita per evitare danneggiamenti, macchie e muffa.
- Ritrarre la veranda da bagnata solo in caso di emergenza. Estrarla nuovamente prima possibile, altrimenti possono formarsi muffa o macchie o il colore può stingersi.

- Non piegare mai verso il basso un braccio della veranda o la mascherina per fare defluire l'acqua. La veranda in questo modo potrebbe piegarsi e il suo funzionamento essere compromesso.
- Non appendere oggetti alla veranda, né sulla mascherina anteriore, né sui bracci.
- Non utilizzare spray (ad es. spray insetticida, lacca per capelli) in prossimità della veranda. Il telo si sporcherebbe o l'effetto imperlante del telo potrebbe andare perso.
- Se dopo il montaggio della veranda non rimane spazio libero sufficiente sopra la porta, quest'ultima deve rimanere chiusa quando la veranda viene estratta o ritratta, per impedire che la porta entri in contatto con i bracci o il listello anteriore.
Lo spazio libero necessario dipende dal tipo di porta (larghezza della porta, porta a vento, porta scorrevole) e dall'angolo d'inclinazione della veranda.

3 Dotazione

Totale	Descrizione
1	Veranda
1	Istruzioni per l'uso
1	Istruzioni di montaggio

4 Accessori

Disponibili come accessori (non in dotazione):

Descrizione	Numero articolo
Dometic Light LK120 Illuminazione a LED con comando a distanza per il montaggio sui bracci della veranda	9106504018
Tie Down Kit Cinghie per tendere la veranda	9103104000

5 Conformità d'uso

Le verande PerfectWall PW1000 e PW1500 sono adatte per l'installazione su camper e caravan.

Le verande possono essere utilizzate solamente a veicolo fermo.

6 Descrizione tecnica

PerfectWall PW1000 e PW1500 sono verande apribili e richiudibili per mezzo di una manovella.

La veranda PerfectWall PW1500 può opzionalmente essere aperta e richiusa anche con un motore da 12 V.

Le verande vengono assicurate alla parete del veicolo o al suolo tramite aste.

7 Utilizzo della veranda

Osservare anche le indicazioni di sicurezza al capitolo "Indicazioni di sicurezza" a pagina 78.

7.1 Indicazioni sul posteggio del veicolo



AVVISO!

- Posizionare il veicolo in modo che sul telo non si depositi sporcizia (rami, foglie o simili).
- Tenere la veranda pulita per evitare danneggiamenti, macchie e muffa.

7.2 Estrazione della veranda

Apertura della veranda con la manovella



AVVERTENZA! Rischio di lesioni!

Mantenere una distanza sufficiente dagli oggetti o da altri veicoli. Dopo aver estratto la veranda, fra questa e gli altri oggetti o veicoli deve esserci una distanza minima di 40 cm.

- Inserire la manovella nell'apposita sede della veranda (fig. **1**, pagina 2).
- Ruotarla finché la veranda non è fuoriuscita per circa 1,5 m (fig. **2**, pagina 2).
- Scorrere l'asta destra completamente nella mascherina anteriore in modo tale che possa muoversi liberamente (fig. **4**, pagina 3).
- Portare l'asta destra di lato (fig. **4**, pagina 3).
- Aprire l'asta destra verso il basso e posizionarla al suolo (fig. **5**, pagina 4).
- Regolarla all'altezza desiderata (fig. **6**, pagina 4).
- Alzare la leva sull'asta per fissarla (fig. **7**, pagina 4).
- Procedere nello stesso modo per l'altra asta.
- Ruotare la manovella finché la veranda non viene estratta nella posizione desiderata. Posizionare nuovamente le aste in verticale ogni 30 cm sotto la mascherina anteriore per far sì che la veranda venga tenuta sempre in posizione sicura.
- Ruotare indietro la manovella di ca. 1/4 di giro per portare il telo in tensione.



AVVISO! Pericolo di danni!

Il telo della veranda non deve allentarsi ai lati, ma rimanere sempre ben teso. Se il telo si allenta, può sfregare sui bracci e venirne danneggiato. Con le verande lunghe è normale che il telo penda al centro.

- Disinserire la manovella dall'apposita sede della veranda.

Estrazione della veranda con il motore da 12 V (solo PW1500)**AVVERTENZA! Rischio di lesioni!**

Mantenere una distanza sufficiente dagli oggetti o da altri veicoli. Dopo aver estratto la veranda, fra questa e gli altri oggetti o veicoli deve esserci una distanza minima di 40 cm.

- Attivare l'interruttore del motore da 12 V finché la veranda non è fuoriuscita per circa 1,5 m (fig. **3**, pagina 3).
- Scorrere l'asta destra completamente nella mascherina anteriore in modo tale che possa muoversi liberamente (fig. **4**, pagina 3).
- Portare l'asta destra di lato (fig. **4**, pagina 3).
- Aprire l'asta destra verso il basso e posizionarla al suolo (fig. **5**, pagina 4).
- Regolarla all'altezza desiderata (fig. **6**, pagina 4).
- Alzare la leva sull'asta per fissarla (fig. **7**, pagina 4).
- Procedere nello stesso modo per l'altra asta.
- Attivare l'interruttore del motore da 12 V finché la veranda non è fuoriuscita nella posizione desiderata. Posizionare nuovamente le aste in verticale ogni 30 cm sotto la mascherina anteriore per far sì che la veranda venga tenuta sempre in posizione sicura.
- Attivare l'interruttore del motore da 12 V per ritrarre la veranda fino a che il telo non è teso.

**AVVISO! Pericolo di danni!**

Il telo della veranda non deve allentarsi ai lati, ma rimanere sempre ben teso. Se il telo si allenta, può sfregare sui bracci e venirse danneggiato. Con le verande lunghe è normale che il telo penda al centro.

Posizionamento delle aste sul suolo



AVVERTENZA! Rischio di lesioni

- Posizionare le aste esclusivamente su una base rigida.
- Fare in modo che non scivolino via.

- Posizionare l'asta in verticale sotto la mascherina anteriore.
- Assicurare l'asta al suolo con i picchetti (fig. **8**, pagina 4).
- Regolare un po' più in basso una delle due aste affinché la mascherina anteriore presenti una leggera pendenza. In questo modo la pioggia può scorrere via più facilmente (fig. **9**, pagina 5).

Fissaggio delle aste al veicolo

È possibile fissare la veranda direttamente al veicolo se sono stati montati gli arresti per le aste.

- Far scorrere verso l'alto la copertura dell'arresto (fig. **10**, pagina 5).
- Agganciare l'asta nell'arresto (fig. **10**, pagina 5).
- Far scorrere verso il basso la copertura dell'arresto (fig. **10**, pagina 5).
- Regolare un po' più in basso una delle due aste affinché la mascherina anteriore presenti una leggera pendenza. In questo modo la pioggia può scorrere via più facilmente (fig. **11**, pagina 5).

Montaggio dell'asta di bloccaggio

Per tende con una lunghezza di 4 m o superiore, deve essere montata un'asta di bloccaggio al centro della veranda. In questo modo si evita che la veranda penda.

- Ritirare l'asta di bloccaggio (fig. **12**, pagina 6).
- Agganciare l'estremità superiore dell'asta di bloccaggio nell'apposita sede dell'alloggiamento (fig. **12**, pagina 6).
- Inserire l'altra estremità nell'apposita sede della mascherina anteriore (fig. **12**, pagina 6).

7.3 Chiusura della veranda



AVVISO!

- Richiudere la veranda solamente se sul telo non vi è sporcizia (rami, foglie o simili), altrimenti in fase di chiusura, la veranda potrebbe danneggiarsi.
- Tenere la veranda pulita per evitare danneggiamenti, macchie e muffa.
- Durante la chiusura della veranda, fare attenzione che quest'ultima non rimanga bloccata da rami o altri oggetti.

- Rimuovere la sporcizia (rami, foglie o simili) che si trova sul telo.
- Liberare il fissaggio delle aste (picchetti o arresto sul veicolo).

Chiusura della veranda con la manovella

- Agganciare l'estremità superiore della manovella nell'apposita sede della veranda.
- Ruotarla finché la veranda non è aperta solo per circa 1,5 m. Posizionare nuovamente le aste in verticale ogni 30 cm sotto la mascherina anteriore per far sì che la veranda venga tenuta sempre in posizione sicura.
- Abbassare la leva dell'asta destra per sbloccare l'asta.
- Ritrarre completamente l'asta.
- Richiudere in alto l'asta destra.
- Portare l'asta destra nella mascherina anteriore.
- Spingere la parte inferiore dell'asta destra nell'arresto della mascherina anteriore.
- Procedere nello stesso modo per l'altra asta.
- Ruotare la manovella finché la veranda non è completamente richiusa.
- Prima di partire, assicurarsi che la veranda sia completamente richiusa. La mascherina anteriore deve aderire bene all'alloggiamento.

- Disinserire la manovella dall'apposita sede della veranda.

**AVVISO! Pericolo di danni!**

Se la veranda è stata richiusa ancora bagnata, alla prima occasione estrarla di nuovo e lasciare asciugare il telo. Se il telo bagnato rimane arrotolato per lungo tempo, si formano macchie di muffa e i colori possono sbiadire.

Chiusura della veranda con il motore da 12 V (solo PW1500)

- Attivare l'interruttore del motore da 12 V finché la veranda non è fuoriuscita solo per circa 1,5 m. Posizionare nuovamente le aste in verticale ogni 30 cm sotto la mascherina anteriore per far sì che la veranda venga tenuta sempre in posizione sicura.
- Abbassare la leva dell'asta destra per sbloccare l'asta.
- Ritrarre completamente l'asta.
- Richiudere in alto l'asta destra.
- Portare l'asta destra nella mascherina anteriore.
- Spingere la parte inferiore dell'asta destra nell'arresto della mascherina anteriore.
- Procedere nello stesso modo per l'altra asta.
- Attivare l'interruttore del motore da 12 V finché la veranda non è completamente richiusa.
- Prima di partire, assicurarsi che la veranda sia completamente richiusa. La mascherina anteriore deve aderire bene all'alloggiamento.

**AVVISO! Pericolo di danni!**

Se la veranda è stata richiusa ancora bagnata, alla prima occasione estrarla di nuovo e lasciare asciugare il telo. Se il telo bagnato rimane arrotolato per lungo tempo, si formano macchie di muffa e i colori possono sbiadire.

7.4 Regolazione del motore da 12 V (opzionale)



NOTA

Il motore da 12 V è premontato nell'albero.

Se la veranda non si apre o chiude più completamente, è necessario eseguire la regolazione del motore da 12 V (fig. 13, pagina 6).

8 Pulizia e cura

8.1 Pulizia



AVVISO! Pericolo di danni!

- Non pulire **mai** la veranda con un'idropulitrice.
- Per la pulizia non impiegare oggetti appuntiti o detersivi corrosivi perché potrebbero danneggiare il prodotto.

- Togliere dal telo qualsiasi deposito di sporcizia (rami, foglie o simili) per evitare danneggiamenti, macchie e muffa. Inoltre possono danneggiare la veranda quando questa viene richiusa.
- Pulire regolarmente il telo della veranda per rimuovere la polvere e lo sporco:
 - utilizzare 30 g di detersivo e 30 g di candeggina diluiti in 10 litri di acqua.
 - Insaponare il telo con questa soluzione e lasciare agire il detersivo liquido per cinque minuti.
 - Risciacquare accuratamente con acqua pulita.
 Assicurarsi che il detersivo liquido con la candeggina sia completamente lavato via, altrimenti può danneggiare il telo.
 - Lasciar asciugare il telo.



NOTA

Il produttore raccomanda:

- per la pulizia del pannello utilizzare il detersivo per verande Clean&Care (n. art. 9103501116, disponibile presso il vostro Punto di Assistenza).

8.2 Lubrificazione

- All'occorrenza lubrificare gli snodi della veranda con cera di paraffina, olio al teflon o al silicone.

8.3 Controllo



AVVERTENZA!

Non utilizzare la veranda se necessita di registrazioni o riparazioni. Se si riscontrano danni, rivolgersi al servizio di assistenza del rispettivo paese (per gli indirizzi, vedi il retro del manuale di istruzioni).

- Ispezionare regolarmente la veranda per eventuali sbilanciamenti e usura o danneggiamenti alle parti critiche.
- Controllare regolarmente la veranda:
 - Il telo presenta danneggiamenti?
 - I bracci e la mascherina anteriore presentano danneggiamenti o segni di usura?
 - La veranda si chiude correttamente?

8.4 Serraggio delle viti nelle staffe di fissaggio articolate

Le viti nella staffa di fissaggio articolata devono essere serrate dopo le prime sollecitazioni:

- dopo la prima vacanza in cui si è utilizzata la veranda
- dopo 20.000 km di marcia del veicolo o sei mesi dopo l'installazione della veranda (ciò che si presenta prima)

Inoltre si consiglia di controllare le viti della staffa di fissaggio articolata ispezionando il veicolo a intervalli regolari.

Per il serraggio delle viti rivolgersi al proprio servizio di assistenza.

Istruzioni per il servizio di assistenza (fig. 14, pagina 6)



AVVISO!

I bracci della veranda devono essere liberi da carichi affinché il momento di serraggio delle viti non venga falsato.

- Sollevare leggermente il listello anteriore per togliere il carico dagli snodi.
- Stringere le viti con 15 – 25 Nm.

8.5 Rammendare le piccole forature nel telo

Potete rammendare da soli le piccole forature nel telo o nei punti in cui il rivestimento si consuma:

- con uno straccio di cotone distribuire intorno ai punti danneggiati un po' di cerotto in vinile liquido (n. art. 9103104018, disponibile presso il vostro servizio di assistenza).
- ✓ Il cerotto in vinile liquido rimuove leggermente il rivestimento. Il rivestimento chiude il foro mentre si asciuga.
- Attendere che la riparazione si sia asciugata prima di richiudere la veranda.

9 Garanzia

Vale il termine di garanzia previsto dalla legge. Qualora il prodotto risultasse difettoso, La preghiamo di rivolgersi al proprio rivenditore specializzato o alla filiale del produttore del suo Paese (l'indirizzo si trova sul retro del manuale di istruzioni).

Per la riparazione e per il disbrigo delle condizioni di garanzia è necessario inviare la seguente documentazione:

- una copia della fattura con la data di acquisto del prodotto,
- un motivo su cui fondare il reclamo, oppure una descrizione del guasto.

10 Smaltimento

- Raccogliere il materiale di imballaggio possibilmente negli appositi contenitori di riciclaggio.




Quando il prodotto viene messo fuori servizio definitivamente, informarsi al centro di riciclaggio più vicino, oppure presso il proprio rivenditore specializzato, sulle prescrizioni adeguate concernenti lo smaltimento.

11 Specifiche tecniche

PerfectWall PW1000					
Larghezza:	2,6 m	3 m	3,5 m	4 m	4,5 m
Estensione:	2 m	2,5 m			
Peso:	18,6 kg	21 kg	24 kg	27 kg	30 kg

PerfectWall PW1500				
Larghezza:	1,5 m	2,6 m	3 m	3,5 m
Estensione:	1 m	2 m	2,5 m	2,5 m / 2,75 m
Peso:	12 kg	18 kg	21 kg	24 kg

PerfectWall PW1500				
Larghezza:	4 m	4,5 m	5 m	5,5 m
Estensione:	2,5 m / 2,75 m			
Peso:	27 kg	30 kg	33 kg	36 kg

Motore da 12 V	
Tensione di allacciamento:	12 V $\overline{=}$ (11 – 15 V)
Intensità di corrente:	7 A
Potenza di uscita:	84 W
Coppia:	35 Nm
Certificati di controllo:	



WAARSCHUWING!

- Deze handleiding moet voor gebruik, reiniging en onderhoud worden gelezen en begrepen.
- Dit toestel moet door een vakman worden gemonteerd. Onjuiste montage kan leiden tot ernstig letsel. Constructiewijzigingen van het product kunnen zeer gevaarlijk zijn of leiden tot defecten van het toestel.
- Deze handleiding moet bij het product worden bewaard. De eigenaar moet de handleiding nauwkeurig lezen.

Inhoudsopgave

1	Aanwijzingen voor het gebruik van de handleiding	92
2	Veiligheidsinstructies	92
3	Omvang van de levering	94
4	Toebehoren.	94
5	Gebruik volgens bestemming	95
6	Technische beschrijving	95
7	Luifel bedienen	95
8	Reiniging en verzorging	101
9	Garantie	103
10	Afvoer	103
11	Technische gegevens	104

1 Aanwijzingen voor het gebruik van de handleiding

**WAARSCHUWING!**

Veiligheidsaanwijzing: Het niet naleven kan leiden tot overlijden of ernstig letsel.

**LET OP!**

Het niet naleven ervan kan leiden tot materiële schade en de werking van het product beperken.

**INSTRUCTIE**

Aanvullende informatie voor het bedienen van het product.

2 Veiligheidsinstructies

Neem de veiligheidsinstructies en voorschriften van de fabrikant van het voertuig en het garagebedrijf in acht!

De fabrikant kan in de volgende gevallen niet aansprakelijk worden gesteld voor schade:

- beschadiging van het product door mechanische invloeden en overspanningen
- veranderingen aan het product zonder uitdrukkelijke toestemming van de fabrikant
- gebruik voor andere dan de in de handleiding beschreven toepassingen

Neem volgende waarschuwingen in acht:

**WAARSCHUWING!**

- Controleer voor het vertrek of het luifel volledig opgetrokken is. Beweeg bij een geopend luifel nooit het voertuig.
- Rijd nooit met ingehangen kruk. Haal de kruk voor het rijden eraf.
- Rij niet met het voertuig als de doek beschadigd of ingescheurd is, ook als het luifel reglementair gesloten is! De luifelarmen worden door de doek vastgehouden. Als de doek bij het rijden scheurt, springt het luifel plots los. Dat kan tot zware verwondingen leiden. Bevestig het luifel zodanig dat het tijdens het rijden niet plotseling en onverwacht open kan gaan.

- Open het luifel **niet** tijdens het rijden.
- Open het luifel **niet** bij sterke wind of sneeuwval.
- Schuif het luifel in als sterke wind, zware regen of sneeuwval worden verwacht.
- Zorg ervoor dat zich geen water of sneeuw op de doek verzamelt. Anders kan het luifel beschadigd worden of de luifelarmen kunnen afbreken en zo zware verwondingen of de dood veroorzaken.
- Blijf uit de buurt van het luifel,
 - als dit tijdens zware wind geopend is,
 - als zich waterplassen op het scherm hebben gevormd,
 - als het scherm met sneeuw is bedekt,
 - als zich veel grof vuil op het scherm bevindt.Het luifel kan onverwacht bewegen, instabiel worden of buigen of afbreken.
- Laat het neergelaten luifel niet onbeheerd. Trek het luifel op voor u uw standplaats verlaat.
- Houd bij het barbecueën met open vuur voldoende afstand van het luifel. De doek kan door de hitte beschadigd worden of in brand vliegen.
- Dit toestel kan door kinderen vanaf 8 jaar en ouder evenals door personen met verminderde fysieke, zintuiglijke of geestelijke vermogens of tekortschietende ervaring en kennis gebruikt worden, als ze worden begeleid of hun is uitgelegd hoe ze het toestel veilig kunnen gebruiken. Ook dienen ze inzicht te hebben in de gevaren die het gebruik van het toestel met zich meebrengt.
- Er moet toezicht worden gehouden op kinderen, zodat ze niet met het toestel gaan spelen.



LET OP!

- Stel de camper of de caravan zo op dat er geen vuil (takken, bladeren of dergelijke) op de doek terecht kunnen komen.
- Het doek van het luifel mag langs de randen net doorhangen, maar moet steeds strak staan. Als de doek doorhangt, kan ze aan de armen schuren en beschadigd worden. Bij lange luifels mag de doek in het midden doorhangen.
- Trek het luifel alleen op als er geen vuil (takken, bladeren of dergelijke) op de doek ligt. Bij het inschuiven kan het luifel anders beschadigd worden.
- Houd het luifel schoon, om schuurplekken, vlekken en schimmel te voorkomen.

- Schuif het luifel uitsluitend uit veiligheidsredenen nat in. Schuif het onmiddellijk weer uit, indien dit mogelijk is. Anders bestaat gevaar voor schimmelvorming, vlekken of verbleken van de kleur.
- Buig nooit een luifelarm of de kap naar onderen om water op de luifel te laten aflopen. De luifel kan hierdoor buigen en de werking kan gehinderd worden.
- Hang geen voorwerpen aan het luifel, noch aan de frontkap noch aan de luifelarmen.
- Gebruik geen sprays (bijv. insectenspray, haarspray) in de buurt van het luifel. De doek wordt hierdoor vervuild of het afdruppeffect van de doek kan hierdoor verloren gaan.
- Als na inbouw van het luifel onvoldoende vrije ruimte boven de deur over is, moet de deur tijdens in- of uitbewegen gesloten blijven om contact van de deur met de armen of de frontlijst te vermijden. De vereiste vrije ruimte hangt af van de bouwwijze van de deur (deurbreedte, zwenkende deur of schuifdeur) alsmede van de ingestelde hoek van de luifel.

3 Omvang van de levering

Aantal	Aanduiding
1	Luifel
1	Gebruiksaanwijzing
1	Montagehandleiding

4 Toebehoren

Als toebehoren verkrijgbaar (niet in de leveringsomvang inbegrepen):

Omschrijving	Artikelnummer
Dometic Light LK120 LED-verlichting met afstandsbediening voor de montage aan de luifelarmen	9106504018
Tie Down Kit Riemen voor het spannen van de luifels	9103104000

5 Gebruik volgens bestemming

De luifels PerfectWall PW1000 en PW1500 zijn geschikt voor de montage aan campers of caravans.

De luifels mogen alleen bij stilstand worden gebruikt.

6 Technische beschrijving

PerfectWall PW1000 en PW1500 zijn luifels die met een handzwengel kunnen worden in- en uitgeschoven.

De luifel PerfectWall PW1500 kan optioneel ook met een 12-V-motor worden in- en uitgeschoven.

De luifels worden met steunen tegen de voertuigwand of op de grond beveiligd.

7 Luifel bedienen

Neem ook de veiligheidsaanwijzingen in acht in hoofdstuk „Veiligheidsinstructies“ op pagina 92!

7.1 Aanwijzingen bij de standplaats van het voertuig



LET OP!

- Stel het voertuig zodanig op dat er geen vuil (takken, bladeren of dergelijke) op de doek terecht kunnen komen.
- Houd het luifel schoon, om schuurplekken, vlekken en schimmel te voorkomen.

7.2 Luifel neerlaten

Luifel met handkruk uitschuiven



WAARSCHUWING! Gevaar voor verwonding!

Houd voldoende afstand tot voorwerpen of andere voertuigen. Na het neerlaten moet rondom een minimumafstand tot andere voorwerpen of voertuigen van 40 cm worden aangehouden.

- Vergrendel de handzwengel in de opname van het luifel (afb. **1**, pagina 2).
- Draai de handzwengel tot het luifel ongeveer 1,5 m is uitgeschoven (afb. **2**, pagina 2).
- Schuif de rechter steunen in de frontkap volledig in elkaar zodat deze vrij kunnen bewegen (afb. **4**, pagina 3).
- Draai de rechter steun opzij (afb. **4**, pagina 3).
- Klap de rechter steun omlaag weg en plaats deze op de bodem (afb. **5**, pagina 4).
- Stel de steun in op de gewenste hoogte (afb. **6**, pagina 4).
- Klap de hendel van de steun omhoog om de steun te fixeren (afb. **7**, pagina 4).
- Doe hetzelfde bij de andere steun.
- Draai de handzwengel tot het luifel in de gewenste stand neergelaten is. Plaats de steunen regelmatig elke 30 cm weer verticaal onder frontkap zodat het luifel steeds veilig wordt ondersteund.
- Draai de handzwengel ca. een 1/4 omdraaiing terug opdat de doek gespannen wordt.



LET OP! Gevaar voor beschadiging!

Het doek van het luifel mag langs de randen net doorhangen, maar moet steeds strak staan. Als de doek doorhangt, kan ze aan de armen schuren en beschadigd worden.

Bij lange luifels mag de doek in het midden doorhangen.

- Neem de handzwengel uit de opname van het luifel.

Luifel met 12-V-motor uitschuiven (alleen PW1500)**WAARSCHUWING! Gevaar voor verwonding!**

Houd voldoende afstand tot voorwerpen of andere voertuigen. Na het neerlaten moet rondom een minimumafstand tot andere voorwerpen of voertuigen van 40 cm worden aangehouden.

- Bedien de schakelaar van de 12-V-motor tot de luifel ongeveer 1,5 m is uitgeschoven (afb. **3**, pagina 3).
- Schuif de rechter steunen in de frontkap volledig in elkaar zodat deze vrij kunnen bewegen (afb. **4**, pagina 3).
- Draai de rechter steun opzij (afb. **4**, pagina 3).
- Klap de rechter steun omlaag weg en plaats deze op de bodem (afb. **5**, pagina 4).
- Stel de steun in op de gewenste hoogte (afb. **6**, pagina 4).
- Klap de hendel van de steun omhoog om de steun te fixeren (afb. **7**, pagina 4).
- Doe hetzelfde bij de andere steun.
- Bedien de schakelaar van de 12-V-motor tot de luifel in de gewenste stand is uitgeschoven. Plaats de steunen regelmatig elke 30 cm weer verticaal onder frontkap zodat het luifel steeds veilig wordt ondersteund.
- Bedien de schakelaar van de 12-V-motor om de luifel in te schuiven tot het doek gespannen is.

**LET OP! Gevaar voor beschadiging!**

Het doek van het luifel mag langs de randen net doorhangen, maar moet steeds strak staan. Als de doek doorhangt, kan ze aan de armen schuren en beschadigd worden. Bij lange luifels mag de doek in het midden doorhangen.

Steunen op de grond plaatsen



WAARSCHUWING! Gevaar voor verwonding

- Plaats de steunen uitsluitend op een vaste ondergrond.
- Beveilig de steun tegen wegglijden.

- Plaats de steun verticaal onder de frontkap.
- Beveilig de steun met haringen (afb. **8**, pagina 4).
- Plaats een steun iets dieper, zodat de frontkap iets schuin hangt. Zo kan regenwater er beter direct aflopen (afb. **9**, pagina 5).

Steun aan het voertuig bevestigen

U kunt het luifel direct aan uw voertuig bevestigen, indien u de steunvergrendelingen heeft gemonteerd.

- Schuif de afdekking van de vergrendeling omhoog (afb. **10**, pagina 5).
- Hang de steun in de vergrendeling (afb. **10**, pagina 5).
- Schuif de afdekking van de vergrendeling omlaag (afb. **10**, pagina 5).
- Plaats een steun iets dieper, zodat de frontkap iets schuin hangt. Zo kan regenwater er beter direct aflopen (afb. **11**, pagina 5).

Spanstang monteren

Bij luifels met een lengte van 4 m of meer moet een spanstang in het midden van het luifel worden bevestigd. Hierdoor wordt verhinderd dat het luifel doorhangt.

- Schuif de spanstang in elkaar (afb. **12**, pagina 6).
- Vergrendel het boven einde van de spanstang in de opname van de behuizing (afb. **12**, pagina 6).
- Schuif het andere einde van de spanstang in de opname in de frontkap (afb. **12**, pagina 6).

7.3 Luifel optrekken



LET OP!

- Trek het luifel alleen op als er geen vuil (takken, bladeren of dergelijke) op de doek ligt. Bij het optrekken kan het luifel anders beschadigd worden.
- Houd het luifel schoon, om schuurplekken, vlekken en schimmel te voorkomen.
- Let er bij het optrekken van de luifel op dat er geen takken of andere voorwerpen worden ingeklemd.

- Verwijder vuil (takken, bladeren of dergelijke) dat op de doek ligt.
- Maak de bevestiging van de steunen los (haringen of vergrendeling van het voertuig).

Luifel met handkruk inschuiven

- Vergrendel het bovineinde van de handzwengel in de opname van het luifel.
- Draai de handzwengel tot het luifel nog slechts 1,5 m uitgeschoven is. Plaats de steunen regelmatig elke 30 cm weer verticaal onder frontkap zodat het luifel steeds veilig wordt ondersteund.
- Klap de hendel van de rechtersteun omlaag om de steun los te maken.
- Schuif de steun volledig in elkaar.
- Klep de rechtersteun omhoog.
- Draai de rechtersteun in de frontkap.
- Schuif het onderste deel van de rechter steun in de vergrendeling van de frontkap.
- Schuif de andere steun ook in.
- Draai aan de handzwengel tot het luifel volledig opgetrokken is.
- Controleer of het luifel volledig opgetrokken is voor u vertrekt. De frontkap moet dicht tegen de behuizing liggen.

- Neem de handzwenkel uit de opname van het luifel.

**LET OP! Gevaar voor beschadiging!**

Als het luifel in natte toestand opgetrokken werd, laat het dan bij de volgende gelegenheid opnieuw neer en laat de doek drogen. Als de natte doek langere tijd opgerold blijft, wordt het muf en de kleuren kunnen verbleken.

Luifel met 12-V-motor inschuiven (alleen PW1500)

- Bedien de schakelaar van de 12-V-motor tot de luifel nog slechts ongeveer 1,5 m is uitgeschoven. Plaats de steunen regelmatig elke 30 cm weer verticaal onder frontkap zodat het luifel steeds veilig wordt ondersteund.
- Klap de hendel van de rechtersteun omlaag om de steun los te maken.
- Schuif de steun volledig in elkaar.
- Klep de rechtersteun omhoog.
- Draai de rechtersteun in de frontkap.
- Schuif het onderste deel van de rechter steun in de vergrendeling van de frontkap.
- Schuif de andere steun ook in.
- Bedien de schakelaar van de 12-V-motor tot de luifel volledig is ingeschoven.
- Controleer of het luifel volledig opgetrokken is voor u vertrekt. De frontkap moet dicht tegen de behuizing liggen.

**LET OP! Gevaar voor beschadiging!**

Als het luifel in natte toestand opgetrokken werd, laat het dan bij de volgende gelegenheid opnieuw neer en laat de doek drogen. Als de natte doek langere tijd opgerold blijft, wordt het muf en de kleuren kunnen verbleken.

7.4 12-V-motor instellen (optioneel)



INSTRUCTIE

De 12-V-motor is voorgesloten in de doekas.

Indien de luifel niet meer volledig sluit of opent, stelt u de 12-V-motor in (afb. **13**, pagina 6).

8 Reiniging en verzorging

8.1 Reinigen



LET OP! Gevaar voor beschadiging!

- Reinig het luifel **nooit** met een hogedrukreiniger.
- Gebruik voor het reinigen geen bijtende reinigingsmiddelen of harde voorwerpen, het product zou hierdoor kunnen beschadigen.

- Verwijder grondig al het vuil (takken, bladeren en dergelijke) dat op de doek ligt om schuurplekken, vlekken en schimmel te vermijden. Bovendien kan het luifel worden beschadigd, als deze wordt ingeschoven.
- Reinig de doek van het luifel regelmatig om stof en vuil te verwijderen:
 - Gebruik hiervoor water met 30 g afwasmiddel en 30 g bleekmiddel op 10 liter water.
 - Zeep de doek daarmee in en laat de reinigingsvloeistof vijf minuten inwerken.
 - Spoel grondig met helder water na.
Zorg ervoor dat de reinigingsvloeistof met het bleekmiddel volledig afgewassen is. Anders kan de doek beschadigd worden.
 - Laat de doek drogen.



INSTRUCTIE

De fabrikant adviseert:

- Gebruik voor de reiniging van het doek het Dometic Clean&Care luifelreinigingsmiddel (artikelnr. 9103501116, verkrijgbaar bij uw servicepartner).

8.2 Smeren

- Behandel indien nodig de scharnieren van het luifel met paraffinewas of teflon- of siliconeolie.

8.3 Controleren



WAARSCHUWING!

Gebruik het luifel niet, als instellingen of reparaties moeten worden uitgevoerd.

Als u schade vaststelt, neem dan contact op met de servicepartner in het betreffende land (adressen zie achterkant van de handleiding).

- Controleer het luifel regelmatig op onbalans en slijtage alsmede op beschadiging van kritieke onderdelen.
- Controleer het luifel regelmatig:
 - Is de doek onbeschadigd?
 - Zijn de armen en de frontkap onbeschadigd en zonder slijtagesporen?
 - Sluit het luifel correct?

8.4 Draai de schroeven van de schouderscharnieren vast

De schroeven aan het schouderscharnier moeten na eerste belastingen opnieuw worden vastgedraaid:

- na de eerste vakantie met gebruik van het luifel
- na 20 000 km rijden of zes maanden na inbouw van het luifel (welke het eerste is)

Bovendien moeten de schroeven aan het schouderscharnier bij regelmatige voertuigcontroles worden gecontroleerd.

Neem voor het vastdraaien van de schroeven contact op met uw servicepartner.

Service-instructie (afb. 14, pagina 6)



LET OP!

De luifelarmen moeten lastvrij zijn zodat het aandraaimoment van de schroeven duidelijk is.

- Til de frontlijst iets op zodat de scharnieren lastvrij zijn.
- Draai de schroeven aan met 15 – 25 Nm.

8.5 Kleine gaatjes in de doek repareren

Kleine gaatjes in de doek of plaatsen waarop de coating verdwijnt, kunt u zelf repareren:

- ▶ Wrijf met een katoenen doek rondom de beschadigde plaats een beetje vloeibare vinylplamuur (artikelnr. 9103104018, verkrijgbaar via uw servicepartner).
- ✓ De vloeibare vinylplamuur lost de coating op. De coating sluit het gat bij het drogen.
- ▶ Wacht tot de plaats droog is voor u het luifel opnieuw optrekt.

9 Garantie

De wettelijke garantieperiode is van toepassing. Als het product defect is, wendt u zich tot uw speciaalzaak of tot het filiaal van de fabrikant in uw land (adressen zie achterkant van de handleiding).

Voor de afhandeling van de reparatie of garantie dient u de volgende documenten mee te sturen:

- een kopie van de factuur met datum van aankoop,
- reden van de klacht of een beschrijving van de storing.

10 Afvoer

- ▶ Laat het verpakkingsmateriaal indien mogelijk recycleren.




Als u het product definitief buiten bedrijf stelt, informeer dan bij het dichtstbijzijnde recyclingcentrum of uw speciaalzaak naar de betreffende afvoervoorschriften.

11 Technische gegevens

PerfectWall PW1000					
Breedte:	2,6 m	3 m	3,5 m	4 m	4,5 m
Neergelaten:	2 m	2,5 m			
Gewicht:	18,6 kg	21 kg	24 kg	27 kg	30 kg

PerfectWall PW1500				
Breedte:	1,5 m	2,6 m	3 m	3,5 m
Neergelaten:	1 m	2 m	2,5 m	2,5 m / 2,75 m
Gewicht:	12 kg	18 kg	21 kg	24 kg

PerfectWall PW1500				
Breedte:	4 m	4,5 m	5 m	5,5 m
Neergelaten:	2,5 m / 2,75 m			
Gewicht:	27 kg	30 kg	33 kg	36 kg

12-V-motor	
Aansluitspanning:	12 V $\overline{=}$ (11 – 15 V)
Stroomsterkte:	7 A
Uitgangsvermogen:	84 W
Draaimoment:	35 Nm
Keurmerk/certificaat:	

**ADVARSEL!**

- Denne vejledning skal læses og forstås før anvendelsen, rengøringen og vedligeholdelsen.
- Dette produkt skal monteres af en fagmand. En forkert montering kan medføre alvorlige kvæstelser. Ombygninger på produktet kan være yderst farlige og medføre alvorlige kvæstelser eller skader på apparatet.
- Denne vejledning skal blive ved produktet. Ejeren skal læse den opmærksomt.

Indholdsfortegnelse

1	Henvisninger vedr. brug af vejledningen	106
2	Sikkerhedshenvisninger	106
3	Leveringsomfang.	108
4	Tilbehør	108
5	Korrekt brug	109
6	Teknisk beskrivelse	109
7	Betjening af markisen	109
8	Rengøring og vedligeholdelse.	115
9	Garanti	117
10	Bortskaffelse	117
11	Tekniske data.	118

1 Henvisninger vedr. brug af vejledningen

**ADVARSEL!**

Sikkerhedshenvisning: Manglende overholdelse kan medføre død eller alvorlig kvæstelse.

**VIGTIGT!**

Manglende overholdelse kan medføre materielle skader og begrænse produktets funktion.

**BEMÆRK**

Supplerende informationer om betjening af produktet.

2 Sikkerhedshenvisninger

Overhold sikkerhedshenvisningerne og pålæggene, der er foreskrevet af køretøjsproducenten og af automobilbranchen!

Producenten påtager sig intet ansvar for skader i følgende tilfælde:

- Beskadigelser på produktet på grund af mekanisk påvirkning og overspænding
- Ændringer på produktet uden udtrykkelig tilladelse fra producenten
- Anvendelse til andre formål end dem, der er beskrevet i vejledningen

Overhold følgende advarselshenvisninger:

**ADVARSEL!**

- Kontrollér, om markisen er kørt helt ind, før du kører. Flyt ikke køretøjet, når markisen er åbnet.
- Kør aldrig med påsat håndsving. Tag håndsvinget af, før du kører.
- Kør ikke med køretøjet, når dugen er beskadiget eller har revner, selv om markisen er lukket korrekt! Markisearmene holdes af dugen. Hvis dugen rives over under kørslen, køres markisen pludseligt ud. Det kan medføre alvorlige kvæstelser. Sørg for at sikre markisen, så den ikke kan køre ud pludseligt og uventet under kørslen.
- Åbn **ikke** markisen under kørslenw.
- Åbn **ikke** markisen ved kraftig vind eller i snevejr.

- Kør markisen ind, hvis der forventes kraftig vind, kraftig regn eller snevejr.
- Sørg for, at der ikke samler sig vand eller sne på dugen. Ellers kan markisen blive beskadiget, eller markisearmene kan brække af og forårsage alvorlige kvæstelser eller død.
- Nærm dig ikke markisen,
 - når den blev efterladt åben under kraftig vind,
 - når der har dannet sig vandpytter på den,
 - når der har samlet sig sne,
 - når der befinder sig meget grov smuds på markisens dug.Markisen kan bevæge sig uventet, blive ustabil og bøjes og brække af.
- Lad ikke den udkørte markise være uden opsyn. Kør markisen ind, før du forlader pladsen.
- Sørg for afstand til markisen, når der grilles med åben ild. Dugen kan blive beskadiget af varmen eller bryde i brand.
- Dette apparat kan anvendes af børn over 8 år og derudover af personer med begrænsede fysiske, sans- eller mentale evner eller uden erfaring eller viden, hvis de er under opsyn eller blev instrueret i sikker brug af apparatet og forstår farerne, der følger heraf.
- Børn bør være under opsyn for at sikre, at de ikke leger med apparatet.



VIGTIGT!

- Stil autocamperen eller campingvognen, så der ikke kan komme snavs (kviste, blade eller lignende) på dugen.
- Markisens dug må ikke hænge ned ved kanterne, men skal altid være stram. Hvis dugen hænger ned, kan den skure mod armene og blive beskadiget.
Ved lange markiser må dugen hænge ned i midten.
- Kør kun markisen ind, når der ikke ligger snavs (kviste, blade eller lignende) på dugen. Ellers kan markisen blive beskadiget, når den køres ind.
- Hold markisen fri for smuds for at forhindre afskrabninger, pletter og skimmel.
- Kør kun markisen ind i våd tilstand af sikkerhedsmæssige årsager. Kør den ud igen, så snart det er muligt. I modsat fald kan der dannes skimmel eller pletter, eller farven kan blegne.

- Bøj aldrig en markisearm eller afskærmningen ned for at lade vand løbe af markisen. Derved kan markisen blive bøjet, og dens funktion reduceres.
- Hæng ikke genstande på markisen, hverken på den forreste afskærmning eller på markisearmene.
- Anvend ikke sprays (f.eks. insektspray, hårspray) i nærheden af markisen. Derved bliver dugen snavset, eller dugens afperlende effekt kan gå tabt.
- Hvis der ikke er tilstrækkeligt frirum over døren, når markisen er monteret, skal døren forblive lukket, når den køres ind eller ud, så døren ikke kommer i kontakt med armene eller frontlisten. Den påkrævede frirum afhænger af dørens konstruktionstype (dørbredde, dreje- eller skydedør) samt den indstillede hældningsvinkel for markisen.

3 Leveringsomfang

Antal	Betegnelse
1	Markise
1	Betjeningsvejledning
1	Monteringsvejledning

4 Tilbehør

Kan fås som tilbehør (ikke indeholdt i leveringsomfanget):

Betegnelse	Artikelnummer
Dometic Light LK120 Lysdiodebelysning med fjernbetjening til montering på markisearmene	9106504018
Tie Down Kit Remme til at spænde markisen	9103104000

5 Korrekt brug

Markiserne PerfectWall PW1000 og PW1500 er egnet til montering på autocampere eller campingvogne.

Markiserne må ikke anvendes under kørslen.

6 Teknisk beskrivelse

PerfectWall PW1000 og PW1500 er markiser, der kan køres ind og ud ved hjælp af et håndsving.

Markisen PerfectWall PW1500 kan som option også køres ind og ud med en 12 V-motor.

Markiserne sikres med støtter på køretøjets væg eller på jorden.

7 Betjening af markisen

Læs også sikkerhedshenvisningerne i kapitlet „Sikkerhedshenvisninger“ på side 106!

7.1 Henvisninger vedr. placering af køretøjet



VIGTIGT!

- Stil køretøjet, så der ikke kan komme snavs (kviste, blade eller lignende) på dugen.
- Hold markisen fri for smuds for at forhindre afskrabninger, pletter og skimmel.

7.2 Udkøring af markisen

Udkøring af markisen med håndsving

**ADVARSEL! Fare for kvæstelser!**

Hold tilstrækkelig afstand til genstande og andre køretøjer. Når der køres ud, skal der hele vejen rundt være en minimumafstand til andre genstande eller køretøjer på 40 cm.

- Lad håndsvinget gå i indgreb i markisens holder (fig. **1**, side 2).
- Drej håndsvinget, indtil markisen er kørt ca. 1,5 m ud (fig. **2**, side 2).
- Skub den højre støtte i den forreste afskærmning fuldstændigt sammen, så du kan bevæge den frit (fig. **4**, side 3).
- Drej den højre støtte til side (fig. **4**, side 3).
- Klap den højre støtte ned, og stil den på jorden (fig. **5**, side 4).
- Indstil støtten på den ønskede højde (fig. **6**, side 4).
- Klap støttens håndtag op for at fastgøre støtten (fig. **7**, side 4).
- Køb den anden støtte ud på samme måde.
- Drej håndsvinget, indtil markisen er kørt ud til den ønskede stilling. Stil igen støtterne lodret for hver 30 cm under den forreste afskærmning, så markisen altid holdes sikkert.
- Drej håndsvinget ca. en 1/4 omdrejning tilbage, så dugen strammes.

**VIGTIGT! Fare for beskadigelse!**

Markisens dug må ikke hænge ned ved kanterne, men skal altid være stram. Hvis dugen hænger ned, kan den skure mod armene og blive beskadiget.

Ved lange markiser må dugen hænge ned i midten.

- Tag håndsvinget ud af markisens holder.

Udkøring af markisen med 12 V-motor (kun PW1500)**ADVARSEL! Fare for kvæstelser!**

Hold tilstrækkelig afstand til genstande og andre køretøjer. Når der køres ud, skal der hele vejen rundt være en minimumafstand til andre genstande eller køretøjer på 40 cm.

- ▶ Tryk på 12 V-motorens kontakt, indtil markisen er kørt ca. 1,5 m ud (fig. **3**, side 3).
- ▶ Skub den højre støtte i den forreste afskærmning fuldstændigt sammen, så du kan bevæge den frit (fig. **4**, side 3).
- ▶ Drej den højre støtte til side (fig. **4**, side 3).
- ▶ Klap den højre støtte ned, og stil den på jorden (fig. **5**, side 4).
- ▶ Indstil støtten på den ønskede højde (fig. **6**, side 4).
- ▶ Klap støttens håndtag op for at fastgøre støtten (fig. **7**, side 4).
- ▶ Kø den anden støtte ud på samme måde.
- ▶ Tryk på 12 V-motorens kontakt, indtil markisen er kørt ud til den ønskede stilling. Stil igen støtterne lodret for hver 30 cm under den forreste afskærmning, så markisen altid holdes sikkert.
- ▶ Tryk på 12 V-motorens kontakt for at køre markisen så langt ind, at dugen er spændt.

**VIGTIGT! Fare for beskadigelse!**

Markisens dug må ikke hænge ned ved kanterne, men skal altid være stram. Hvis dugen hænger ned, kan den skure mod armene og blive beskadiget.

Ved lange markiser må dugen hænge ned i midten.

Opstilling af støtten på jorden



ADVARSEL! Fare for kvæstelser

- Stil støtten udelukkende på fast undergrund.
- Sørg for at sikre støtten mod at glide væk.

- Stil støtten lodret under den forreste afskærmning.
- Sørg for at sikre støtten med pløkker (fig. **8**, side 4).
- Indstil en støtte lidt lavere, så den forreste afskærmning hænger lidt skråt. Så kan let regn løbe direkte af (fig. **9**, side 5).

Fastgørelse af støtten på køretøjet

Du kan fastgøre markisen direkte på dit køretøj, når låsene for støtterne har monteret.

- Skub låsens afdækning op (fig. **10**, side 5).
- Sæt støtten ind i låsen (fig. **10**, side 5).
- Skub låsens afdækning ned (fig. **10**, side 5).
- Indstil en støtte lidt lavere, så den forreste afskærmning hænger lidt skråt. Så kan let regn løbe direkte af (fig. **11**, side 5).

Montering af spændestangen

Ved markiser med en længde på 4 m eller mere skal der fastgøres en spændestang i midten af markisen. Derved forhindres det, at markisen hænger ned.

- Skub spændestangen sammen (fig. **12**, side 6).
- Fastgør den øverste ende af spændestangen i holdeanordningen på huset (fig. **12**, side 6).
- Skub den anden ende af spændestangen i holdeanordningen i den forreste afskærmning (fig. **12**, side 6).

7.3 Indkøring af markisen



VIGTIGT!

- Kør kun markisen ind, når der ikke ligger snavs (kviste, blade eller lignende) på dugen. Ellers kan markisen blive beskadiget, når den køres ind.
- Hold markisen fri for smuds for at forhindre afskrabninger, pletter og skimmel.
- Sørg for, at grene eller andre genstande ikke kommer i klemme, når markisen køres ind.

- Fjern snavs (kviste, blade og lignende), der ligger på dugen.
- Løs støtternes fastgørelse (plækker eller lås på køretøjet).

Indkøring af markisen med håndsving

- Fastgør den øverste ende af håndsvinget i markisens holder.
- Drej håndsvinget, indtil markisen er kørt kun ca. 1,5 m ud. Stil igen støtterne lodret for hver 30 cm under den forreste afskærmning, så markisen altid holdes sikkert.
- Klap den højre støttes håndtag ned for at løsne støtten.
- Skub støtten fuldstændigt sammen.
- Klap den højre støtte op.
- Drej den højre støtte ind i den forreste afskærmning.
- Skub den nederste del af den højre støtte ind i den forreste afskærmnings lås.
- Kør den anden støtte ind på samme måde.
- Drej håndsvinget, indtil markisen er kørt helt ind.
- Kontrollér, at markisen er kørt helt ind, før du kører. Den forreste afskærmning skal ligge tæt op mod huset.
- Tag håndsvinget ud af markisens holder.



VIGTIGT! Fare for beskadigelse!

Hvis markisen blev kørt ind i våd tilstand, skal du køre den ud igen ved næste lejlighed og lade dugen tørre. Hvis den våde dug er rullet sammen i længere tid, bliver den jordslået, og farverne kan falme.

Indkøring af markisen med 12 V-motor (kun PW1500)

- ▶ Tryk på 12 V-motorens kontakt, indtil markisen stadig er kørt ca. 1,5 m ud. Stil igen støtterne lodret for hver 30 cm under den forreste afskærmning, så markisen altid holdes sikkert.
- ▶ Klap den højre støttes håndtag ned for at løsne støtten.
- ▶ Skub støtten fuldstændigt sammen.
- ▶ Klap den højre støtte op.
- ▶ Drej den højre støtte ind i den forreste afskærmning.
- ▶ Skub den nederste del af den højre støtte ind i den forreste afskærmnings lås.
- ▶ Kør den anden støtte ind på samme måde.
- ▶ Tryk på 12 V-motorens kontakt, indtil markisen er kørt fuldstændigt ind.
- ▶ Kontrollér, at markisen er kørt helt ind, før du kører. Den forreste afskærmning skal ligge tæt op mod huset.



VIGTIGT! Fare for beskadigelse!

Hvis markisen blev kørt ind i våd tilstand, skal du køre den ud igen ved næste lejlighed og lade dugen tørre. Hvis den våde dug er rullet sammen i længere tid, bliver den jordslået, og farverne kan falme.

7.4 Indstilling af 12 V-motoren (option)



BEMÆRK

12 V-motoren er formonteret i dugakslen.

Hvis markisen ikke længere lukkes eller åbnes fuldstændigt, skal du indstille 12 V-motoren (fig. 13, side 6).

8 Rengøring og vedligeholdelse

8.1 Rengøring



VIGTIGT! Fare for beskadigelse!

- Rengør **aldrig** markisen med en højtryksrenser.
- Anvend ikke skrabe rengøringsmidler eller hårde genstande ved rengøringen, da de kan beskadige produktet.

- Fjern al smuds (grene, blade eller lignende), der ligger på dugen, for at undgå afskrabninger, pletter og skimmel. Derudover kan markisen beskadiges, når den køres ind.
- Rengør markisens dug regelmæssigt for at fjerne støv og snavs:
 - Anvend dertil vand med 30 g opvaskemiddel og 30 g blegemiddel i forhold til 10 l vand.
 - Indsæb dugen dermed, og lad rengøringsvæsken virke i fem minutter.
 - Skyl grundigt med rent vand.
Sørg for, at rengøringsvæsken med blegemidlet er vasket helt af. I modsat kan dugen blive beskadiget.
 - Lad dugen tørre.



BEMÆRK

Producenten anbefaler:

- Anvend Clean&Care markise-rengøringsmiddel (art.nr. 9103501116, fås hos din servicepartner) for at rengøre dugen.

8.2 Smøring

- Smør efter behov markisens led med paraffinvoks, teflon- eller siliconeolie.

8.3 Kontrol

**ADVARSEL!**

Anvend ikke markisen, når indstillinger eller reparationer er nødvendig. Kontakt servicepartnern i det pågældende land (adresser, se vejledningens bagside), hvis du konstaterer skader.

- Undersøg regelmæssigt markisen for uligevægt og slid samt for beskadigelser på kritiske dele.
- Kontrollér regelmæssigt markisen:
 - Er dugen ubeskadiget?
 - Er armene og den forreste afskærmning ubeskadigede og uden slidspor?
 - Lukker markisen korrekt?

8.4 Efterspændning af skulderleddenes skruer

Skruerne på skulderleddet skal efterspændes efter de første belastninger:

- efter den første ferie med brug af markisen
- efter 20 000 km kørt km eller seks måneder efter monteringen af markisen (afhængigt af, hvad der indtræder først)

Desuden skal skruerne på skulderleddet kontrolleres i forbindelse med den regelmæssige inspektion af køretøjet.

Kontakt en servicepartner i forbindelse med efterspændingen af skruerne.

Anvisning i forbindelse med service (fig. 14, side 6)

**VIGTIGT!**

Markisearmene skal være uden belastning, så skruernes tilspændingsmoment ikke er forkert.

- Løft frontlisten lidt, så leddene er uden belastning.
- Efterspænd skruerne med 15 – 25 Nm.

8.5 Reparation af små huller i dugen

Små huller i dugen eller steder, hvor belægningen løsner sig, kan du selv reparere:

- ▶ Gnid lidt flydende vinylplaster (art.nr. 9103104018, kan bestilles hos din servicepartner) omkring det beskadigede sted med en bomuldsklud.
- ✓ Det flydende vinylplaster opløser belægningen lidt. Belægningen lukker hullet, når den tørrer.
- ▶ Vent, indtil stedet er tørt, før du igen kører markisen ind.

9 Garanti

Den lovbestemte garantiperiode gælder. Hvis produktet er defekt, skal du kontakte din forhandler eller producentens afdeling i dit land (adresser, se vejledningens bagside).

Ved reparation eller krav om garanti skal du medsende følgende bilag:

- En kopi af regningen med købsdato
- En reklamationsgrund eller en fejlbeskrivelse

10 Bortskaffelse

- ▶ Bortskaf så vidt muligt emballagen sammen med det tilsvarende genbrugsaffald.




Hvis du tager produktet endegyldigt ud af drift, skal du kontakte det nærmeste recyclingcenter eller din faghandel for at få de pågældende forskrifter om bortskaffelse.

11 Tekniske data

PerfectWall PW1000					
Bredde:	2,6 m	3 m	3,5 m	4 m	4,5 m
Udtræk:	2 m	2,5 m			
Vægt:	18,6 kg	21 kg	24 kg	27 kg	30 kg

PerfectWall PW1500				
Bredde:	1,5 m	2,6 m	3 m	3,5 m
Udtræk:	1 m	2 m	2,5 m	2,5 m / 2,75 m
Vægt:	12 kg	18 kg	21 kg	24 kg

PerfectWall PW1500				
Bredde:	4 m	4,5 m	5 m	5,5 m
Udtræk:	2,5 m / 2,75 m			
Vægt:	27 kg	30 kg	33 kg	36 kg

12 V-motor	
Tilslutningsspænding:	12 V $\overline{=}$ (11 – 15 V)
Strømstyrke:	7 A
Udgangseffekt:	84 W
Drejemoment:	35 Nm
Godkendelse/certifikat:	

**VARNING!**

- Bruksanvisningen måste läsas och förstås före användning, rengöring och underhåll.
- Produkten måste monteras av en fackman. Vid felaktig montering föreligger risk för svåra personskador. Egenhändigt utförda modifieringar av produkten är förenat med betydande fara och kan leda till allvariga personskador eller skador på produkten.
- Bruksanvisningen måste förvaras vid produkten. Innehavaren måste läsa den noggrant.

Innehållsförteckning

1	Information om bruksanvisningen	120
2	Säkerhetsanvisningar	120
3	Leveransomfattning.	122
4	Tillbehör	122
5	Ändamålsenlig användning	123
6	Teknisk beskrivning.	123
7	Använda markisen.	123
8	Rengöring och skötsel	129
9	Garanti	131
10	Avfallshantering.	131
11	Tekniska data.	132

1 Information om bruksanvisningen

**VARNING!**

Observera: Beaktas anvisningen ej kan det leda till dödsfara eller svåra skador.

**OBSERVERA!**

Om anvisningarna inte beaktas kan det leda till materialskador och produktens funktion kan påverkas negativt.

**ANVISNING**

Kompletterande information om användning av produkten.

2 Säkerhetsanvisningar

Beakta säkerhetsanvisningarna och riktlinjerna från fordonstillverkaren samt reglerna för bilmekaniska arbeten!

Tillverkaren övertar inget ansvar för skador i följande fall:

- skador på produkten, orsakade av mekanisk påverkan eller överspänning
- ändringar som utförts utan uttryckligt medgivande från tillverkaren
- ej ändamålsenlig användning

Beakta följande varningar:

**VARNING!**

- Kontrollera att markisen är helt inkörd innan färd påbörjas. Kör aldrig fordonet när markisen är utkörd.
- Kör aldrig med fixerad vev. Ta bort veven innan färd påbörjas.
- Kör inte fordonet om duken är skadad eller har en reva, även om markisen är helt inkörd! Markisarmarna hålls fast av duken. Om duken rivs av under färd kan armarna åka ut. Det kan orsaka allvarliga skador. Fixera markisen så att den inte plötsligt eller oväntat åker ut under färd.
- Öppna **inte** markisen under färd.
- Öppna **inte** markisen vid kraftig blåst eller snöfall.
- Kör in markisen om det väntas kraftig blåst, ihållande regn eller snöfall.

- Se till att inte vatten eller snö samlas på duken. Annars kan markisen skadas eller så kan markisarmarna brytas av och på så sätt kan allvarliga skador eller dödsfall orsakas.
- Kom inte för nära markisen:
 - om den lämnats öppen vid stark blåst
 - om det bildats vattenpölar på den
 - om snö har hopats på den
 - om markisduken är kraftigt nedsmutsad.Annars kan markisen oväntat börja röra på sig, bli ostadig och deformeras eller gå av.
- Lämna inte den utkörda markisen utan uppsikt. Kör in markisen innan du lämnar uppställningsplatsen.
- Grilla inte med öppen eld i närheten av markisen. Duken kan skadas av hettan eller fatta eld.
- Denna apparat kan användas av barn från 8 år samt av personer med fysiska, sensoriska eller mentala funktionshinder och personer som saknar erfarenhet och kunskap under förutsättning att de använder den under uppsikt eller fått instruktioner om hur apparaten används på ett säkert sätt och känner till ev. risker i samband med användningen.
- Barn bör hållas under uppsikt, så att de inte leker med apparaten.

**OBSERVERA!**

- Ställ husbilen eller husvagnen på en plats där inte smuts (kvistar, löv eller liknande) kan falla ner på duken.
- Markisens duk får inte hänga ner vid kanterna, den måste vara spänd. Om markisen hänger ned kan den skava mot armarna och skadas. På långa markiser måste duken hänga ner i mitten.
- Kör inte in markisen om det ligger smuts på duken (kvistar, löv eller liknande). Markisen kan skadas om den körs in med smuts.
- Se till att det inte hamnar smuts på markisen så att det inte uppstår skav, fläckar eller mögel.
- Om markisen är våt får du bara köra in den av säkerhetsskäl. Kör sedan ut den så fort som möjligt igen. Annars kan det bildas mögel eller fläckar på markisen eller färgen kan blekna.
- Böj aldrig ner en markisarm eller kappan för att ta bort vatten på markisen. Markisen kan böjas och orsaka skador på funktionen.
- Häng inga föremål på markisen, varken på frontkappan eller markisarmarna.

- Använd inga sprayer (t.ex. insektsspray, hårspray) i närheten av markisen. Duken kan smutsas ner eller så kan impregneringen skadas.
- Om det inte finns tillräckligt mycket fritt utrymme över dörren när markisen har monterats, ska dörren vara stängd när markisen körs ut och in. På så sätt undviker man att armarna eller frontlisten vidrör dörren.
Det fria utrymmet varierar beroende på dörrens konstruktion (dörrens bredd, svängdörr eller skjutdörr) och markisens inställda lutningsvinkel.

3 Leveransomfattning

Antal	Beteckning
1	Markis
1	Bruksanvisning
1	Monteringsanvisning

4 Tillbehör

Följande tillbehör finns tillgängliga (ingår inte i leveransen):

Beteckning	Artikelnummer
Dometic Light LK120 LED-belysning med fjärrkontroll för montering på markisarmarna	9106504018
Tie Down Kit Remmar för fastspänning av markisen	9103104000

5 Ändamålsenlig användning

Markiserna PerfectWall PW1000 och PW1500 ska monteras på husbilar eller husvagnar.

Markiserna får endast användas när husbilen/husvagnen står still.

6 Teknisk beskrivning

Markiserna PerfectWall PW1000 och PW1500 kan köras in och ut med hjälp av en handvev.

Markisen PerfectWall PW1500 kan även köras ut och in med en 12 V-motor (tillval).

Markiserna fixeras i fordonsväggen eller i golvet med hjälp av stöd.

7 Använda markisen

Observera även säkerhetsanvisningarna i kapitel "Säkerhetsanvisningar" på sidan 120!

7.1 Information om fordonets uppställningsplats



OBSERVERA!

- Ställ fordonet på en plats där inte smuts (kvistar, löv eller liknande) kan falla ner på duken.
- Se till att det inte hamnar smuts på markisen så att det inte uppstår skav, fläckar eller mögel.

7.2 Köra ut markisen

Köra ut markis med handvev

**VARNING! Risk för skador!**

Lämna tillräckligt stort avstånd till föremål eller andra fordon. Efter att markisen har körts ut måste det vara minst 40 cm avstånd till andra föremål eller fordon runt om markisen.

- Haka fast handveven i markisens hållare (bild **1**, sida 2).
- Veva handveven tills markisen har körts ut till cirka 1,5 m (bild **2**, sida 2).
- Skjut ihop stödet i höger frontkappa så att du kan röra det fritt (bild **4**, sida 3).
- Vrid det högra stödet åt sidan (bild **4**, sida 3).
- Fäll ned det högra stödet och ställ det på marken (bild **5**, sida 4).
- Ställ in stödet i önskad höjd (bild **6**, sida 4).
- När du vill fixera stödet fäller du upp spaken till stöden (bild **7**, sida 4).
- Kör ut det andra stödet på exakt samma sätt.
- Veva handveven tills markisen har körts ut till önskad längd. Placera stöden var 30:e centimeter lodrätt under det främre solskyddet så att markisen under alla omständigheter sitter säkert.
- Veva tillbaka handveven cirka 1/4 varv så att duken spänns.

**OBSERVERA! Risk för skador!**

Markisens duk får inte hänga ner vid kanterna, den måste vara spänd. Om markisen hänger ned kan den skava mot armarna och skadas. På långa markiser måste duken hänga ner i mitten.

- Lösgör handveven från markisens hållare.

Köra ut markis med 12 V-motor (endast PW1500)**VARNING! Risk för skador!**

Lämna tillräckligt stort avstånd till föremål eller andra fordon. Efter att markisen har körts ut måste det vara minst 40 cm avstånd till andra föremål eller fordon runt om markisen.

- Tryck på 12 V-motorns strömbrytare tills markisen har körts ut ca 1,5 m (bild **3**, sida 3).
- Skjut ihop stödet i höger frontkappa så att du kan röra det fritt (bild **4**, sida 3).
- Vrid det högra stödet åt sidan (bild **4**, sida 3).
- Fäll ned det högra stödet och ställ det på marken (bild **5**, sida 4).
- Ställ in stödet i önskad höjd (bild **6**, sida 4).
- När du vill fixera stödet faller du upp spaken till stöden (bild **7**, sida 4).
- Kör ut det andra stödet på exakt samma sätt.
- Tryck på 12 V-motorns strömbrytare tills markisen har körts ut till önskat läge. Placera stöden var 30:e centimeter lodrätt under det främre solskyddet så att markisen under alla omständigheter sitter säkert.
- Tryck på 12 V-motorns strömbrytare för att fälla in markisen tills duken är spänd.

**OBSERVERA! Risk för skador!**

Markisens duk får inte hänga ner vid kanterna, den måste vara spänd. Om markisen hänger ned kan den skava mot armarna och skadas. På långa markiser måste duken hänga ner i mitten.

Ställ upp stödet på golvet



VARNING! Risk för skador

- Stödet får bara ställas upp på fast underlag.
- Säkra stödet så att det inte glider iväg.

- Placera stödet i lodrätt läge under frontkappan.
- Fixera stödet med pinnar (bild **8**, sida 4).
- Placera ett av stöden lite djupare så att frontkappan hänger lite på sned. Det gör att lätt regn rinner av (bild **9**, sida 5).

Fästa stöd i fordonet

Markisen kan fästas direkt i fordonet när du har monterat stödlåsen.

- Flytta låsskyddet uppåt (bild **10**, sida 5).
- Fäst stödet i låset (bild **10**, sida 5).
- Flytta låsskyddet nedåt (bild **10**, sida 5).
- Placera ett av stöden lite djupare så att frontkappan hänger lite på sned. Det gör att lätt regn rinner av (bild **11**, sida 5).

Montera spännstång

På markiser som är 4 m långa eller längre måste en spännstång sättas fast i markisens mitt. På så sätt förhindrar man att markisen bågnar.

- Skjut ihop spännstången (bild **12**, sida 6).
- Haka i spännstångens övre ände i höljets hållare (bild **12**, sida 6).
- Skjut in spännstångens andra ände i hållaren som sitter i frontkappan (bild **12**, sida 6).

7.3 Köra in markisen



OBSERVERA!

- Kör inte in markisen om det ligger smuts på duken (kvistar, löv eller liknande). Markisen kan skadas om den körs in med smuts.
- Se till att det inte hamnar smuts på markisen så att det inte uppstår skav, fläckar eller mögel.
- Se till att inga grenar eller andra föremål kläms fast när markisen fälls in.

- Ta bort all smuts (kvistar, löv eller liknande) som ligger på duken.
- Lossa på stödets fästanelordningar (pinnar eller lås på fordonet).

Fälla in markisen med handvev

- Haka i handvevens övre ände i markisens hållare.
- Veva handveven tills markisen har körts ut till cirka 1,5 m. Placera stöden var 30 cm lodrätt under det främre solskyddet så att markisen under alla omständigheter sitter säkert.
- När du vill lossa på stödet fäller du ned spaken till det högra stödet.
- Skjut ihop stödet helt och hållet.
- Fäll upp det högra stödet.
- Vrid det högra stödet i frontkappan.
- Skjut in det högra stödets underdel i låset i frontkappan.
- Kör in det andra stödet på exakt samma sätt.
- Vrid handveven tills markisen är helt inkörd.
- Kontrollera att markisen är helt inkörd innan färd påbörjas. Frontkappan måste ligga tätt mot höljet.
- Lösgör handveven från markisens hållare.



OBSERVERA! Risk för skador!

Om markisen var blöt när den kördes in ska den köras ut så snabbt som möjligt så att duken kan torka. Om den blöta duken inte körs ut kan den mögla eller så kan färgen blekas.

Köra ut markisen med 12 V-motor (endast PW1500)

- Tryck på 12 V-motorns strömbrytare tills markisen har körts ut endast ca 1,5 m. Placera stöden var 30 cm lodrätt under det främre solskyddet så att markisen under alla omständigheter sitter säkert.
- När du vill lossa på stödet fäller du ned spaken till det högra stödet.
- Skjut ihop stödet helt och hållet.
- Fäll upp det högra stödet.
- Vrid det högra stödet i frontkappan.
- Skjut in det högra stödets underdel i låset i frontkappan.
- Kör in det andra stödet på exakt samma sätt.
- Tryck på 12 V-motorns strömbrytare tills markisen har fällts in helt.
- Kontrollera att markisen är helt inkörd innan färd påbörjas. Frontkappan måste ligga tätt mot höljet.



OBSERVERA! Risk för skador!

Om markisen var blöt när den kördes in ska den köras ut så snabbt som möjligt så att duken kan torka. Om den blöta duken inte körs ut kan den mögla eller så kan färgen blekas.

7.4 Ställ a in 12 V-motor (tillval)



ANVISNING

12 V-motorn är förmonterad i dukens axel.

Ställ in 12 V-motorn (bild **13**, sida 6) när markisen inte längre öppnas eller stängs fullständigt.

8 Rengöring och skötsel

8.1 Rengöring



OBSERVERA! Risk för skador!

- Använd **aldrig** högtrycktvätt för att rengöra markisen.
- Använd inga starka rengöringsmedel eller hårda föremål vid rengöring, det kan skada produkten.

- Ta bort all slags smuts (kvistar, löv eller liknande) som ligger på duken så att det inte uppstår skav, fläckar eller mögel. Dessutom kan markisen skadas när den körs in.
- Rengör markisens duk regelbundet för att ta bort damm och smuts:
 - Använd vatten med 30 g diskmedel och 30 g blekmedel till 10 liter vatten.
 - Gnugga in rengöringsvätskan på duken och låt den verka i fem minuter.
 - Spola ordentligt med rent vatten.
Se till att rengöringsvätskan med blekmedlet är helt borttvättad. Annars kan duken skadas.
 - Låt duken torka.



ANVISNING

Tillverkaren rekommenderar:

- Använd Clean&Care rengöringsmedel för markiser för rengöring av duken (art.nr 9103501116, erhålls från din servicepartner).

8.2 Smörja

- Smörj vid behov markisens leder med paraffinvax, teflon- eller silikonolja.

8.3 Kontrollera



VARNING!

Markisen får inte användas när apparaten behöver ställas in eller repareras.

Om du hittar några skador, kontakta din servicepartner (adresser hittar du på bruksanvisningens baksida).

- Kontrollera med jämna mellanrum om markisen är i obalans, uppvisar slitage eller är skadad på kritiska platser.
- Kontrollera markisen regelbundet:
 - Är duken oskadad?
 - Är armarna och frontkappan oskadade och slitagefria?
 - Stängs markisen på rätt sätt?

8.4 Efterdra skruvarna i länkarna

Skruvarna på länken måste efterdras efter den första belastningen:

- efter den första semestern när markisen använts
- efter 20000 km körning eller sex månader efter montering av markisen (beroende på vad som inträffar först)

Dessutom ska skruvarna på länken kontrolleras vid den regelbundna fordonsbesiktningen.

Kontakta din servicepartner när skruvarna ska efterdras.

Anvisningar för service (bild 14, sida 6)



OBSERVERA!

Markisens armar får inte utsättas för någon belastning, det leder till felaktigt åtdragningsmoment för skruvarna.

- Lyft frontlisten lite så att länkarna inte belastas.
- Dra åt skruvarna med 15 – 25 Nm.

8.5 Laga små hål i duken

Små hål i duken eller skador på beläggningen kan du laga själv:

- ▶ Gnid in lite flytande vinyl med en bomullstrasa runt det skadade stället (artikel-nr: 9103104018, finns hos din servicepartner).
- ✓ Den flytande vinylen löser upp beläggningen. Beläggningen stänger hålet när den torkar.
- ▶ Vänta tills platsen är torr innan du kör in markisen igen.

9 Garanti

Den lagstadgade garantitiden gäller. Om produkten är defekt: kontakta återförsäljaren eller tillverkarens kontor i ditt land (adresser, se bruksanvisningens baksida).

Vid reparations- resp. garantiärenden ska följande skickas med:

- en kopia på fakturan med inköpsdatum,
- en reklameringsbeskrivning/felbeskrivning.

10 Avfallshantering

- ▶ Lämna om möjligt förpackningsmaterialet till återvinning.




När produkten slutgiltigt tas ur bruk: informera dig om gällande bestämmelser hos närmaste återvinningscentral eller hos återförsäljaren.

11 Tekniska data

PerfectWall PW1000					
Bredd:	2,6 m	3 m	3,5 m	4 m	4,5 m
Utfall:	2 m	2,5 m			
Vikt:	18,6 kg	21 kg	24 kg	27 kg	30 kg

PerfectWall PW1500				
Bredd:	1,5 m	2,6 m	3 m	3,5 m
Utfall:	1 m	2 m	2,5 m	2,5 m/2,75 m
Vikt:	12 kg	18 kg	21 kg	24 kg

PerfectWall PW1500				
Bredd:	4 m	4,5 m	5 m	5,5 m
Utfall:	2,5 m/2,75 m			
Vikt:	27 kg	30 kg	33 kg	36 kg

12 V-motor	
Anslutningsspänning:	12 V $\overline{=}$ (11 – 15 V)
Strömstyrka:	7 A
Uteffekt:	84 W
Vridmoment:	35 Nm
Provning/certifikat:	

**ADVARSEL!**

- Før bruk, rengjøring og vedlikehold må du lese og forstå denne veiledningen.
- Dette produktet må monteres av en fagperson. Feil montering kan føre til alvorlige personskader. Ombygginger på produktet kan være svært farlig og føre til alvorlige personskader eller til skader på apparatet.
- Denne veiledningen skal oppbevares sammen med produktet. Eieren må lese nøye gjennom den.

Innholdsfortegnelse

1	Tips for bruk av bruksanvisningen	134
2	Sikkerhetsregler	134
3	Leveringsomfang.	136
4	Tilbehør	136
5	Tiltenkt bruk.	137
6	Teknisk beskrivelse	137
7	Betjene markisen.	137
8	Rengjøring og stell	143
9	Garanti	145
10	Avfallsbehandling	145
11	Tekniske data.	146

1 Tips for bruk av bruksanvisningen

**ADVARSEL!**

Sikkerhetsregel: Hvis man ikke overholder denne regelen, kan det føre til død eller alvorlig skade.

**PASS PÅ!**

Hvis man ikke overholder denne regelen, kan det føre til materielle skader og skade funksjonen til produktet.

**MERK**

Utfyllende informasjon om bruk av produktet.

2 Sikkerhetsregler

Følg rådene og betingelsene som kjøretøyprodusenten og motorvognprodusenten har bestemt!

Produsenten tar i følgende tilfeller intet ansvar for skader:

- Skader på produktet på grunn av mekanisk påvirkning og overspenninger
- Endringer på produktet uten at det er gitt uttrykkelig godkjenning av produsenten
- Bruk til andre formål enn det som er beskrevet i veiledningen

Overhold disse advarslene:

**ADVARSEL!**

- Før turen starter, må du kontrollere om markisen er kjørt helt inn. Ikke sett kjøretøyet i bevegelse mens markisen er åpen.
- Kjør aldri med sveiven hengt inn. Ta av sveiven før du skal kjøre.
- Ikke kjør kjøretøyet hvis duken er skadet eller revet opp, selv om markisen er forskriftsmessig lukket! Markisearmene holdes på plass av duken. Hvis duken går i stykker under kjøring, farer markisen plutselig ut. Dette kan føre til alvorlige personskader. Sikre markisen slik at den ikke kan kjøres plutselig og uventet ut under kjøring.
- Markisen må **ikke** åpnes under kjøringen.
- **Ikke** åpne markisen når det er kraftig vind eller snør.
- Kjør inn markisen hvis det er forventet kraftig vind eller regn eller snø.

- Påse at det ikke det samler seg vann eller snø på duken. Ellers kan markisen bli skadet, eller markisearmene kan knekke og dermed føre til alvorlige personskader eller også dødsfall.
- Ikke opphold deg i nærheten av markisen
 - hvis den er blitt stående ute i kraftig vind
 - hvis det har dannet seg vanddammer på den
 - hvis det har samlet seg snø på den
 - hvis det er mye grov smuss på markiseduken
 Markisen kan bevege seg uventet, bli ustabil og bli bøyd eller knekke.
- Ikke la en utkjørt markise være uten oppsyn. Kjør inn markisen før du forlater oppholdsstedet ditt.
- Grilling med åpen ild må utføres i sikker avstand fra markisen. Duken kan bli ødelagt av varmen, eller den kan ta fyr.
- Dette apparatet kan brukes av barn fra 8 år og oppover, og av personer med nedsatte fysiske, sensoriske eller mentale evner eller manglende erfaring og kunnskap, når de er under oppsikt eller har fått opplæring i sikker bruk av apparatet og hvilke farer som er forbundet med det.
- Barn skal være under tilsyn for å sikre at de ikke leker med apparatet.



PASS PÅ!

- Plasser bobilen eller campingvognen slik at det ikke kan komme smuss (greiner, løv eller lignende) på duken.
- Duken på markisen må ikke være slakk langs kantene, men må hele tiden være stram. Hvis duken er slakk, kan den gni borti armene og bli ødelagt.
På lange markiser kan duken henge ned i midten.
- Kjør inn markisen kun når det ikke er smuss på duken (greiner, løv e.l.). I motsatt fall kan markisen bli skadet når den kjøres inn.
- Hold markisen fri for smuss for å hindre slitasjeskader, flekker og muggdannelse.
- En våt markise kan kjøres inn tilstand kun av sikkerhetsmessige årsaker. Kjør den ut igjen så snart som mulig. I motsatt fall kan det danne seg mugg eller flekker, eller fargen kan blekne.
- Bøy aldri en markisearm eller veggen ned for å fjerne vannet på markisen. Dette kan føre til at markisen bøyer seg for mye, slik at funksjonen blir redusert.
- Ikke heng gjenstander på markisen, verken på frontveggen eller på markisearmene.

- Ikke bruk noen form for spray (f. eks. insektspray, hårspray) i nærheten av markisen. Duken blir tilsmusset eller impregneringen kan bli redusert.
- Hvis det ikke er tilstrekkelig klaring over døren etter at markisen er montert, må døren være lukket mens man kjører markisen inn og ut for å unngå at døren kommer i kontakt med armene eller frontlisten. Nødvendig klaring avhenger av dørens konstruksjonsmåte (dør-bredde, sving- eller skyvedør) og av innstilt hellingvinkel på markisen.

3 Leveringsomfang

Antall	Betegnelse
1	Markise
1	Bruksanvisning
1	Monteringsveiledning

4 Tilbehør

Fås som tilbehør (ikke inkludert i leveransen):

Beskrivelse	Artikkelnummer
Dometic Light LK120 LED-belysning med fjernkontroll for montering på markisearmene	9106504018
Tie Down Kit Remmer for stabilisering av markisen	9103104000

5 Tiltenkt bruk

Markisene PerfectWall PW1000 og PW1500 er egnet for montering på bobil eller campingvogn.

Markisene må kun benyttes mens kjøretøyet står stille.

6 Teknisk beskrivelse

PerfectWall PW1000 og PW1500 er markiser som kjøres ut og inn med en håndsveiv.

Markisen PerfectWall PW1500 kan alternativt også kjøres inn og ut med en 12 V-motor.

Markisene sikres med støtter på kjøretøyveggen eller på bakken.

7 Betjene markisen

Følg også sikkerhetsreglene i kapittel «Sikkerhetsregler» på side 134!

7.1 Anvisninger om plassering av kjøretøyet



PASS PÅ!

- Plasser kjøretøyet slik at det ikke kan komme smuss (greiner, løv eller lignende) på duken.
- Hold markisen fri for smuss for å hindre slitasjeskader, flekker og muggdannelse.

7.2 Kjøre ut markisen

Kjøre ut markisen med hånd sveiv

**ADVARSEL! Fare for skade!**

Ha tilstrekkelig avstand til gjenstander eller andre kjøretøy. Når markisen er kjørt ut, må det være en minimumsavstand på 40 cm til andre gjenstander eller kjøretøy.

- Sett hånd sveiven inn i festet på markisen (fig. **1**, side 2).
- Drei hånd sveiven til markisen er kjørt ut ca. 1,5 m (fig. **2**, side 2).
- Skyv den høyre støtten i frontveggen helt sammen slik at du kan bevege den fritt (fig. **4**, side 3).
- Drei den høyre støtten til siden (fig. **4**, side 3).
- Vipp den høyre støtten ned og bort og sett den ned på bakken (fig. **5**, side 4).
- Still inn støtten i ønsket høyde (fig. **6**, side 4).
- Vipp hendelen på støtten opp for å sette fast støtten (fig. **7**, side 4).
- Kjør den andre støtten ut på samme måte.
- Drei hånd sveiven til markisen er kjørt ut til ønsket posisjon. Plasser støttene loddrett og med 30 cm avstand under frontveggen slik at markisen holdes sikkert på plass.
- Drei hånd sveiven ca. en 1/4 omdreining tilbake, slik at duken strammes.

**PASS PÅ! Fare for skade!**

Duken på markisen må ikke være slakk langs kantene, men må hele tiden være stram. Hvis duken er slakk, kan den gni borti armene og bli ødelagt.

På lange markiser kan duken henge ned i midten.

- Ta hånd sveiven ut av festet på markisen.

Kjøre ut markisen med 12 V-motor (kun PW1500)**ADVARSEL! Fare for skade!**

Ha tilstrekkelig avstand til gjenstander eller andre kjøretøy. Når markisen er kjørt ut, må det være en minimumsavstand på 40 cm til andre gjenstander eller kjøretøy.

- Betjen bryteren til 12 V-motoren helt til markisen er kjørt ut ca 1,5 m (fig. **3**, side 3).
- Skyv den høyre støtten i frontveggen helt sammen slik at du kan bevege den fritt (fig. **4**, side 3).
- Drei den høyre støtten til siden (fig. **4**, side 3).
- Vipp den høyre støtten ned og bort og sett den ned på bakken (fig. **5**, side 4).
- Still inn støtten i ønsket høyde (fig. **6**, side 4).
- Vipp hendelen på støtten opp for å sette fast støtten (fig. **7**, side 4).
- Kjør den andre støtten ut på samme måte.
- Betjen bryteren til 12 V-motoren helt til markisen er kjørt ut til ønsket posisjon. Plasser støttene loddrett og med 30 cm avstand under frontveggen slik at markisen holdes sikkert på plass.
- Betjen bryteren til 12 V-motoren for å kjøre markisen inn helt til duken er strammet.

**PASS PÅ! Fare for skade!**

Duken på markisen må ikke være slakk langs kantene, men må hele tiden være stram. Hvis duken er slakk, kan den gni borti armene og bli ødelagt. På lange markiser kan duken henge ned i midten.

Plassere støttene på bakken



ADVARSEL! Fare for personskader

- Støtten skal kun plasseres på et fast underlag.
- Sikre støtten slik at de ikke kan gli.

- Plasser støtten loddrett under frontveggen.
- Sikre støtten med plugger (fig. **8**, side 4).
- Still inn den ene støtten litt lavere, slik at frontveggen henger litt på skrå. Da kan regnet enklere renne rett av (fig. **9**, side 5).

Feste støttene på kjøretøyet

Du kan feste markisen direkte på kjøretøyet hvis du har montert festene for støttene.

- Skyv opp dekslet på festet (fig. **10**, side 5).
- Sett støtten inn i festet (fig. **10**, side 5).
- Skyv ned dekslet på festet (fig. **10**, side 5).
- Still inn den ene støtten litt lavere, slik at frontveggen henger litt på skrå. Da kan regnet enklere renne rett av (fig. **11**, side 5).

Montere støttestang

På markiser som er 4 m eller lenger, må det festes en støttestang midt på markisen. Dette hindrer at markisen blir hengende ned på midten.

- Skyv sammen støttestangen (fig. **12**, side 6).
- Sett den øverste enden på støttestangen inn i festet på huset (fig. **12**, side 6).
- Skyv den andre enden på støttestangen inn i festet på frontveggen (fig. **12**, side 6).

7.3 Kjøre inn markisen



PASS PÅ!

- Kjøre inn markisen kun når det ikke er smuss på duken (greiner, løv e.l.). I motsatt fall kan markisen bli skadet når den kjøres inn
- Hold markisen fri for smuss for å hindre slitasjeskader, flekker og muggdannelse.
- Når markisen kjøres inn, må du påse at greiner eller andre gjenstander ikke kommer i klem.

- Fjern smuss (greiner, løv og lignende) som ligger på duken.
- Løsne festene på støttene (plugger eller fester på kjøretøyet).

Kjøre inn markisen med håndseiv

- Sett den øverste enden på håndseiven inn i festet på markisen.
- Drei håndseiven til markisen er kjørt ut ca. 1,5 m. Plasser støttene loddrett og med 30 cm avstand under frontveggen slik at markisen holdes sikkert på plass.
- Vipp hendelen på den høyre støtten ned for å løsne støtten.
- Skyv støtten helt sammen.
- Vipp den høyre støtten oppover.
- Drei den høyre støtten inn i frontveggen.
- Skyv den nederste delen på høyre støtte inn i festet på frontveggen.
- Kjøre inn den andre støtten på samme måte.
- Drei håndseiven til markisen er kjørt helt inn.
- Kontroller at markisen er kjørt helt inn før du kjører. Frontveggen må ligge helt inntil kapslingen.
- Ta håndseiven ut av festet på markisen.



PASS PÅ! Fare for skade!

Hvis markisen er blitt kjørt inn i våt tilstand, må du kjøre den ut igjen ved neste anledning, slik at duken kan tørke. Hvis den våte duken er rullet inn over lengre tid, vil det danne seg mugg på duken og fargen kan blekne.

Kjøre inn markisen med 12 V-motor (kun PW1500)

- Betjen bryteren til 12 V-motoren helt til markisen bare er kjørt ut ca. 1,5 m. Plasser støttene loddrett og med 30 cm avstand under frontveggen slik at markisen holdes sikkert på plass.
- Vipp hendelen på den høyre støtten ned for å løsne støtten.
- Skyv støtten helt sammen.
- Vipp den høyre støtten oppover.
- Drei den høyre støtten inn i frontveggen.
- Skyv den nederste delen på høyre støtte inn i festet på frontveggen.
- Kjør inn den andre støtten på samme måte.
- Betjen bryteren til 12 V-motoren helt til markisen er kjørt helt inn.
- Kontroller at markisen er kjørt helt inn før du kjører. Frontveggen må ligge helt inntil kapslingen.

**PASS PÅ! Fare for skade!**

Hvis markisen er blitt kjørt inn i våt tilstand, må du kjøre den ut igjen ved neste anledning, slik at duken kan tørke. Hvis den våte duken er rullet inn over lengre tid, vil det danne seg mugg på duken og fargen kan blekne.

7.4 Innstille 12 V-motoren (alternativ)**MERK**

12 V-motoren er formontert i dukrøret.

Hvis markisen ikke lenger lukker eller åpner seg helt, må du stille inn 12 V-motoren (fig. **13**, side 6).

8 Rengjøring og stell

8.1 Rengjøring



PASS PÅ! Fare for skade!

- Markisen må **aldri** rengjøres med høytrykksspyler.
- Bruk ikke slipende vaskemidler eller harde gjenstander til rengjøring, da det kan skade produktet.

- Fjern all smuss (greiner, løv eller lignende) som ligger på duken for å hindre slitasjeskader, flekker og muggdannelse. I tillegg kan markisen bli skadet når den kjøres inn.
- Rengjør duken på markisen regelmessig for å fjerne støv og smuss:
 - Bruk vann med 30 g oppvaskmiddel og 30 g blekemiddel til 10 l vann.
 - Påfør såpe på duken og la rengjøringsvæsken virke i fem minutter.
 - Skyll grundig med rent vann.
Påse at rengjøringsvæsken med blekemiddelet er blitt skylt helt bort. Ellers kan duken bli skadet.
 - La duken tørke.



MERK

Produsenten anbefaler:

- Bruk Clean&Care markise-rensemiddel til rengjøring av duken (art.nr. 9103501116, tilgjengelig hos din servicepartner).

8.2 Smøring

- Ved behov kan leddene på markisen smøres med en parafinvoks eller teflon- eller silikoneolje.

8.3 Kontroller



ADVARSEL!

Ikke bruk markisen når det må utføres innstillinger eller reparasjoner på den.

Hvis du oppdager skader, må du kontakte servicepartneren i respektive land (adresser finner du på baksiden av veiledningen).

- Undersøk markisen regelmessig med tanke på ubalanse og slitasje og skader på kritiske deler.
- Kontroller markisen regelmessig:
 - Er duken hel?
 - Er armene og frontveggen uten skader og uten tegn til slitasje?
 - Lukker markisen korrekt?

8.4 Trekk til skruene på skulderleddet

Skrueene på skulderleddet må trekkes til etter de første belastningene:

- etter den første ferien med bruk av markisen
- etter kjørt 20 000 km eller seks måneder etter montering av markisen (avhengig av hva som inntreffer først)

Dessuten skal skruene på skulderleddet kontrolleres ved den regelmessige kjøretøyinspeksjonen.

Kontakt din servicepartner for stramming av skruene.

Anvisning for service (fig. 14, side 6)



PASS PÅ!

Markisearmene må ikke belastes, slik at skruenes tiltrekkingsmoment ikke blir feil.

- Løft frontlisten litt slik at leddene er uten belastning.
- Trekk til skruene med 15 – 25 Nm.

8.5 Reparere små hull i duken

Små hull i duken eller steder der belegget løsner, kan du reparere selv:

- ▶ Bruk en bomullsklut og gni rundt det ødelagte stedet med litt flytende vinylplaster (art.nr. 9103104018, kan kjøpes hos din servicepartner).
- ✓ Det flytende vinylplasteret løsner belegget. Belegget lukker hullet når det tørker.
- ▶ Vent til stedet er blitt tørt før du kjører markisen inn igjen.

9 Garanti

Lovmessig garantitid gjelder. Hvis produktet skulle være defekt, kontakter du din faghandler eller produsentens filial i ditt land (du finner adressene på baksiden av veiledningen).

Ved henvendelser vedrørende reparasjon eller garanti, må du sende med følgende dokumentasjon:

- kopi av kvitteringen med kjøpsdato,
- årsak til reklamasjonen eller beskrivelse av feilen.

10 Avfallsbehandling

- ▶ Lever emballasje til resirkulering så langt det er mulig.




Når du tar produktet ut av drift for siste gang, må du sørge for å få informasjon om deponeringsforskrifter hos nærmeste resirkuleringsstasjon eller hos din faghandler.

11 Tekniske data

PerfectWall PW1000					
Bredde:	2,6 m	3 m	3,5 m	4 m	4,5 m
Uttrekk:	2 m	2,5 m			
Vekt:	18,6 kg	21 kg	24 kg	27 kg	30 kg

PerfectWall PW1500				
Bredde:	1,5 m	2,6 m	3 m	3,5 m
Uttrekk:	1 m	2 m	2,5 m	2,5 m / 2,75 m
Vekt:	12 kg	18 kg	21 kg	24 kg

PerfectWall PW1500				
Bredde:	4 m	4,5 m	5 m	5,5 m
Uttrekk:	2,5 m / 2,75 m			
Vekt:	27 kg	30 kg	33 kg	36 kg

12 V-motor	
Tilkoblingsspenning:	12 V $\overline{=}$ (11 – 15 V)
Strømstyrke:	7 A
Utgangsbelastning:	84 W
Tiltrekkingsmoment:	35 Nm
Test/sertifikat:	

**VAROITUS!**

- Tämä käyttöohje on luettava ja ymmärrettävä ennen käyttöä, puhdistusta ja huoltoa.
- Tämän tuotteen asennus täytyy teettää ammattilaisella. Väärin tehty asennus voi johtaa vakaviin vammoihin. Tuotteeseen tehtävät muutokset voivat olla äärimmäisen vaarallisia ja johtaa vakaviin vammoihin tai laitevaurioihin.
- Tätä ohjetta täytyy säilyttää tuotteen yhteydessä. Omistajan täytyy lukea se tarkkaavaisesti.

Sisällysluettelo

1	Neuvoja käyttöohjeen käyttämiseen	148
2	Turvallisuusohjeet	148
3	Toimituskokonaisuus	150
4	Lisävarusteet	150
5	Käyttötarkoitus	151
6	Tekninen kuvaus	151
7	Markiisin käyttö	151
8	Puhdistus ja hoito	157
9	Tuotevastuu	159
10	Hävittäminen	159
11	Tekniset tiedot	160

1 Neuvoja käyttöohjeen käyttämiseen

**VAROITUS!**

Turvallisuusohje: Huomiotta jättäminen voi aiheuttaa hengenvaaran tai vakavan loukkaantumisen.

**HUOMAUTUS!**

Huomiotta jättäminen voi johtaa materiaalivaurioihin ja haitata tuotteen toimintaa.

**OHJE**

Tuotteen käyttöä koskevia lisätietoja.

2 Turvallisuusohjeet

Noudata ajoneuvovalmistajan ja autoalan ammattiipiirien antamia turvallisuusohjeita ja vaatimuksia!

Valmistaja ei ota mitään vastuuta vahingoista seuraavissa tapauksissa:

- tuotteeseen mekaanisen vaikutuksen tai ylijännitteiden takia syntyneet vauriot
- tuotteeseen ilman valmistajan nimenomaista lupaa tehdyt muutokset
- käyttö muuhun kuin käyttöohjeessa ilmoitettuun tarkoitukseen

Noudata seuraavia varoitusohjeita:

**VAROITUS!**

- Tarkasta ennen ajoon lähtöä, että markiisi on kokonaan sisässä. Älä liikuttele ajoneuvoa koskaan, kun markiisi on avattuna.
- Älä aja koskaan, kun kampi roikkuu paikallaan. Ota kampi pois ennen kuin lähdet ajoon.
- Älä aja autolla, jos kangas on vahingoittunut tai revennyt, älä edes silloin kun markiisi on suljettu asianmukaisesti! Kangas kannattelee markiisin varsia. Jos kangas repeää äkkiä ajon aikana, markiisi syöksyy äkillisesti ulos. Tämä voi johtaa vakaviin vammoihin. Varmista markiisi siten, että se ei voi avautua yhtäkkiä ja odottamatta ajon aikana.
- Markiisia **ei** saa avata ajon aikana.
- Markiisia **ei** saa avata kovalla tuulella tai lumisateella.

- Sulje markiisi, jos odotettavissa on kovaa tuulta, rankkasadetta tai lumisadetta.
- Huolehdi siitä, että kankaalle ei keräänny vettä tai lunta. Muuten markiisi voi vahingoittua tai markiisin varret voivat katketa ja aiheuttaa siten vammoja tai kuoleman.
- Älä lähesty markiisia,
 - jos se on jätetty auki kovalla tuulella,
 - jos sen päälle on muodostunut vesilätäköitä,
 - jos sen päälle on kertynyt lunta,
 - jos markiisikankaalla on paljon karkeaa likaa.
 Markiisi voi odottamatta liikkua, muuttua epävakaaksi, taipua tai murtua.
- Älä jätä avuttua markiisia vaille valvontaa. Sulje markiisi ennen kuin poistut paikalta.
- Pidä avotulella grillatessasi riittävä etäisyys markiisiin. Kuumuus voi vahingoittaa kangasta tai sytyttää sen palamaan.
- Tätä laitetta voivat käyttää valvonnan alaisuudessa myös vähintään 8-vuotiaat lapset samoin kuin henkilöt, joiden fyysiset, aistinvaraiset tai henkiset valmiudet ovat rajoittuneet tai joilta puuttuu käytön vaatima kokemus tai tietämys. Tämä koskee myös tilannetta, jossa edellä mainitut henkilöt ovat saaneet laitteen turvallista käyttöä koskevan perehdytyksen ja jotka tämän perusteella ymmärtävät laitteen käytöstä aiheutuvat vaarat.
- Lapsia tulee valvoa sen varmistamiseksi, etteivät he leiki laitteella.



HUOMAUTUS!

- Sijoita matkailuauto tai asuntovaunu siten, ettei kankaalle pääse likaa (oksia, lehtiä tms.).
- Markiisin kangas ei saa roikkua reunoilta, vaan sen pitää olla aina kireällä. Jos kangas roikkuu, se voi hangata varsiin ja vahingoittua. Jos kyseessä on pitkä markiisi, sen kangas saa roikkua keskeltä.
- Sulje markiisi vain, jos kankaan päällä ei ole likaa (oksia, lehtiä tms.). Muutoin markiisi voi vaurioitua suljettaessa.
- Pidä markiisi puhtaana liasta hankautumien, tahrojen ja homeen välttämiseksi.
- Markiisiin saa sulkea märkinä vain turvallisuussyistä. Avaa se jälleen niin pian kuin mahdollista. Muuten voi muodostua hometta tai tahroja, tai väri voi haalistua.

- Älä koskaan taivuta markiisin varsia tai lippaa alas päästääksesi vettä pois markiisin päältä. Se voi aiheuttaa markiisin vääntymisen ja haitata sen toimintaa.
- Älä ripusta mitään esineitä markiisiin, älä etulippaan äläkä markiisin varsiin.
- Älä käytä mitään suihkeita (esim. hyönteiskarkote, hiussuihke) markiisin lähellä. Se saa kankaan likaantumaan ja kankaan vettä hylkivä ominaisuus voi kadota niiden takia.
- Jos oven yläpuolelle ei jää markiisin kiinnittämisen jälkeen riittävästi vapaata tilaa, ovi täytyy pitää kiinni avaamisen tai sulkemisen aikana, jotta ovi ei osu varsiin tai etulistaan.
Vapaan tilan tarve riippuu oven rakenteesta (oven leveys, kääntö- tai liukuovi) sekä markiisin säädetyistä kallistuskulmista.

3 Toimituskokonaisuus

Määrä	Nimitys
1	Markiisi
1	Käyttöohje
1	Asennusohje

4 Lisävarusteet

Saatavissa lisävarusteena (ei sisälly toimituskokonaisuuteen):

Nimitys	Tuotenumero
Dometic Light LK120 LED-valaisin ja kaukosäädin asennettavaksi markiisin varsiin	9106504018
Tie Down -sarja Markiisin kiinnityshihnat	9103104000

5 Käyttötarkoitus

Markiisit PerfectWall PW1000 ja PW1500 soveltuvat asennettaviksi matkailuautoihin ja asuntovaunuihin.

Markiiseja saa käyttää ainoastaan ajoneuvon seistessä.

6 Tekninen kuvaus

PerfectWall PW1000 ja PW1500 ovat markiiseja, jotka voidaan avata ja sulkea käsikammen avulla.

Markiisiin PerfectWall PW1500 on optiona tarjolla mahdollisuus avata ja sulkea 12 V -moottorilla.

Markiisit tuetaan tukijalkojen avulla ajoneuvon seinään tai maahan.

7 Markiisin käyttö

Noudata myös turvallisuusohjeita: kap. "Turvallisuusohjeet" sivulla 148!

7.1 Ajoneuvon paikkaa koskevia ohjeita



HUOMAUTUS!

- Sijoita ajoneuvo siten, ettei kankaan päälle pääse likaa (oksia, lehtiä tms.).
- Pidä markiisi puhtaana liasta hankautumien, tahrojen ja homeen välttämiseksi.

7.2 Markiisin avaaminen

Markiisin avaaminen käsikammen avulla

**VAROITUS! Loukkaantumiswaara!**

Pidä riittävä etäisyys esineisiin ja muihin ajoneuvoihin. Avaamisen jälkeen joka puolella pitää olla vähintään 40 cm väliä muihin esineisiin ja ajoneuvoihin.

- Loksauta käsikampi markiisin kammenkiinnityskohtaan (kuva **1**, sivulla 2).
- Kierrä käsikampea, kunnes markiisi on avautunut n. 1,5 metrin verran (kuva **2**, sivulla 2).
- Työnnä etulipassa oleva oikea tukijalka kokonaan yhteen niin, että voit liikuttaa sitä vapaasti (kuva **4**, sivulla 3).
- Käännä oikea tukijalka sivulle (kuva **4**, sivulla 3).
- Käännä oikea tukijalka alas ja sijoita se maahan (kuva **5**, sivulla 4).
- Säädä tukijalan korkeus haluamaksesi (kuva **6**, sivulla 4).
- Lukitse tukijalka kääntämällä sen vipu ylös (kuva **7**, sivulla 4).
- Avaa toinen tukijalka samalla tavalla.
- Kierrä käsikampea, kunnes markiisi on avattu haluttuun asentoon. Aseta tukijalat 30 cm:n välein jälleen pystysuoraan etulipan alapuolelle siten, että markiisi on aina turvallisesti tuettu.
- Kierrä käsikampea takaisin n. 1/4 kierros, jotta kangas kiristyy.

**HUOMAUTUS! Vaurioitumisvaara!**

Markiisin kangas ei saa roikkua reunoilta, vaan sen pitää olla aina kireällä. Jos kangas roikkuu, se voi hangata varsiin ja vahingoittaa. Jos kyseessä on pitkä markiisi, sen kangas saa roikkua keskeltä.

- Irrota käsikampi markiisin kammenkiinnityskohdasta.

Markiisin avaaminen 12 V -moottorilla (vain PW1500)**VAROITUS! Loukkaantumisvaara!**

Pidä riittävä etäisyys esineisiin ja muihin ajoneuvoihin. Avaamisen jälkeen joka puolella pitää olla vähintään 40 cm väliä muihin esineisiin ja ajoneuvoihin.

- Paina 12 V -moottorin kytkintä, kunnes markiisi on avautunut n. 1,5 metrin verran (kuva **3**, sivulla 3).
- Työnnä etulipassa oleva oikea tukijalka kokonaan yhteen niin, että voit liikuttaa sitä vapaasti (kuva **4**, sivulla 3).
- Käännä oikea tukijalka sivulle (kuva **4**, sivulla 3).
- Käännä oikea tukijalka alas ja sijoita se maahan (kuva **5**, sivulla 4).
- Säädä tukijalan korkeus haluamaksesi (kuva **6**, sivulla 4).
- Lukitse tukijalka kääntämällä sen vipu ylös (kuva **7**, sivulla 4).
- Avaa toinen tukijalka samalla tavalla.
- Paina 12 V -moottorin kytkintä, kunnes markiisi on avattu haluttuun asentoon. Aseta tukijalat 30 cm:n välein jälleen pystysuoraan etulipan alapuolelle siten, että markiisi on aina turvallisesti tuettu.
- Paina 12 V -moottorin kytkintä sulkeaksesi markiisia sen verran, että kangas on kireällä.

**HUOMAUTUS! Vaurioitumisvaara!**

Markiisin kangas ei saa roikkua reunoilta, vaan sen pitää olla aina kireällä. Jos kangas roikkuu, se voi hangata varsiin ja vahingoittua. Jos kyseessä on pitkä markiisi, sen kangas saa roikkua keskeltä.

Tukijalan pystyttäminen maahan



VAROITUS! Loukkaantumisvaara

- Pystytä tukijalat vain kiinteälle alustalle.
- Varmista tukijalat siten, ettei se pääse luiskahtamaan paikaltaan.

- Pystytä tukijalat pystysuoraan etulipan alapuolelle.
- Varmista tukijalat kiiloin (kuva **8**, sivulla 4).
- Säädä toinen tukijaloista hieman matalammaksi, jotta etulippa on hieman vinossa. Näin kevyt sade pääsee valumaan helposti pois (kuva **9**, sivulla 5).

Tukijalan kiinnittäminen ajoneuvoon

Voit kiinnittää markiisin suoraan ajoneuvoon, jos olet asentanut kiinnikkeet tukijalkoja varten.

- Työnnä kiinnikkeen suojus ylös (kuva **10**, sivulla 5).
- Aseta tukijalat kiinnikkeeseen (kuva **10**, sivulla 5).
- Työnnä kiinnikkeen suojus alas (kuva **10**, sivulla 5).
- Säädä toinen tukijaloista hieman matalammaksi, jotta etulippa on hieman vinossa. Näin kevyt sade pääsee valumaan helposti pois (kuva **11**, sivulla 5).

Kiristystangon asentaminen

Jos markiisin pituus on 4 m tai enemmän, markiisin keskelle täytyy kiinnittää kiristystanko. Näin estetään markiisia roikkumasta keskeltä.

- Työnnä kiristystanko yhteen (kuva **12**, sivulla 6).
- Loksauta kiristystangon yläpää kotelossa olevaan kiinnikkeeseen (kuva **12**, sivulla 6).
- Työnnä kiristystangon toinen pää etulipassa olevaan kiinnikkeeseen (kuva **12**, sivulla 6).

7.3 Markkiisin sulkeminen



HUOMAUTUS!

- Sulje markiisi vain, jos kankaan päällä ei ole likaa (oksia, lehtiä tms.). Muutoin markiisi voi vaurioitua sitä suljettaessa
- Pidä markiisi puhtaana liasta hankautumien, tahrojen ja homeen välttämiseksi.
- Huolehdi markiisia sulkiessasi siitä, että oksia tai muita esineitä ei jää väliin.

- Poista kankaan päällä oleva lika (oksat, lehdet tai vastaavat).
- Vapauta tukijalkojen kiinnitys (kiilat tai ajoneuvossa olevat kiinnikkeet).

Markkiisin sulkeminen käsikammen avulla

- Loksauta käsikammen yläpää markiisissa olevaan kiinnityskohtaan.
- Kierrä käsikampea, kunnes markiisi on enää n. 1,5 metrin verran auki. Aseta tukijalat 30 cm:n välein jälleen pystysuoraan etulipan alapuolelle siten, että markiisi on aina turvallisesti tuettu.
- Vapauta oikea tukijalka kääntämällä sen vipu alas.
- Työnnä tukijalka kokonaan kokoon.
- Käännä oikea tukijalka ylös.
- Käännä oikea tukijalka etulippaan.
- Työnnä oikean tukijalan alaosa etulipassa olevaan kiinnikkeeseen.
- Sulje toinen tukijalka samalla tavalla.
- Kierrä käsikampea, kunnes markiisi on kokonaan kiinni.
- Varmista, että markiisi on kokonaan kiinni, ennen kuin lähdet ajoon. Etulipan täytyy olla tiiviisti kiinni rungossa.
- Irrota käsikampi markiisin kammenkiinnityskohdasta.



HUOMAUTUS! Vaurioitumisvaara!

Jos markiisi on suljettu märkänä, avaa sen heti mahdollisuuden tullen uudelleen, jotta kangas pääsee kuivumaan. Jos märkä kangas pidetään pitkään rullattuna, se muuttuu tunkkaiseksi ja värit voivat haalistua.

Markiisin sulkeminen 12 V -moottorilla (vain PW1500)

- Paina 12 V -moottorin kytkintä, kunnes markiisi on enää n. 1,5 metrin verran auki. Aseta tukijalat 30 cm:n välein jälleen pystysuoraan etulipan alapuolelle siten, että markiisi on aina turvallisesti tuettu.
- Vapauta oikea tukijalka kääntämällä sen vipu alas.
- Työnnä tukijalka kokonaan kokoon.
- Käännä oikea tukijalka ylös.
- Käännä oikea tukijalka etulippaan.
- Työnnä oikean tukijalan alaosa etulipassa olevaan kiinnikkeeseen.
- Sulje toinen tukijalka samalla tavalla.
- Paina 12 V -moottorin kytkintä, kunnes markiisi on kokonaan kiinni.
- Varmista, että markiisi on kokonaan kiinni, ennen kuin lähdet ajoon. Etulipan täytyy olla tiiviisti kiinni rungossa.

**HUOMAUTUS! Vaurioitumisvaara!**

Jos markiisi on suljettu märkänä, avaa sen heti mahdollisuuden tullen uudelleen, jotta kangas pääsee kuivumaan. Jos märkä kangas pidetään pitkään rullattuna, se muuttuu tunkkaiseksi ja värit voivat haalistua.

7.4 12 V -moottorin asetukset (optio)**OHJE**

12 V -moottori on asennettu valmiiksi kankaan akseliin.

Säädä 12 V -moottoria, jos markiisi ei enää sulkeudu tai aukea kokonaan (kuva **13**, sivulla 6).

8 Puhdistus ja hoito

8.1 Puhdistus



HUOMAUTUS! Vaurioitumisvaara!

- Markiisia **ei saa koskaan** puhdistaa painepesurilla.
- Älä käytä puhdistukseen kovia puhdistusaineita tai kovia esineitä, koska ne voivat vahingoittaa tuotetta.

- Poista kaikki kankaalla oleva lika (oksat, lehdet tms.) hankaumien, tahrojen ja homeen välttämiseksi. Markiisi voisi sitä paitsi vaurioitua suljettaessa.
- Puhdista markiisin kangas säännöllisesti pölyn ja lian poistamiseksi:
 - Käytä tähän vettä, jossa on 30 g pesuainetta ja 30 g valkaisuainetta per 10 l vettä.
 - Kastele kangas tällä liuoksella ja anna puhdistusnesteen vaikuttaa viisi minuuttia.
 - Huuhtelee perusteellisesti puhtaalla vedellä.
Varmista, että puhdistusneste valkaisuaineineen pestään kokonaan pois.
Muussa tapauksessa kangas voi vaurioitua.
 - Anna kankaan kuivua.



OHJE

Valmistaja suosittelee:

- Käytä kankaan puhdistukseen Clean&Care -markiisinpuhdistusainetta (tuotenro. 9103501116, saatavilla huoltokumppaniltasi).

8.2 Voitelu

- Voitele markiisin nivelet tarvittaessa parafiinivahalla, teflon- tai silikoniöljyllä.

8.3 Tarkastus



VAROITUS!

Älä käytä markiisia, jos on tehtävä säätö- tai korjaustoimia. Jos havaitset vaurioita, käänny oman maasi huoltoliikkeen puoleen (Osoitteet ohjeen takapuolella).

- Tutki markiisi säännöllisesti epätasapainon ja kulumien sekä kriittisten osien vaurioiden varalta.
- Tarkasta markiisi säännöllisesti:
 - Onko kangas vaurioitunut?
 - Ovatko varret ja etulippa vahingoittumattomia ja vailla kulumisjälkiä?
 - Meneekö markiisi kunnolla kiinni?

8.4 Kiristä olkanivelten ruuvit

Olkanivelten ruuvit täytyy kiristää ensimmäisten kuormitusten jälkeen:

- ensimmäisen markiisia käyttäen vietetyn loman jälkeen
- 20 000 km ajon jälkeen tai kuuden kuukauden kuluttua markiisiin asentamisesta (sen mukaan, kumpi saavutetaan ensin)

Lisäksi olkanivelten ruuvit tulisi tarkastaa ajoneuvon säännöllisten tarkastusten yhteydessä.

Käänny sopimushuoltosi puoleen ruuvien kiristämistä varten.

Ohjeita huoltoa varten (kuva 14, sivulla 6)



HUOMAUTUS!

Markiisin varsien täytyy olla kuormittamattomia, jotta ruuvien kiristysmomentti ei vääristy.

- Nosta etulistaa kevyesti nivelten kuormituksen poistamiseksi.
- Kiristä ruuveja kiristysmomenttiin 15 – 25 Nm.

8.5 Kankaan pienten reikien paikkaaminen

Voit itse paikata kankaan pieniä reikiä tai kohtia, joissa pinnoite irtoaa:

- ▶ Hankaa vahingoittuneen kohdan ympärille puuvillaliinalla hieman nestemäistä vinyylikalvoa (Tuotenro 9103104018, saatavissa huoltoliikkeestäsi).
- ✓ Nestemäinen vinyylikalvo pehmittää pinnoitteen. Pinnoite sulkee reiän kuivuuksaan.
- ▶ Odota ennen markiisin sulkemista, että kohta on kuivunut.

9 Tuotevastuu

Laitetta koskee lakisääteinen takuu-aika. Jos tuote sattuu olemaan viallinen, käänny oman ammattikauppiaasi tai maasi valmistajan toimipisteen puoleen (osoitteet käyttöohjeen takasivulla).

Korjaus- ja takuukäsittelyä varten lähetä mukana seuraavat asiakirjat:

- kopio ostolaskusta, jossa näkyy ostopäivä,
- valitusperuste tai vikakuvaus.

10 Hävittäminen

- ▶ Vie pakkausmateriaali mahdollisuuksien mukaan vastaavan kierrätysjätteen joukkoon.




Jos poistat tuotteen lopullisesti käytöstä, pyydä tietoa sen hävittämistä koskevista määräyksistä lähimmästä kierrätyskeskuksesta tai ammattiliikkeestäsi.

11 Tekniset tiedot

PerfectWall PW1000					
Leveys:	2,6 m	3 m	3,5 m	4 m	4,5 m
Avautuma:	2 m	2,5 m			
Paino:	18,6 kg	21 kg	24 kg	27 kg	30 kg

PerfectWall PW1500				
Leveys:	1,5 m	2,6 m	3 m	3,5 m
Avautuma:	1 m	2 m	2,5 m	2,5 m / 2,75 m
Paino:	12 kg	18 kg	21 kg	24 kg

PerfectWall PW1500				
Leveys:	4 m	4,5 m	5 m	5,5 m
Avautuma:	2,5 m / 2,75 m			
Paino:	27 kg	30 kg	33 kg	36 kg

12 V -moottori	
Liitäntäjännite:	12 V \pm (11 – 15 V)
Virranvoimakkuus:	7 A
Lähtöteho:	84 W
Vääntömomentti:	35 Nm
Tarkastus/sertifikaatti:	



ПРЕДУПРЕЖДЕНИЕ!

- Необходимо прочесть и понять эту инструкцию перед использованием, чисткой и техническим обслуживанием.
- Данное изделие должно монтироваться специалистом. Неправильный монтаж может привести к тяжелым травмам. Изменение конструкции изделия может быть очень опасно и привести к тяжелым травмам или повреждениям прибора.
- Данная инструкция должна храниться рядом с изделием. Владелец должен внимательно прочесть ее.

Оглавление

1	Указания по пользованию инструкцией	162
2	Указания по технике безопасности	162
3	Комплект поставки	164
4	Аксессуары	165
5	Использование по назначению	165
6	Техническое описание	165
7	Управление маркизой	166
8	Очистка и уход	171
9	Гарантия	173
10	Утилизация	173
11	Технические данные	174

1 Указания по пользованию инструкцией



ПРЕДУПРЕЖДЕНИЕ!

Указания по технике безопасности: Несоблюдение может привести к смертельному исходу или тяжелым травмам.



ВНИМАНИЕ!

Несоблюдение может привести к повреждениям и нарушить работу продукта.



УКАЗАНИЕ

Дополнительная информация по управлению продуктом.

2 Указания по технике безопасности

Соблюдайте правила техники безопасности и требования, предписанные изготовителем автомобиля, а также автомастерской!

Изготовитель не несет никакой ответственности за ущерб в следующих случаях:

- Повреждения продукта из-за механических воздействий и перенапряжений
- Изменения в продукте, выполненные без однозначного разрешения изготовителя
- Использование в целях, отличных от указанных в данной инструкции

Соблюдайте следующие предупреждения:



ПРЕДУПРЕЖДЕНИЕ!

- Перед началом движения убедитесь в том, что маркиза полностью убрана. Не перемещайте автомобиль при открытой маркизе.
- Не двигайтесь с установленной рукояткой. Перед началом движения снимите рукоятку.
- Не начинайте движение, если полотно повреждено или надорвано, даже если маркиза должным образом закрыта! Рычаги маркизы удерживаются полотном. Если полотно разорвется во время движения, то маркиза резко вырывается наружу. Это может приводить к тяжелым травмам. Закрепите маркизу так, чтобы она не могла внезапно и неожиданно выдвигаться во время движения.

- **Не** раскрывайте маркизу во время движения.
- **Не** раскрывайте маркизу при сильном ветре или снегопаде.
- Убирайте маркизу, если ожидается сильный ветер, дождь или снегопад.
- Следите за тем, чтобы на полотне не собиралась вода или снег. В противном случае маркиза может быть повреждена или могут быть обломаны рычаги, что, в свою очередь, может привести к тяжелым травмам или смерти.
- Не приближайтесь к маркизе,
 - если она была оставлена открытой во время сильного ветра,
 - если на ней образовались скопления воды,
 - если на ней скопился снег,
 - если на полотне находится много грязи.Маркиза может неожиданно переместиться, стать неустойчивой и деформироваться или оборваться.
- Не оставляйте выдвинутую маркизу без присмотра. Перед покиданием места стоянки уберите маркизу.
- Не устанавливайте мангалы с открытым огнем вблизи маркизы. Полотно может быть повреждено вследствие высокой температуры или загореться.
- Это устройство может использоваться детьми с 8-ми лет и старше, а также лицами с ограниченными физическими, сенсорными и умственными способностями или при недостатке необходимого опыта и знаний только под присмотром или после прохождения инструктажа по безопасному использованию устройства, если они понимают опасности, которые при этом могут возникнуть.
- За детьми необходимо постоянно следить, чтобы не допускать их игры с устройством.



ВНИМАНИЕ!

- Располагайте кемперы или жилые прицепы так, чтобы на полотно не могла попасть грязь (ветки, листья и т. п.).
- Полотно маркизы не должно провисать по краям, а всегда должно быть натянуто. Если полотно провисает, то оно может повредиться в результате трения о рычаг. В длинных маркизах полотно может слегка провисать в центре.
- Убирайте маркизу только в том случае, если на полотне отсутствует грязь (ветки, листья и т. п.). В противном случае при втягивании маркиза может быть повреждена.

- Не допускайте загрязнений маркизы, чтобы предотвратить истирание, пятна и плесень.
- Закрывайте маркизу во влажном состоянии только в целях обеспечения безопасности. Как можно быстрее выдвиньте ее снова. В противном случае могут образовываться пятна или плесень или терять свой цвет полотно.
- Не изгибайте рычаг маркизы или панель, чтобы слить воду с маркизы. Вследствие этого маркиза может деформироваться, что окажет отрицательное влияние на ее работу.
- Не подвешивайте никаких предметов к маркизе - ни к лицевой панели, ни к рычагам.
- Не пользуйтесь аэрозолями (например, инсектицидами, лаком для волос) вблизи маркизы. Вследствие этого полотно может быть загрязнено, либо исчезнуть эффект водоотталкивания.
- Если после монтажа маркизы не остается достаточного свободного пространства над дверью, то во время втягивания или выдвигения дверь должна оставаться открытой, чтобы избежать контакта с рычагами или лицевой планкой.
Требуемое свободное пространство зависит от конструкции двери (ширина, поворотная или раздвижная дверь), а также от настроенного угла наклона маркизы.

3 Комплект поставки

Количество	Наименование
1	Маркиза
1	Инструкция по эксплуатации
1	Инструкция по монтажу

4 Аксессуары

Продается в качестве аксессуара (не входит в комплект поставки):

Наименование	Артикульный номер
Dometic Light LK120 Светодиодная подсветка с дистанционным управлением для монтажа на рычагах шторки	9106504018
Противоштормовой комплект Tie-Down Kit Ремни для натяжения маркизы	9103104000

5 Использование по назначению

Маркизы PerfectWall PW1000 и PW1500 пригодны для установки на кемперы или жилые прицепы.

Использование маркиз допускается только в неподвижном состоянии автомобиля.

6 Техническое описание

PerfectWall PW1000 и PW1500 - это маркизы, которые могут выдвигаться и втягиваться с помощью рукоятки.

Маркизы PerfectWall PW1500 могут дополнительно оснащаться двигателем 12 В, в этом случае выдвигание и втягивание полотна производится с помощью двигателя.

Маркизы фиксируются опорами на стенке автомобиля или на земле.

7 Управление маркизой

Соблюдайте также указания по технике безопасности, приведенные в гл. «Указания по технике безопасности» на стр. 162!

7.1 Указания по месту парковки автомобиля



ВНИМАНИЕ!

- Располагайте автомобиль так, чтобы на полотно не могла попасть грязь (ветки, листья и т. п.).
- Не допускайте загрязнений маркизы, чтобы предотвратить истирание, пятна и плесень.

7.2 Выдвижение маркизы

Выдвижение маркизы с помощью рукоятки



ПРЕДУПРЕЖДЕНИЕ! Опасность травмирования!

Соблюдайте достаточное расстояние до других автомобилей или каких-либо предметов. После выдвижения со всех сторон должно иметься расстояние не менее 40 см до других автомобилей или каких-либо предметов.

- Зафиксируйте рукоятку в креплении маркизы (рис. **1**, стр. 2).
- Вращайте рукоятку до тех пор, пока маркиза не выдвинется приблизительно на 1,5 метра (рис. **2**, стр. 2).
- Полностью сдвиньте правую опору в лицевой панели, чтобы ее можно было свободно перемещать (рис. **4**, стр. 3).
- Поверните правую опору в сторону (рис. **4**, стр. 3).
- Откиньте правую опору вниз и установите ее на землю (рис. **5**, стр. 4).
- Отрегулируйте опору на требуемую высоту (рис. **6**, стр. 4).
- Поднимите рычаг опоры вверх, чтобы зафиксировать ее (рис. **7**, стр. 4).
- Точно так же выдвиньте вторую опору.
- Вращайте рукоятку до тех пор, пока маркиза не выдвинется в требуемое положение. Каждые 30 см установите опоры снова вертикально под лицевую панель так, чтобы маркиза всегда надежно поддерживалась.

- ▶ Поверните рукоятку приблизительно на 1/4 оборота назад, чтобы натянуть полотно.

**ВНИМАНИЕ! Опасность повреждения!**

Полотно маркизы не должно провисать по краям, а всегда должно быть натянуто. Если полотно провисает, то оно может тереться о рычаги и получить повреждения.

В длинных маркизах полотно может слегка провисать в центре.

- ▶ Вытащите рукоятку из крепления маркизы.

Выдвижение маркизы с помощью двигателя 12 В (только в моделях PW1500)**ПРЕДУПРЕЖДЕНИЕ! Опасность травмирования!**

Соблюдайте достаточное расстояние до других автомобилей или каких-либо предметов. После выдвижения со всех сторон должно иметься расстояние не менее 40 см до других автомобилей или каких-либо предметов.

- ▶ Удерживайте нажатым выключатель двигателя 12 В до тех пор, пока маркиза не выдвинется приблизительно на 1,5 метра (рис. **3**, стр. 3).
- ▶ Полностью сдвиньте правую опору в лицевой панели, чтобы ее можно было свободно перемещать (рис. **4**, стр. 3).
- ▶ Поверните правую опору в сторону (рис. **4**, стр. 3).
- ▶ Откиньте правую опору вниз и установите ее на землю (рис. **5**, стр. 4).
- ▶ Отрегулируйте опору на требуемую высоту (рис. **6**, стр. 4).
- ▶ Поднимите рычаг опоры вверх, чтобы зафиксировать ее (рис. **7**, стр. 4).
- ▶ Точно так же выдвиньте вторую опору.
- ▶ Удерживайте нажатым выключатель двигателя 12 В до тех пор, пока маркиза не выдвинется в нужное положение. Каждые 30 см установите опоры снова вертикально под лицевую панель так, чтобы маркиза всегда надежно поддерживалась.

- Удерживайте нажатым выключатель двигателя 12 В до так, чтобы натянулось полотно маркизы.

**ВНИМАНИЕ! Опасность повреждения!**

Полотно маркизы не должно провисать по краям, а всегда должно быть натянуто. Если полотно провисает, то оно может тереться о рычаги и получить повреждения.

В длинных маркизах полотно может слегка провисать в центре.

Установка опоры на землю**ПРЕДУПРЕЖДЕНИЕ! Опасность травмирования**

- Устанавливайте опору только на прочный грунт.
- Предохраните опору от смещения.

- Установите опору вертикально под лицевую панель.
- Закрепите опору колышками (рис. **8**, стр. 4).
- Отрегулируйте опору слегка ниже, чтобы лицевая панель висела слегка наклонно. Благодаря этому вода при небольшом дожде может свободно стекать (рис. **9**, стр. 5).

Крепление опоры на автомобиле

Вы можете закрепить маркизу непосредственно на автомобиле, если установили стопоры опор.

- Переместите крышку стопора вверх (рис. **10**, стр. 5).
- Вставьте опору в фиксатор (рис. **10**, стр. 5).
- Переместите крышку стопора вниз (рис. **10**, стр. 5).
- Отрегулируйте опору слегка ниже, чтобы лицевая панель висела слегка наклонно. Благодаря этому вода при небольшом дожде может свободно стекать (рис. **11**, стр. 5).

Монтаж растяжки

В маркизах с длиной 4 метра и более в ее центре необходимо закрепить растяжку. Она предотвращает провисание маркизы.

- Сдвиньте растяжку (рис. 12, стр. 6).
- Зафиксируйте верхний конец растяжки в крепежном приспособлении на корпусе (рис. 12, стр. 6).
- Вставьте другой конец растяжки в крепежном приспособлении в лицевой панели (рис. 12, стр. 6).

7.3 Убирание маркизы



ВНИМАНИЕ!

- Убирайте маркизу только в том случае, если на полотне отсутствует грязь (ветки, листья и т. п.). В противном случае при втягивании маркиза может быть повреждена.
- Не допускайте загрязнений маркизы, чтобы предотвратить стирание, пятна и плесень.
- При убирании маркизы следите за тем, чтобы не были зажаты ветки, сучья или какие-либо другие предметы.

- Удалите грязь (ветки, листья и т. п.), лежащую на полотне.
- Отпустите крепление опор (фиксатор или стопор на автомобиле).

Убирание маркизы с помощью рукоятки

- Зафиксируйте верхний конец рукоятки в креплении маркизы.
- Вращайте рукоятку до тех пор, пока маркиза не будет выдвинута всего приблизительно на 1,5 метра. Каждые 30 см установите опоры снова вертикально под лицевую панель так, чтобы маркиза всегда надежно поддерживалась.
- Опустите рычаг правой опоры, чтобы разблокировать ее.
- Полностью сдвиньте опору.
- Сложите правую опору вверх.
- Поверните правую опору в лицевую панель.
- Сместите нижнюю часть правой опоры в стопор лицевой панели.
- Точно так же втяните вторую опору.

- Вращайте рукоятку до тех пор, пока маркиза не будет полностью убрана.
- Прежде, чем начать движение, убедитесь в том, что маркиза полностью убрана. Лицевая панель должна плотно прилегать к корпусу.
- Вытащите рукоятку из крепления маркизы.

**ВНИМАНИЕ! Опасность повреждения!**

Если маркиза была убрана во влажном состоянии, то при первой же возможности выдвиньте ее и дайте полотну высохнуть. Если влажное полотно долгое время остается свернутым, она может заплесневеть или может выцвести краска.

Убирание маркизы с помощью двигателя 12 В (только в моделях PW1500)

- Удерживайте нажатым выключатель двигателя 12 В, чтобы маркиза выдвинулась еще приблизительно на 1,5 метра. Каждые 30 см установите опоры снова вертикально под лицевую панель так, чтобы маркиза всегда надежно поддерживалась.
- Опустите рычаг правой опоры, чтобы разблокировать ее.
- Полностью сдвиньте опору.
- Сложите правую опору вверх.
- Поверните правую опору в лицевую панель.
- Сместите нижнюю часть правой опоры в стопор лицевой панели.
- Точно так же втяните вторую опору.
- Удерживайте нажатым выключатель двигателя 12 В, пока маркиза полностью не втянется.
- Прежде, чем начать движение, убедитесь в том, что маркиза полностью убрана. Лицевая панель должна плотно прилегать к корпусу.

**ВНИМАНИЕ! Опасность повреждения!**

Если маркиза была убрана во влажном состоянии, то при первой же возможности выдвиньте ее и дайте полотну высохнуть. Если влажное полотно долгое время остается свернутым, она может заплесневеть или может выцвести краска.

7.4 Регулировка двигателя 12 В (при наличии)



УКАЗАНИЕ

Двигатель 12 В установлен в барабан.

Если маркиза не закрывается и не открывается полностью, отрегулируйте двигатель 12 В (рис. 13, стр. 6).

8 Очистка и уход

8.1 Чистка



ВНИМАНИЕ! Опасность повреждения!

- **Категорически** запрещается очищать маркизу очистителем высокого давления.
- Не используйте для чистки абразивные чистящие средства или острые предметы, т. к. они могут привести к повреждениям изделия.

- Убирайте любую грязь (ветки, листья и т. п.), которая лежит на полотне, чтобы предотвратить истирание, пятна и плесень. Кроме того, маркиза может быть повреждена при втягивании.
- Для удаления пыли и грязи регулярно очищайте полотно маркизы:
 - Для этого используйте воду с 30 г моющего средства и 30 г отбеливателя на 10 л воды.
 - Намылте полотно этим составом и оставьте его действовать на пять минут.
 - Тщательно прополощите чистой водой.Убедитесь в том, что жидкость для чистки с отбеливателем полностью смыта. В противном случае полотно может быть повреждено.
- Дайте полотну высохнуть.



УКАЗАНИЕ

Изготовитель рекомендует:

- для очистки полотна используйте чистящее средство для маркиз Clean&Care (арт. № 9103501116, можно приобрести в сервисной организации).

8.2 Смазка

- ▶ При необходимости, смажьте шарниры маркизы парафиновым воском, тефлоновым или силиконовым маслом.

8.3 Контроль



ПРЕДУПРЕЖДЕНИЕ!

Не пользуйтесь маркизой, если требуется регулировка или ремонт. При обнаружении повреждений обратитесь в сервисную организацию в вашей стране (адреса указаны на оборотной стороне инструкции).

- ▶ Регулярно контролируйте маркизу на предмет дисбаланса и износа, а также на предмет повреждений критических деталей.
- ▶ Регулярно контролируйте маркизу:
 - Полотно без повреждений?
 - Рычаги и лицевая панель без повреждений и следов износа?
 - Маркиза закрывается должным образом?

8.4 Подтягивание винтов шарниров

Винты на шарнире необходимо подтянуть после первых нагрузок:

- после первого отпуска с использованием маркизы
- через 20 000 км пробега или шесть месяцев после установки маркизы (в зависимости от того, какой момент наступает раньше)

Кроме того, рекомендуется контролировать винты шарниров при регулярном техническом осмотре автомобиля.

В целях подтягивания винтов обратитесь в сервисную организацию.

Инструкция для сервисной организации (рис. 14, стр. 6)



ВНИМАНИЕ!

На раздвижные рычаги не должны действовать усилия, чтобы не фальсифицировать момент затяжки винтов.

- ▶ Слегка поднимите лицевую панель, чтобы разгрузить шарниры.
- ▶ Подтяните винты с моментом затяжки 15 – 25 Нм.

8.5 Латание небольших отверстий в полотне

Небольшие отверстия в полотне или точки, в которых отслаивается покрытие, Вы можете залатать самостоятельно:

- ▶ Используя хлопчатобумажный лоскут, разотрите вокруг поврежденной точки немного жидкого винилового пластыря (арт. № 9103104018, можно приобрести в сервисной организации).
- ✓ Жидкий виниловый пластырь размягчает покрытие. При высыхании покрытие закупоривает отверстие.
- ▶ Прежде, чем убрать маркизу, подождите, пока восстановленное место высохнет.

9 Гарантия

Действителен установленный законом срок гарантии. Если продукт неисправен, обратитесь в торговую организацию или в представительство изготовителя в Вашей стране (адреса см. на оборотной стороне инструкции).

В целях проведения ремонта или гарантийного обслуживания Вы должны также послать следующие документы:

- копию счета с датой покупки,
- причину рекламации или описание неисправности.

10 Утилизация

- ▶ По возможности, выкидывайте упаковочный материал в мусор, подлежащий вторичной переработке.




Если Вы окончательно выводите продукт из эксплуатации, то получите информацию в ближайшем центре по вторичной переработке или в торговой сети о соответствующих предписаниях по утилизации.

11 Технические данные

PerfectWall PW1000					
Ширина:	2,6 м	3 м	3,5 м	4 м	4,5 м
Вылет:	2 м	2,5 м			
Вес:	18,6 кг	21 кг	24 кг	27 кг	30 кг

PerfectWall PW1500				
Ширина:	1,5 м	2,6 м	3 м	3,5 м
Вылет:	1 м	2 м	2,5 м	2,5 м / 2,75 м
Вес:	12 кг	18 кг	21 кг	24 кг

PerfectWall PW1500				
Ширина:	4 м	4,5 м	5 м	5,5 м
Вылет:	2,5 м / 2,75 м			
Вес:	27 кг	30 кг	33 кг	36 кг

Двигатель 12 В	
Напряжение подключения:	12 В \pm (11 – 15 В)
Сила тока:	7 А
Выходная мощность:	84 Вт
Вращающий момент:	35 Нм
Испытания/сертификат:	



OSTRZEŻENIE!

- Przed przystąpieniem do używania, czyszczenia i konserwacji tego urządzenia należy przeczytać ze zrozumieniem niniejszą instrukcję obsługi.
- Ten produkt musi zostać zamontowany przez specjalistę. Nieprawidłowy montaż może doprowadzić do poważnych obrażeń ciała. Modyfikacje produktu mogą być bardzo niebezpieczne i mogą prowadzić do poważnych obrażeń ciała i uszkodzenia urządzenia.
- Ta instrukcja obsługi musi pozostać przy produkcie. Posiadacz musi ją uważnie przeczytać.

Spis treści

1	Uwagi dotyczące korzystania z instrukcji	176
2	Wskazówki bezpieczeństwa	176
3	Zakres dostawy	178
4	Osprzęt	179
5	Użytkowanie zgodne z przeznaczeniem	179
6	Opis techniczny	179
7	Obsługa markizy	179
8	Czyszczenie.	185
9	Gwarancja	187
10	Utylizacja	187
11	Dane techniczne	188

1 Uwagi dotyczące korzystania z instrukcji

**OSTRZEŻENIE!**

Wskazówka dot. bezpieczeństwa: Nieprzestrzeganie może prowadzić do śmierci lub ciężkich obrażeń ciała.

**UWAGA!**

Nieprzestrzeganie może prowadzić do powstania szkód materialnych i zakłóceń w działaniu produktu.

**WSKAZÓWKA**

Informacje uzupełniające dot. obsługi produktu.

2 Wskazówki bezpieczeństwa

Należy stosować się do uwag dot. bezpieczeństwa i dokumentacji, zalecanych przez producenta i branżę motoryzacyjną!

Producent nie odpowiada za szkody spowodowane:

- uszkodzeniem produktu w sposób mechaniczny lub spowodowany przeciążeniami elektrycznymi
- zmianami dokonanymi w produkcie bez wyraźnej zgody producenta
- użytkowaniem w celach innych niż opisane w niniejszej instrukcji

Należy stosować się do następujących wskazówek:

**OSTRZEŻENIE!**

- Przed rozpoczęciem jazdy sprawdzić, czy markiza jest całkowicie wsunięta. Nigdy nie ruszać pojazdem przy otwartej markizie.
- Nigdy nie jeździć z zaczepioną korbką. Przed rozpoczęciem jazdy należy ją zdjąć.

- Nie jeździć, jeśli materiał markizy jest uszkodzony lub naderwany – również wtedy, gdy markiza została prawidłowo zamknięta. Ramiona markizy są podtrzymywane przez materiał. Rozerwanie materiału podczas jazdy powoduje gwałtowne rozerwanie całej markizy. Może to doprowadzić do poważnych obrażeń ciała. Zabezpieczyć markizę w taki sposób, aby podczas jazdy nie doszło do jej przypadkowego wysunięcia.
- **Nie** otwierać markizy podczas jazdy.
- **Nie** otwierać jej również podczas silnego wiatru lub opadów śniegu.
- Wsunąć markizę przed nadejściem silnego wiatru, deszczu lub opadów śniegu.
- Uważać, aby na markizie nie zbierała się woda lub śnieg. Woda lub śnieg może spowodować uszkodzenie markizy lub złamanie jej ramion, co z kolei może doprowadzić do ciężkich obrażeń ciała lub do śmierci.
- Nie zbliżać się do markizy,
 - gdy była otwarta podczas silnego wiatru,
 - gdy utworzyła się na niej kałuża wody,
 - gdy zebrał się na niej śnieg,
 - gdy znajduje się na niej duża ilość zabrudzenia.Markiza może być niestabilna, przechylić się lub złamać.
- Nie pozostawiać wysuniętej markizy bez nadzoru. Wsunąć markizę przed opuszczeniem miejsca postoju.
- Podczas grillowania przy otwartym ogniu zachować odpowiedni odstęp od markizy. W wyniku działania wysokiej temperatury materiał może zostać uszkodzony lub spalony.
- Dzieci od 8. roku życia i osoby o ograniczonych możliwościach fizycznych, sensorycznych lub intelektualnych oraz osoby niedysponujące stosowną wiedzą i doświadczeniem mogą użytkować to urządzenie jedynie pod nadzorem innej osoby bądź uzyskania od niej informacji dotyczących bezpiecznego użytkowania i wynikających z tego zagrożeń.
- Dopilnować, by dzieci nie bawiły się urządzeniem.



UWAGA!

- Pojazdy kempingowe lub przyczepy kempingowe należy parkować tak, aby na markizę nie spadały żadne zanieczyszczenia (gałęzie, liście itp.).

- Materiał markizy nie może zwisać, musi być stale napięty. Jeśli materiał będzie zwisał, może ulec uszkodzeniu na ramionach w wyniku pocierania.
Przy długich markizach materiał na środku może zwisać.
- Markizę można wsunąć tylko wówczas, gdy nie znajdują się na niej zanieczyszczenia (gałęzie, liście itp.). W przeciwnym razie może ulec uszkodzeniu.
- Chronić markizę od brudu, przetarć, plam i pleśni.
- Mokrą markizę wsuwać tylko w przypadku zagrożenia bezpieczeństwa. Wysunąć ją ponownie, gdy to tylko możliwe. W przeciwnym razie może dojść do powstania pleśni lub plam albo mogą wyblaknąć kolory.
- Nigdy nie odginać ramion markizy lub osłony w dół w celu usunięcia wody, która zgromadziła się na markizie. Może to spowodować wygięcie markizy i zakłócenie jej działania.
- Nie wieszac żadnych przedmiotów na markizie, ani na przedniej osłonie ani na ramionach.
- Nie stosować sprayów (np. spray na owady, spray do włosów) w pobliżu markizy. Spray spowoduje zabrudzenie, przez które materiał utraci zdolność sperlania wody.
- Jeżeli po zamontowaniu markizy ponad drzwiami nie pozostaje wystarczająco dużo wolnego miejsca, podczas rozwijania oraz zwijania drzwi muszą pozostać zamknięte, aby uniknąć ich kontaktu z ramionami lub przednią listwą.
Niezbędne wolne miejsce zależy od rodzaju konstrukcji drzwi (szerokość drzwi, drzwi uchylne lub przesuwane) oraz ustawionego kąta nachylenia markizy.

3 Zakres dostawy

Liczba	Nazwa
1	Markiza
1	Instrukcja obsługi
1	Instrukcja montażu

4 Osprzęt

Elementy dostępne jako osprzęt (nieobjęte zakresem dostawy):

Nazwa	Numer wyrobu
Dometic Light LK120	9106504018
Oświetlenie LED z pilotem do montażu na ramionach markizy	
Tie Down Kit	9103104000
Pasy do mocowania markizy	

5 Użytkowanie zgodne z przeznaczeniem

Markizy PerfectWall PW1000 oraz PW1500 nadają się do montażu na pojazdach kempingowych lub przyczepach kempingowych.

Markizy można używać tylko podczas postoju.

6 Opis techniczny

PerfectWall PW1000 i PW1500 to markizy, które mogą być wysuwane i wsuwane przy użyciu ręcznej korbki.

Markiza PerfectWall PW1500 może być wysuwana i wsuwana również za pomocą silnika 12 V.

Markizy są zabezpieczane podporami przy ścianie pojazdu lub na ziemi.

7 Obsługa markizy

Należy także przestrzegać wskazówek dotyczących bezpieczeństwa rozdz. „Wskazówki bezpieczeństwa” na stronie 176!

7.1 Wskazówki dot. miejsca postoju pojazdu



UWAGA!

- Pojazd parkować tak, aby na markizę nie spadały żadne zanieczyszczenia (gałęzie, liście itp.).
- Chronić markizę od brudu, przetarć, plam i pleśni.

7.2 Wysuwanie markizy

Wysuwanie markizy za pomocą korbki ręcznej



OSTRZEŻENIE! Ryzyko obrażeń!

Należy zachować wystarczającą odległość od przedmiotów lub innych pojazdów. Po wysunięciu markizy minimalna odległość musi wynosić 40 cm.

- Zablokować korbkę ręczną w mocowaniu markizy (rys. **1**, strona 2).
- Obracać korbką ręczną, aż markiza zostanie wysunięta na ok. 1,5 m (rys. **2**, strona 2).
- Zsunąć całkowicie prawą podporę w osłonie przedniej tak, aby możliwe było jej swobodne przemieszczanie (rys. **4**, strona 3).
- Obrócić prawą podporę w bok (rys. **4**, strona 3).
- Rozłożyć prawą podporę w dół i postawić na ziemi (rys. **5**, strona 4).
- Ustawić żądaną wysokość podpory (rys. **6**, strona 4).
- Dźwignię podpory przestawić w górę, aby ją zablokować (rys. **7**, strona 4).
- Tak samo postąpić z drugą podporą.
- Przekręcić korbkę ręczną tak, aby markiza wysunęła się do pożądanej pozycji. Ustawić podpory pionowo co 30 cm pod osłoną w taki sposób, żeby markiza była w należyty sposób utrzymywana.
- Przekręcić korbkę ręczną o ok. 1/4 obrotu, aby naprężyć materiał.



UWAGA! Niebezpieczeństwo uszkodzenia!

Materiał markizy nie może zwisać, musi być stale napięty. Zwisający materiał może ocierać się o ramiona, ulegając uszkodzeniu. Przy długich markizach materiał na środku może zwisać.

- Wyczepić korbkę ręczną z mocowania markizy.

Wysuwanie markizy za pomocą silnika 12 V (tylko PW1500)**OSTRZEŻENIE! Ryzyko obrażeń!**

Należy zachować wystarczającą odległość od przedmiotów lub innych pojazdów. Po wysunięciu markizy minimalna odległość musi wynosić 40 cm.

- ▶ Nacisnąć włącznik silnika 12 V i przytrzymać, dopóki markiza nie wysunie się na szerokość około 1,5 m (rys. **3**, strona 3).
- ▶ Zsunąć całkowicie prawą podporę w osłonie przedniej tak, aby możliwe było jej swobodne przemieszczanie (rys. **4**, strona 3).
- ▶ Obrócić prawą podporę w bok (rys. **4**, strona 3).
- ▶ Rozłożyć prawą podporę w dół i postawić na ziemi (rys. **5**, strona 4).
- ▶ Ustawić żądaną wysokość podpory (rys. **6**, strona 4).
- ▶ Dźwignię podpory przestawić w górę, aby ją zablokować (rys. **7**, strona 4).
- ▶ Tak samo postąpić z drugą podporą.
- ▶ Nacisnąć włącznik silnika 12 V i przytrzymać, dopóki markiza nie wysunie się do żądanej pozycji. Ustawić podpory pionowo co 30 cm pod osłoną w taki sposób, żeby markiza była w należyty sposób utrzymywana.
- ▶ Nacisnąć włącznik silnika 12 V i przytrzymać, dopóki markiza nie wsunie się do takiej pozycji, w której materiał zostanie napięty.

**UWAGA! Niebezpieczeństwo uszkodzenia!**

Materiał markizy nie może zwisać, musi być stale napięty. Zwisający materiał może ocierać się o ramiona, ulegając uszkodzeniu. Przy długich markizach materiał na środku może zwisać.

Stawianie podpór na ziemi



OSTRZEŻENIE! Ryzyko obrażeń

- Podpory zawsze stawiać wyłącznie na stabilnym podłożu.
- Zabezpieczyć podpory przed poślizgiem.

- Ustawić podporę pionowo pod osłoną przednią.
- Zabezpieczyć podporę szpilkami (rys. **8**, strona 4).
- Jedną podporę stawić trochę niżej, aby osłona przednia wisała pod lekkim skosem. Dzięki temu zapewnione będzie ściekanie wody podczas lekkiego deszczu (rys. **9**, strona 5).

Mocowanie podpór do pojazdu

Po zamontowaniu odpowiednich blokad możliwe jest mocowanie markizy bezpośrednio do pojazdu.

- Przesunąć osłonę blokady w górę (rys. **10**, strona 5).
- Zaczepić podporę w blokadzie (rys. **10**, strona 5).
- Przesunąć osłonę blokady w dół (rys. **10**, strona 5).
- Jedną podporę stawić trochę niżej, aby osłona przednia wisała pod lekkim skosem. Dzięki temu zapewnione będzie ściekanie wody podczas lekkiego deszczu (rys. **11**, strona 5).

Montaż drążka napinającego

W przypadku markiz o długości 4 m lub dłuższych na ich środku musi zostać zamontowany drążek napinający. W ten sposób zapobiega się zwisaniu markizy.

- Zsunąć drążek napinający (rys. **12**, strona 6).
- Górny koniec drążka napinającego zablokować w uchwycie przy obudowie (rys. **12**, strona 6).
- Drugi koniec drążka napinającego wsunąć w uchwyt w osłonie przedniej (rys. **12**, strona 6).

7.3 Wsuwanie markizy



UWAGA!

- Markizę można wsunąć tylko wówczas, gdy nie znajdują się na niej zanieczyszczenia (gałęzie, liście itp.). W przeciwnym wypadku może ona ulec uszkodzeniu.
- Chronić markizę od brudu, przetarć, plam i pleśni.
- Podczas wsuwania uważać, aby nie zakleszczyły się gałęzie lub inne przedmioty.

- Usunąć zabrudzenie (gałęzie liście lub inne) znajdujące się na materiale.
- Usunąć mocowanie podpór (szpilki lub blokada przy pojeździe).

Wsuwanie markizy za pomocą korbki ręcznej

- Górny koniec korbki ręcznej zablokować w uchwycie markizy.
- Obracać korbką ręczną, aż markiza będzie wysunięta tylko jeszcze na ok. 1,5 m. Ustawić podpory pionowo co 30 cm pod osłoną w taki sposób, żeby markiza była w należyty sposób utrzymywana.
- Dźwignię podpory przestawić w dół, aby zwolnić podporę.
- Całkowicie zsunąć podporę.
- Prawą podporę złożyć do góry.
- Obrócić prawą podporę w stronę osłony przedniej.
- Wsunąć dolną część prawej podpory w blokadę osłony przedniej.
- Tak samo postąpić z drugą podporą.
- Kręcić korbką ręczną do momentu, aż markiza zostanie całkowicie wsunięta.
- Przed odjazdem upewnić się, że markiza jest całkowicie wsunięta. Osłona przednia musi mocno przylegać do obudowy.
- Wyczepić korbkę ręczną z mocowania markizy.



UWAGA! Niebezpieczeństwo uszkodzenia!

W przypadku wsunięcia wilgotnej markizy należy przy najbliższej okazji wysunąć ją i osuszyć. Jeśli wilgotny materiał jest przez dłuższy czas zrolowany, może zbutwieć i wyblaknąć.

Wsuwanie markizy za pomocą silnika 12 V (tylko PW1500)

- ▶ Nacisnąć włącznik silnika 12 V i przytrzymać, dopóki markiza nie będzie wysunięta na szerokość ok. 1,5 m. Ustawić podpory pionowo co 30 cm pod osłoną w taki sposób, żeby markiza była w należyty sposób utrzymywana.
- ▶ Dźwignię podpory przestawić w dół, aby zwolnić podporę.
- ▶ Całkowicie zsunąć podporę.
- ▶ Prawą podporę złożyć do góry.
- ▶ Obrócić prawą podporę w stronę osłony przedniej.
- ▶ Wsunąć dolną część prawej podpory w blokadę osłony przedniej.
- ▶ Tak samo postąpić z drugą podporą.
- ▶ Nacisnąć włącznik silnika 12 V i przytrzymać, dopóki markiza całkowicie się nie wsunie.
- ▶ Przed odjazdem upewnić się, że markiza jest całkowicie wsunięta. Osłona przednia musi mocno przylegać do obudowy.



UWAGA! Niebezpieczeństwo uszkodzenia!

W przypadku wsunięcia wilgotnej markizy należy przy najbliższej okazji wysunąć ją i osuszyć. Jeśli wilgotny materiał jest przez dłuższy czas zrolowany, może zbutwieć i wyblaknąć.

7.4 Ustawianie silnika 12 V (opcja)



WSKAZÓWKA

Silnik 12 V jest wstępnie zamontowany w wałku tkaniny.

Jeśli nie da się całkowicie wsunąć lub wysunąć markizy, należy ustawić silnik 12 V (rys. 13, strona 6).

8 Czyszczenie

8.1 Czyszczenie



UWAGA! Niebezpieczeństwo uszkodzenia!

- **Nigdy** nie czyścić markizy urządzeniem wysokociśnieniowym.
- Do czyszczenia nie używać agresywnych środków czyszczących lub twardych przedmiotów, gdyż mogą one uszkodzić produkt.

- ▶ Usuwać zabrudzenie (gałęzie, liście itp.) z markizy, aby uniknąć powstawania przetarć, plam i pleśni. Poza tym markiza może ulec uszkodzeniu podczas wsuwania.
- ▶ Regularnie czyścić materiał markizy, usuwając z niego kurz i brud.
 - Używać do tego mieszanki z 10 litrów wody i 30 g płynu do mycia naczyń oraz 30 g środka wybielającego.
 - Nanieść płyn czyszczący na materiał i pozostawić na pięć minut.
 - Spłukać dokładnie czystą wodą.
Upewnić się, czy całkowicie został usunięty płyn czyszczący ze środkiem wybielającym. Pozostałości mogą uszkodzić materiał.
 - Pozostaw materiał do wysuszenia.



WSKAZÓWKA

Zalecenie producenta:

- Do czyszczenia materiału stosować płyn do markiz Clean&Care (nr art. 9103501116, dostępny u Państwa partnera serwisowego).

8.2 Smarowanie

- ▶ W razie potrzeby należy posmarować przeguby markizy woskiem parafinowym, olejem teflonowym lub silikonowym.

8.3 Kontrola



OSTRZEŻENIE!

Nie używać markizy, gdy są konieczne regulacje lub naprawy. W przypadku stwierdzenia uszkodzeń należy zwrócić się do partnera serwisowego działającego w danym kraju (adresy na odwrocie instrukcji).

- Regularnie kontrolować markizę pod kątem niewyważenia i zużycia oraz uszkodzeń jej krytycznych elementów.
- Należy regularnie sprawdzać:
 - czy materiał nie jest uszkodzony,
 - czy ramiona oraz osłona przednia nie są uszkodzone i nie widać na nich śladów zużycia,
 - czy markiza zamyka się prawidłowo.

8.4 Dokręcanie śrub przegubów ramienia

Śruby w przegubie ramienia po pierwszych obciążeniach muszą zostać dociągnięte:

- po pierwszym urlopie z wykorzystaniem markizy,
- po 20 000 km przebiegu lub po sześciu miesiącach od przymocowania markizy (w zależności od tego, co nastąpi jako pierwsze)

Ponadto śruby w przegubie ramienia powinny być kontrolowane podczas regularnych inspekcji pojazdu.

W celu dokręcenia śrub należy zwrócić się do partnera serwisowego.

Wskazówki odnośnie serwisowania (rys. 14, strona 6)



UWAGA!

Ramiona markizy muszą pozostawać nieobciążone, aby prawidłowo ustalić moment dociągający śrub.

- Należy lekko unieść przestonę przednią, aby uwolnić od obciążenia przeguby.
- Dociągnąć śruby momentem 15 – 25 Nm.

8.5 Łatanie drobnych dziur w materiale

Małe dziury w materiale lub miejscach, w których powłoka rozchodzi się, można załatać samodzielnie:

- ▶ W tym celu należy wetrzeć bawełnianą ściereczką wokół uszkodzonego miejsca małą ilość płynnego plastra winylowego (nr wyrobu 9103104018, dostępny za pośrednictwem partnera serwisowego).
- ✓ Płynny plaster winylowy zmienia właściwości powłoki, która zamyka dziurę podczas schnięcia.
- ▶ Przed wsunięciem markizy należy odczekać, aż miejsce załatania wyschnie.

9 Gwarancja

Warunki gwarancji zostały opisane w Karcie Gwarancyjnej dołączonej do produktu.

W celu naprawy lub rozpatrzenia gwarancji konieczne jest przesłanie:

- kopii rachunku z datą zakupu,
- informacji o przyczynie reklamacji lub opisu wady.

10 Utylizacja

- ▶ Opakowanie należy wyrzucić do odpowiedniego pojemnika na śmieci do recyklingu.




Jeżeli produkt nie będzie dłużej eksploatowany, koniecznie dowiedz się w najbliższym zakładzie recyklingu lub w specjalistycznym sklepie, jakie są aktualnie obowiązujące przepisy dotyczące utylizacji.

11 Dane techniczne

PerfectWall PW1000					
Szerokość:	2,6 m	3 m	3,5 m	4 m	4,5 m
Długość po wyciągnięciu:	2 m	2,5 m			
Waga:	18,6 kg	21 kg	24 kg	27 kg	30 kg

PerfectWall PW1500				
Szerokość:	1,5 m	2,6 m	3 m	3,5 m
Długość po wyciągnięciu:	1 m	2 m	2,5 m	2,5 m / 2,75 m
Waga:	12 kg	18 kg	21 kg	24 kg

PerfectWall PW1500				
Szerokość:	4 m	4,5 m	5 m	5,5 m
Długość po wyciągnięciu:	2,5 m / 2,75 m			
Waga:	27 kg	30 kg	33 kg	36 kg

Silnik 12 V	
Zasilanie:	12 V \equiv (11 – 15 V)
Natężenie prądu:	7 A
Moc wyjściowa:	84 W
Moment obrotowy:	35 Nm
Kontrola/certyfikat:	



VÝSTRAHA!

- Před použitím, čištěním a provedením údržby si musíte přečíst tento návod a porozumět jeho obsahu.
- Výrobek musí instalovat odborník. Následkem nesprávné montáže může dojít k vážným úrazům. Provedení přestaveb výrobku může být mimořádně nebezpečné a může mít za následek vážné úrazy nebo poškození přístroje.
- Tento návod musí zůstat u výrobku. Majitel si jej musí pozorně přečíst.

Obsah

1	Pokyny k používání tohoto návodu	190
2	Bezpečnostní pokyny	190
3	Rozsah dodávky	192
4	Příslušenství	192
5	Použití v souladu se stanoveným účelem	193
6	Technický popis	193
7	Obsluha markýzy	193
8	Čištění a péče	199
9	Záruka	201
10	Likvidace	201
11	Technické údaje	202

1 Pokyny k používání tohoto návodu



VÝSTRAHA!

Bezpečnostní pokyny: Následkem nedodržení pokynů mohou být smrtelná nebo vážná zranění.



POZOR!

Nedodržení pokynů může mít za následek hmotné škody a narušení funkce výrobku.



POZNÁMKA

Doplňující informace týkající se obsluhy výrobku.

2 Bezpečnostní pokyny

Dodržujte předepsané bezpečnostní pokyny a předpisy vydané výrobcem vozidla a autoservisem!

V následujících případech nepřebírá výrobce žádné záruky za škody:

- Poškození výrobku působením mechanických vlivů a přepětí
- Změna výrobku bez výslovného souhlasu výrobce
- Použití k jiným účelům, než jsou popsány v tomto návodu

Respektujte následující výstražné pokyny:



VÝSTRAHA!

- Před zahájením jízdy zkontrolujte, zda je markýza kompletně zasunutá. Pokud je markýza vysunutá, nikdy nepojíždějte vozidlem.
- Nikdy nejezděte se zasunutou klikou. Před zahájením jízdy kliku sundejte.
- Nejezděte s vozidlem, pokud je plachta poškozená nebo natržená, i když je markýza řádně zasunuta! Plachta drží ramena markýzy. Pokud se plachta za jízdy roztrhne, markýza se náhle vysune. Může dojít k vážným úrazům. Zajistěte markýzu tak, aby se nemohla za jízdy náhle a nečekaně vysunout.
- Markýzu **nevysunujte** za jízdy.
- **Nevysunujte** markýzu za silného větru nebo sněžení.
- Pokud očekáváte silný vítr, déšť nebo sněžení, markýzu zasuňte.

- Dávejte pozor, aby se na plachtě nehromadila voda nebo sníh. V opačném případě může dojít k poškození markýzy nebo ke zlomení ramen markýzy s následným vážným nebo smrtelným úrazem.
- Za následujících okolností se nepřibližujte k markýze:
 - Markýza zůstala za silného větru vysunutá,
 - Na markýze se vytvořily „lavóry“ vody,
 - Došlo k nahromadění sněhu,
 - Na plátně markýzy je velké množství hrubých nečistot.
 Markýza se může náhle nečekaně pohnout, může být nestabilní a ohnout se nebo zlomit.
- Nenechávejte vysunutou markýzu bez dozoru. Dříve, než opustíte své stání, musíte markýzu zasunout.
- Při grilování pamatujte na dostatečnou vzdálenost markýzy od otevřeného ohně. Může dojít k poškození plachty vysokou teplotou nebo k jejímu požáru.
- Tento přístroj mohou používat děti od 8 let a osoby se sníženými fyzickými, smyslovými nebo duševními schopnostmi, nebo osoby s nedostatkem zkušeností a znalostí, pokud budou pod dozorem, nebo pokud byly poučeny o bezpečném použití přístroje a rozumějí nebezpečím, které z použití výrobku vyplývají.
- Děti musejí být pod dohledem tak, aby si s výrobkem nehrály.



POZOR!

- Zaparkujte obytný přívěs nebo obytný automobil tak, aby nemohlo dojít ke znečištění plachty (větve, listy apod.).
- Plachta markýzy nesmí být na okrajích prověšená, musí být vždy napnutá. V případě, že je plachta prověšená, může dřít o ramena a může dojít k jejímu poškození. V případě dlouhých markýz může být plachta uprostřed prověšená.
- Markýzu smíte složit pouze za předpokladu, že na plachtě nejsou žádné nečistoty (větve, listy apod.). V opačném případě může dojít při zasouvání markýzy k jejímu poškození.
- Chraňte markýzu před nečistotami, prodřením, skvrnami a plísněmi.
- Mokrou markýzu zasouvejte pouze z bezpečnostních důvodů. Jakmile je to opět možné, ihned ji vysuňte. V opačném případě se mohou vytvořit skvrny nebo plísně, nebo může dojít k vyblednutí barvy.
- Nikdy neohýbejte ramena markýzy nebo clonu dolů k tomu, abyste nechali z markýzy odtéct vodu. Může dojít ke zdeformování markýzy a nepříznivému ovlivnění její funkce.

- Nevěšte na markýzu, na čelní clonu ani na ramena markýzy žádné předměty.
- Nepoužívejte v blízkosti markýzy žádné spreje (např. repelenty, tužidla na vlasy apod.). Následkem je znečištění plachty nebo ztráta její impregnace.
- Pokud po montáži markýzy není nad dveřmi dostatečný volný prostor, musejí dveře během zasouvání nebo vysouvání zůstat zavřené, aby se zabránilo kontaktu dveří s rameny nebo přední lištou. Požadovaný volný prostor závisí na typu dveří (šířka dveří, otočné nebo výsuvné dveře) a nastaveném úhlu sklonu markýzy.

3 Rozsah dodávky

Počet	Název
1	Markýza
1	Návod k obsluze
1	Návod k montáži

4 Příslušenství

Dostupné jako příslušenství (není součástí dodávky):

Název	Číslo výrobku
Dometic Light LK120 Osvětlení LED s dálkovým ovladačem k montáži na ramena markýzy	9106504018
Sada Tie Down Kit Popruhy k napnutí markýzy	9103104000

5 Použití v souladu se stanoveným účelem

Markýzy PerfectWall PW1000 a PW1500 jsou vhodné k instalaci na obytné vozy nebo obytné přívěsy.

Markýzy používejte pouze na zaparkovaném vozidle.

6 Technický popis

PerfectWall PW1000 a PW1500 jsou markýzy, které jsou vysouvány a zasouvány ruční klikou.

Markýzu PerfectWall PW1500 lze volitelně zasouvat a vysouvat také 12 V pohonem.

Markýzy jsou zajištěny opěrami opřenými o stěnu vozidla nebo o zem.

7 Obsluha markýzy

Dodržujte také bezpečnostní pokyny uvedené v části kap. „Bezpečnostní pokyny“ na straně 190!

7.1 Pokyny k výběru stání vozidla



POZOR!

- Zaparkujte vozidlo tak, aby nemohlo dojít ke znečištění plachty (větve, listy apod.).
- Chraňte markýzu před nečistotami, prodřením, skvrnami a plísněmi.

7.2 Vysunutí markýzy

Vysunutí markýzy ruční klikou



VÝSTRAHA! Nebezpečí úrazu!

Pamatujte na dostatečnou vzdálenost od předmětů a jiných vozidel. Po vysunutí musí zůstat v okolí od ostatních předmětů nebo vozidel minimální vzdálenost 40 cm.

- Upevněte ruční kliku do vybrání v markýze (obr. **1**, strana 2).
- Otáčejte klikou, dokud markýzu nevyusunete zhruba na vzdálenost 1,5 m (obr. **2**, strana 2).
- Zasuňte pravou opěru v čelní cloně kompletně tak, abyste se mohli volně pohybovat (obr. **4**, strana 3).
- Vychyľte pravou opěru do strany (obr. **4**, strana 3).
- Vyklopte pravou opěru dolů stranou a postavte ji na zem (obr. **5**, strana 4).
- Nastavte požadovanou výšku opěry (obr. **6**, strana 4).
- Vyklopte páku opěry nahoru tak, abyste opěru zajistili (obr. **7**, strana 4).
- Druhou opěru vysuňte stejným způsobem.
- Otáčejte klikou, dokud markýzu nevyusunete do požadované polohy. Postavte opěry opět svisle ve vzdálenosti každých 30 cm pod čelní clonu tak, aby byla markýza vždy bezpečně podepřena.
- Otočte ruční kliku cca o 1/4 otáčky zpět, tím vypnete plachtu.



POZOR! Nebezpečí poškození!

Plachta markýzy nesmí být na okrajích prověšená, musí být vždy napnutá. V případě, že je plachta prověšená, může dřít o ramena a může dojít k jejímu poškození.

V případě dlouhých markýz může být plachta uprostřed prověšená.

- Uvolněte ruční kliku z vybrání v markýze.

Vysunutí markýzy 12 V pohonem (jen PW1500)**VÝSTRAHA! Nebezpečí úrazu!**

Pamatujte na dostatečnou vzdálenost od předmětů a jiných vozidel. Po vysunutí musí zůstat v okolí od ostatních předmětů nebo vozidel minimální vzdálenost 40 cm.

- Stiskněte spínač 12 V pohonu, aby se markýza vysunula zhruba na vzdálenost 1,5 m (obr. **3**, strana 3).
- Zasuňte pravou opěru v čelní cloně kompletně tak, abyste se mohli volně pohybovat (obr. **4**, strana 3).
- Vychylte pravou opěru do strany (obr. **4**, strana 3).
- Vyklepte pravou opěru dolů stranou a postavte ji na zem (obr. **5**, strana 4).
- Nastavte požadovanou výšku opěry (obr. **6**, strana 4).
- Vyklepte páku opěry nahoru tak, abyste opěru zajistili (obr. **7**, strana 4).
- Druhou opěru vysuňte stejným způsobem.
- Stiskněte spínač 12 V pohonu, aby se markýza vysunula do požadované polohy. Postavte opěry opět svisle ve vzdálenosti každých 30 cm pod čelní clonu tak, aby byla markýza vždy bezpečně podepřena.
- Stiskněte spínač 12 V pohonu, aby se markýza vysunula až do polohy napnutí plachty.

**POZOR! Nebezpečí poškození!**

Plachta markýzy nesmí být na okrajích prověšená, musí být vždy napnutá. V případě, že je plachta prověšená, může dřít o ramena a může dojít k jejímu poškození. V případě dlouhých markýz může být plachta uprostřed prověšená.

Upevnění opěry na zemi



VÝSTRAHA! Nebezpečí úrazu

- Opěry postavte výhradně na pevný podklad.
- Zajistěte opěry proti uklouznutí.

- Umístěte opěru svisle pod čelní clonu.
- Zajistěte opěru pomocí kolíků (obr. **8**, strana 4).
- Jednu opěru umístěte o něco níže tak, aby čelní clona visela mírně šikmo. Lehký déšť tak může přímo stékat (obr. **9**, strana 5).

Upevnění opěr o vozidlo

Markýzu můžete upevnit přímo na vozidlo, pokud jste namontovali aretační prvky pro opěry.

- Přesuňte kryty aretace nahoru (obr. **10**, strana 5).
- Zavěste opěru do aretačního prvku (obr. **10**, strana 5).
- Přesuňte kryt aretace dolů (obr. **10**, strana 5).
- Jednu opěru umístěte o něco níže tak, aby čelní clona visela mírně šikmo. Lehký déšť tak může přímo stékat (obr. **11**, strana 5).

Montáž napínací rozpěry

V případě markýz o délce 4 m a větších musíte doprostřed markýzy upevnit napínací rozpěru. Tím zabráníte průvěsu markýzy.

- Složte napínací rozpěru (obr. **12**, strana 6).
- Umístěte horní konec napínací rozpěry do závěsu v krytu (obr. **12**, strana 6).
- Umístěte druhý konec napínací rozpěry do závěsu v čelní cloně (obr. **12**, strana 6).

7.3 Zasunutí markýzy



POZOR!

- Markýzu smíte složit pouze za předpokladu, že na plachtě nejsou žádné nečistoty (větve, listy apod.). V opačném případě může dojít při zasouvání markýzy k jejímu poškození.
- Chraňte markýzu před nečistotami, prodřením, skvrnami a plísněmi.
- Při zasouvání markýzy pamatujte, že nesmí dojít k zachycení větví ani jiných předmětů.

- Odstraňte z plachty nečistoty (větve, listy apod.).
- Uvolněte upevnění opěr (kolíky nebo aretaci z vozidla).

Zasunutí markýzy ruční klikou

- Umístěte horní konec ruční kliky do závěsu v markýze.
- Otáčejte klikou, dokud markýza nebude vysunuta zhruba na vzdálenost 1,5 m. Postavte opěry opět svisle ve vzdálenosti každých 30 cm pod čelní clonu tak, aby byla markýza vždy bezpečně podepřena.
- Vyklopte páku pravé opěry dolů tak, abyste opěru uvolnili.
- Složte opěry kompletně dohromady.
- Vyklopte pravou opěru nahoru.
- Otočte pravou opěru do čelní clony.
- Zasuňte dolní díl pravé opěry do aretace čelní clony.
- Druhou opěru vysuňte stejným způsobem.
- Otáčejte ruční klikou, dokud nebude markýza kompletně zasunutá.
- Před zahájením jízdy zkontrolujte, zda je markýza kompletně zasunutá. Čelní clona musí těsně přiléhat ke skříni.
- Uvolněte ruční kliku z vybrání v markýze.



POZOR! Nebezpečí poškození!

Pokud zasunete vlhkou markýzu, vysuňte ji při nejbližší možné příležitosti a nechejte plachtu vyschnout. V případě, že zůstane vlhká plachta delší dobu zasunutá, začne plísnivět a může dojít k vyblednutí barev.

Zasunutí markýzy 12 V pohonem (jen PW1500)

- Stiskněte spínač 12 V pohonu, aby se markýza vysunula zhruba na vzdálenost 1,5 m. Postavte opěry opět svisle ve vzdálenosti každých 30 cm pod čelní clonu tak, aby byla markýza vždy bezpečně podepřena.
- Vyklopte páku pravé opěry dolů tak, abyste opěru uvolnili.
- Složte opěry kompletně dohromady.
- Vyklopte pravou opěru nahoru.
- Otočte pravou opěru do čelní clony.
- Zasuňte dolní díl pravé opěry do aretace čelní clony.
- Druhou opěru vysuňte stejným způsobem.
- Stiskněte spínač 12 V pohonu, aby se markýza zcela zasunula.
- Před zahájením jízdy zkontrolujte, zda je markýza kompletně zasunutá. Čelní clona musí těsně přiléhat ke skříni.



POZOR! Nebezpečí poškození!

Pokud zasunete vlhkou markýzu, vysuňte ji při nejbližší možné příležitosti a nechte plachtu vyschnout. V případě, že zůstane vlhká plachta delší dobu zasunutá, začne plesnivět a může dojít k vyblednutí barev.

7.4 Nastavení 12 V pohonu (volitelné)



POZNÁMKA

12 V pohon je předem namontován v hřídeli plachty.

Pokud se markýza již zcela nezavírá nebo neotevívá, potom nastavte 12 V pohon (obr. **13**, strana 6).

8 Čištění a péče

8.1 Čištění



POZOR! Nebezpečí poškození!

- **Nikdy** nečistěte markýzu vysokotlakým čističem.
- Nepoužívejte k čištění čisticí písky nebo tvrdé předměty, může dojít k poškození výrobku.

- Odstraňte jakoukoliv nečistotu (větve, listy apod.), která leží na plachtě tak, aby nedošlo k prodření, vzniku skvrn nebo plesnivění. Kromě toho se může markýza během zasouvání poškodit.
- Pravidelně čistěte plachtu markýzy a odstraňujte prach a nečistoty:
 - Používejte k tomu vodu s 30 g pracího prostředku a 30 g bělicího prostředku na 10 litrů vody.
 - Čistěte plachtu tímto roztokem a nechte čisticí kapalinu pět minut působit.
 - Potom plachtu řádně opláchněte čistou vodou.Zajistěte, aby došlo k úplnému smytí čisticí kapaliny s bělicím prostředkem. V opačném případě může dojít k poškození plachty.
 - Nechejte plachtu vyschnout.



POZNÁMKA

Výrobce doporučuje:

- Používejte k praní utěrky prostředek k čištění markýz Clean&Care (výr. č. 9103501116, dodává servisní partner).

8.2 Mazání

- Podle potřeby namažte klouby markýzy parafinovým voskem, teflonovým nebo silikonovým olejem.

8.3 Kontrola



VÝSTRAHA!

Markýzu nepoužívejte, pokud je nutné nastavení nebo oprava. Zjištěné škody vždy nechejte opravit servisního partnera v příslušné zemi (adresy viz zadní strana návodu).

- ▶ Pravidelně kontrolujte, zda není markýza nevyvážená nebo poškozená a opotřebovaná na kritických částech.
- ▶ Markýzu pravidelně kontrolujte:
 - Není plachta poškozená?
 - Nejsou poškozena ramena a čelní clona, nejsou tyto díly opotřebované?
 - Zasouvá se markýza správně?

8.4 Dotážení šroubů zadních kloubových závěsů

Po prvním zatížení musíte dotáhnout šrouby na zadním kloubovém závěsu:

- Po první dovolené s markýzou
- Po 20 000 km jízdy nebo po šesti měsících po instalaci markýzy (platí podmínka, která nastane dříve)

Kromě toho kontrolujte šrouby na kloubovém závěsu při pravidelných kontrolách vozidla.

S dotažením šroubů kontaktujte svého servisního partnera.

Pokyny pro servis (obr. 14, strana 6)



POZOR!

Ramena markýzy nesmějí být zatížena, aby se nezkreslil údaj utahovacího momentu šroubů.

- ▶ Mírně zvedněte přední lištu, aby klouby nebyly zatíženy.
- ▶ Dotáhněte šrouby momentem 15 – 25 Nm.

8.5 Vyspravení drobných trhlin v plachtě

Drobné trhliny v plachtě nebo místa, na kterých se uvolňuje povrchová úprava, můžete vyspravit vlastními silami:

- ▶ Vetřete bavlněnou utěrkou kolem poškozeného místa menší množství vinylového roztoku (obj. č. 9103104018, dodává váš servisní partner).
- ✓ Kapalný vinylový roztok uvolní povrchovou úpravu. Tato povrchová úprava po vyschnutí zapraví otvor.
- ▶ Než markýzu zasunete vyčkejte, dokud opravované místo neuschne.

9 Záruka

Na výrobek je poskytována záruka v souladu s platnými zákony. Pokud je výrobek vadný, kontaktujte svého specializovaného prodejce nebo pobočku výrobce ve vaší zemi (adresy jsou uvedeny na zadní straně návodu).

K provedení opravy nebo záručního servisu musíte zaslat následující dokumentaci:

- kopii účtu s datem zakoupení,
- uvedení důvodu reklamace nebo popisu vady.

10 Likvidace

- ▶ Obalový materiál likvidujte v odpadu určeném k recyklaci.




Jakmile výrobek zcela vyřadíte z provozu, informujte se v příslušných recyklačních centrech nebo u specializovaného prodejce o příslušných předpisech o likvidaci odpadu.

11 Technické údaje

PerfectWall PW1000					
Šířka:	2,6 m	3 m	3,5 m	4 m	4,5 m
Výsuv:	2 m	2,5 m			
Hmotnost:	18,6 kg	21 kg	24 kg	27 kg	30 kg

PerfectWall PW1500				
Šířka:	1,5 m	2,6 m	3 m	3,5 m
Výsuv:	1 m	2 m	2,5 m	2,5 m / 2,75 m
Hmotnost:	12 kg	18 kg	21 kg	24 kg

PerfectWall PW1500				
Šířka:	4 m	4,5 m	5 m	5,5 m
Výsuv:	2,5 m / 2,75 m			
Hmotnost:	27 kg	30 kg	33 kg	36 kg

12 V pohon	
Napájecí napětí:	12 V \pm (11 – 15 V)
Intenzita proudu:	7 A
Výstupní výkon:	84 W
Krouticí moment:	35 Nm
Zkouška/certifikát:	



OPOZORILO!

- Ta navodila je treba razumeti in prebrati pred uporabo, čiščenjem in vzdrževanjem.
- Ta izdelek mora montirati strokovnjak. Zaradi nepravilne montaže lahko pride do hudih poškodb. Predelave na izdelku so lahko zelo nevarne in povzročijo hude poškodbe ali škodo na napravi.
- Ta navodila morajo ostati ob izdelku. Lastnik jih mora pazljivo prebrati.

Kazalo

1	Napotki za uporabo navodil	204
2	Varnostni napotki	204
3	Obseg dobave	206
4	Pribor	206
5	Uporaba v skladu z namenom	207
6	Tehnični opis	207
7	Upravljanje markize	207
8	Čiščenje in nega	213
9	Jamstvo	215
10	Odstranjevanje	215
11	Tehnični podatki	216

1 Napotki za uporabo navodil

**OPOZORILO!**

Varnostni napotek: Neupoštevanje lahko povzroči smrt ali težko poškodbo.

**OBVESTILO!**

Neupoštevanje lahko povzroči materialno škodo in vpliva na delovanje izdelka.

**NASVET**

Dopolnilne informacije za upravljanje naprave.

2 Varnostni napotki

Upoštevajte varnostne napotke in zahteve proizvajalca vozila in obrti motornih vozil!

Proizvajalec ne prevzame odgovornosti za škode v naslednjih primerih:

- poškodbe proizvoda zaradi mehanskih vplivov in prenapetosti
- spremembe na proizvodu brez izrecnega dovoljenja proizvajalca
- uporaba v druge namene, kot so opisani v navodilih

Upoštevajte naslednja opozorila:

**OPOZORILO!**

- Pred začetkom vožnje preverite, da je markiza popolnoma uvlečena. Ko je markiza izvlečena, ne premikajte vozila.
- Nikoli se ne vozite z vpeto ročico. Pred začetkom vožnje snemite ročico.
- Vozila ne vozite, če je blago poškodovano ali raztrgano, tudi če je markiza pravilno zaprta! Blago drži roke markize. Če se blago med vožnjo raztrga, se markiza nenadoma sproži. Zaradi tega lahko pride do hudih poškodb. Markizo zavarujte tako, da se med vožnjo ne bo mogla nenadoma in nepričakovano izvleči.
- Med vožnjo markize **ne** odpirajte.
- Markize **ne** odpirajte pri močnem vetru ali med sneženjem.

- Uvlecite markizo, če obstaja nevarnost močnega vetra, dežja ali sneženja.
- Pazite, da se na blagu ne bo nabirala voda ali sneg. Sicer se markiza lahko poškoduje ali pa se roke markize odlomijo in tako povzročijo hude poškodbe ali poškodbe s smrtnim izidom.
- Ne približujte se markizi,
 - če je ostala odprta med močnim vetrom,
 - če se je na njen nabrala voda,
 - če se je na njej nabral sneg,
 - če je na markizi veliko grobe umazanije.
 Markiza se lahko začne nepričakovano premikati, postane nestabilna in se lahko ukrivi ali odlomi.
- Izvlečeno markizo vedno nadzorujte. Uvlecite markizo, preden premaknete vozila z mesta, kjer je parkirano.
- Žara z odprtim ognjem ne uporabljajte v bližini markize. Vročina lahko poškoduje blago ali pa se to lahko vname.
- Ta izdelek lahko uporabljajo otroci, starejši od 8 let, kot tudi osebe z zmanjšanimi fizičnimi, senzoričnimi ali duševnimi sposobnostmi ali s pomanjkljivimi izkušnjami in znanjem, če so pod nadzorom tretje osebe ali če so bile poučene o varni uporabi naprave in razumejo nevarnosti, ki bi lahko nastale.
- Otroke nadzirajte in tako preprečite, da bi se z napravo igrali.



OBVESTILO!

- Avtodom ali stanovanjsko prikolico postavite tako, da na blago ne more priti umazanija (veje, listi in podobno).
- Blago markize ob robovih ne sme biti povešeno, temveč mora biti na vseh mestih napeto. Če je blago povešeno, se lahko drgne ob roke in poškoduje.
Pri dolgih markizah je lahko blago povešeno na sredini.
- Markizo uvlecite le, če na blagu ni nobene umazanije (vej, listov in podobnega). V nasprotnem primeru se lahko markiza poškoduje.
- Z markize odstranjujte umazanijo, da preprečite nastajanje odrgnin, madežev in plesni.
- Mokro markizo uvlecite samo iz varnostnih razlogov. Čim prej jo znova izvlecite. Sicer lahko nastane plesen ali madeži oz. barva lahko zbledi.
- Roke markize ali sprednjega roba nikoli ne upogibajte navzdol, da bi voda odtekla z markize. Zaradi tega se lahko markiza zvije in več ne deluje pravilno.

- Ne obešajte predmetov na markizo, ne na sprednji rob ali na roke markize.
- V bližini markize ne uporabljajte pršil (npr. pršil proti insektom, pršil za lase). Sicer se lahko umaže blago ali se uniči učinek odbijanja v kapljicah.
- Če po montaži markize nad vrati ne ostane dovolj prostega prostora, morajo vrata med uvlečenjem in izvlečenjem ostati zaprta, s čimer se prepreči stik vrat z rokami ali sprednjo letvijo.
Potreben prosti prostor je odvisen od načina izdelave vrat (širina vrat, nihajna ali drsna vrata) in nastavljenega nagibnega kota markize.

3 Obseg dobave

Števílo	Poimenovanje
1	Markiza
1	Navodilo za uporabo
1	Navodilo za montažo

4 Pribor

Na voljo kot pribor (ni del obsega dobave):

Poimenovanje	Št. izdelka
Dometic Light LK120 LED-osvetljava z daljinskim upravljanjem za montažo na roke markize	9106504018
Komplet za privezovanje Pasovi za privezovanje markize	9103104000

5 Uporaba v skladu z namenom

Markize PerfectWall PW1000 in PW1500 so primerne za namestitvev na avtodome ali stanovanjske prikolice.

Markize je dovoljeno uporabljati le, ko vozilo stoji.

6 Tehnični opis

PerfectWall PW1000 in PW1500 so markize, ki jih je mogoče uvleči in izvleči s pomočjo ročice.

Markizo PerfectWall PW1500 je mogoče izbirno uvleci in izvleci tudi z 12-voltnim motorjem.

Markize so z oporami zavarovane na steni vozila ali na tleh.

7 Upravljanje markize

Upoštevajte tudi varnostne napotke, pogl. „Varnostni napotki“ na strani 204!

7.1 Napotki glede mesta postavitve vozila



OBVESTILO!

- Vozilo postavite tako, da na blago ne more priti kakšna umazanija (veje, listi in podobno).
- Z markize odstranjujte umazanijo, da preprečite nastajanje odrgnin, madežev in plesni.

7.2 Izvlečenje markize

Izvlečenje markize z ročico



OPOZORILO! Nevarnost poškodb!

Upoštevajte zadostno razdaljo do predmetov in drugih vozil. Ko je markiza izvlečena, mora biti v krogu minimalni odmik do drugih predmetov ali vozil 40 cm.

- Ročica mora zaskočiti v držalu markize (sl. **1**, stran 2).
- Vrtite ročico, dokler ni markiza izvlečena približno 1,5 m (sl. **2**, stran 2).
- Desno oporo v sprednjem robu potisnite do konca skupaj, da jo boste lahko prosto premikali (sl. **4**, stran 3).
- Obrnite desno oporo na stran (sl. **4**, stran 3).
- Spustite desno oporo in jo prislonite na tla (sl. **5**, stran 4).
- Oporo nastavite na zeleno višino (sl. **6**, stran 4).
- Dvignite ročaj opore, da fiksirate oporo (sl. **7**, stran 4).
- Na enak način izvlecite tudi drugo oporo.
- Vrtite ročico, dokler ni markiza izvlečena v zelenem položaju. Opori vsakih 30 cm znova postavite navpično pod sprednji rob, da bo markiza varno fiksirana.
- Zavrtite ročico za pribl. 1/4 obrata nazaj, da napnete blago.



OBVESTILO! Nevarnost poškodb!

Blago markize ob robovih ne sme biti povešeno, temveč mora biti na vseh mestih napeto. Če je blago povešeno, se lahko drgne ob roke in poškoduje.

Pri dolgih markizah je lahko blago povešeno na sredini.

- Snemite ročico iz držala markize.

Izvlačenje markize z 12-voltnim motorjem (samo PR1500)**OPOZORILO! Nevarnost poškodb!**

Upoštevajte zadostno razdaljo do predmetov in drugih vozil. Ko je markiza izvlečena, mora biti v krogu minimalni odmik do drugih predmetov ali vozil 40 cm.

- ▶ Pritiskajte stikalo 12-voltnega motorja, dokler ni markiza izvlečena približno 1,5 m (sl. **3**, stran 3).
- ▶ Desno oporo v sprednjem robu potisnite do konca skupaj, da jo boste lahko prosto premikali (sl. **4**, stran 3).
- ▶ Obrnite desno oporo na stran (sl. **4**, stran 3).
- ▶ Spustite desno oporo in jo pristonite na tla (sl. **5**, stran 4).
- ▶ Oporo nastavite na zeleno višino (sl. **6**, stran 4).
- ▶ Dvignite ročaj opore, da fiksirate oporo (sl. **7**, stran 4).
- ▶ Na enak način izvlecite tudi drugo oporo.
- ▶ Pritiskajte stikalo 12-voltnega motorja, dokler ni markiza izvlečena v zelenem položaju. Opori vsakih 30 cm znova postavite navpično pod sprednji rob, da bo markiza varno fiksirana.
- ▶ Pritiskajte stikalo 12-voltnega motorja, da markizo uvlečete, dokler ni blago napeto.

**OBVESTILO! Nevarnost poškodb!**

Blago markize ob robovih ne sme biti povešeno, temveč mora biti na vseh mestih napeto. Če je blago povešeno, se lahko drgne ob roke in poškoduje.

Pri dolgih markizah je lahko blago povešeno na sredini.

Postavljanje opor na tla



OPOZORILO! Nevarnost poškodb

- Oporo postavite samo na trdno podlago.
- Zavarujte oporo, da ne bo zdrsnila stran.

- Oporo postavite navpično pod sprednji rob.
- Oporo zavarujte s klini (sl. **8**, stran 4).
- Eno oporo nastavite nekoliko nižje, da bo sprednji rob rahlo visel postrani. Tako bo dež lahko takoj neposredno odtekel (sl. **9**, stran 5).

Pritrjevanje opore na vozilo

Markizo lahko pritrdite neposredno na vaše vozilo, če so montirani zapahi za opore.

- Potisnite pokrov zapaha navzgor (sl. **10**, stran 5).
- Obesite oporo v zapah (sl. **10**, stran 5).
- Potisnite pokrov zapaha navzdol (sl. **10**, stran 5).
- Eno oporo nastavite nekoliko nižje, da bo sprednji rob rahlo visel postrani. Tako bo dež lahko takoj neposredno odtekel (sl. **11**, stran 5).

Montiranje napenjalnega droga

Pri markizah z dolžino 4 m ali več je treba na sredini markize pritrditi napenjalni drog. Ta preprečuje, da bi se markiza povesila.

- Sestavite napenjalni drog (sl. **12**, stran 6).
- Zgornji konec napenjalnega droga mora zaskočiti v nastavku na ohišju (sl. **12**, stran 6).
- Potisnite drugi konec napenjalnega droga v nastavek na sprednjem robu (sl. **12**, stran 6).

7.3 Uvlečenje markize



OBVESTILO!

- Markizo uvlecite le, če na blagu ni nobene umazanije (vej, listov in podobnega). V nasprotnem primeru se lahko markiza poškoduje.
- Z markize odstranjujte umazanijo, da preprečite nastajanje odrgrin, madežev in plesni.
- Pri uvlečenju markize pazite, da se ne bodo zataknille veje ali drugi predmeti.

- Z blaga odstranite umazanijo (veje, liste ali podobno).
- Sprostite pritrditev opor (kline ali zapah na vozilu).

Uvlečenje markize z ročico

- Zgornji konec ročice mora zaskočiti v držalu markize.
- Vrtite ročico, dokler ni markiza izvlečena samo še približno 1,5 m. Opori vsakih 30 cm znova postavite navpično pod sprednji rob, da bo markiza varno fiksirana.
- Spustite ročaj desne opore, da sprostite oporo.
- Oporo potisnite do konca skupaj.
- Dvignite desno oporo.
- Zavrtite desno oporo v sprednji rob.
- Potisnite spodnji del desne opore v zapah sprednjega roba.
- Na enak način uvlecite tudi drugo oporo.
- Vrtite ročico, dokler ni markiza do konca uvlečena.
- Pred začetkom vožnje se prepričajte, ali je markiza do konca uvlečena. Sprednji rob mora prilegati tesno ob ohišje.
- Snemite ročico iz držala markize.



OBVESTILO! Nevarnost poškodb!

Če ste uvlekli mokro markizo, jo ob naslednji priložnosti znova izvlecite, da se blago posuši. Če ostane mokro blago dlje časa zvito, začne plesneti in barve lahko zbledijo.

Uvlečenje markize z 12-voltnim motorjem (samo PW1500)

- Pritiskajte stikalo 12-voltnega motorja, dokler ni markiza izvlečena samo še približno 1,5 m. Opori vsakih 30 cm znova postavite navpično pod sprednji rob, da bo markiza varno fiksirana.
- Spustite ročaj desne opore, da sprostite oporo.
- Oporo potisnite do konca skupaj.
- Dvignite desno oporo.
- Zavrtite desno oporo v sprednji rob.
- Potisnite spodnji del desne opore v zapah sprednjega roba.
- Na enak način uvlecite tudi drugo oporo.
- Pritiskajte stikalo 12-voltnega motorja, dokler ni markiza do konca uvlečena.
- Pred začetkom vožnje se prepričajte, ali je markiza do konca uvlečena. Sprednji rob mora prilegati tesno ob ohišje.



OBVESTILO! Nevarnost poškodb!

Če ste uvlekli mokro markizo, jo ob naslednji priložnosti znova izvlecite, da se blago posuši. Če ostane mokro blago dlje časa zvito, začne plesneti in barve lahko zbledijo.

7.4 Nastavljanje 12-voltnega motorja (izbirno)



NASVET

12-voltni motor je predmontiran v gredi markize.

Če se markiza več ne zapre ali odpre do konca, nastavite 12-voltni motor (sl. **13**, stran 6).

8 Čiščenje in nega

8.1 Čiščenje



OBVESTILO! Nevarnost poškodb!

- Markize **nikoli** ne čistite z visokotlačnim čistilnikom.
- Za čiščenje ne uporabljajte agresivnih čistil ali trdih predmetov, saj lahko poškodujejo izdelek.

- ▶ Vso umazanijo (veje, liste ali podobno) odstranite z blaga, da preprečite nastajanje odrgnin, madežev in plesni. Poleg tega se lahko markiza poškoduje, če jo tako uvlečete.
- ▶ Redno čistite blago markize, da odstranite prah in umazanijo:
 - Za čiščenje uporabite vodo s 30 g sredstva za pomivanje posode in 30 g belila v 10 l vode.
 - S čistilno tekočino namilite blago in pustite tekočino delovati pet minut.
 - Nato temeljito sperite s čisto vodo.
Preverite, ali ste sprali vso čistilno tekočino z belilom. Sicer se lahko poškoduje blago.
 - Počakajte, da se blago posuši.



NASVET

Proizvajalec priporoča:

- Za čiščenje blaga uporabite čistilo za markize Clean&Care (št. izdelka 9103501116, na voljo pri vašem servisnem partnerju).

8.2 Mazanje

- ▶ Po potrebi namažite zglobe markize s parafinskim voskom, teflonskim ali silikonskim oljem.

8.3 Pregledovanje



OPOZORILO!

Markize ne uporabljajte, če jo je treba nastaviti ali popraviti.

Če opazite poškodbe, se obrnite na servisnega partnerja v vaši državi (naslovi so navedeni na hrbtni strani navodil).

- ▶ Markizo redno pregledujte glede neuravnoteženosti in obrabe ter poškodb na kritičnih delih.
- ▶ Markizo redno pregledujte:
 - Je blago poškodovano?
 - So ročice in sprednji rob nepoškodovani in na njih ni sledi obrabe?
 - Se markiza pravilno zapira?

8.4 Pritegnite vijake ramenskih sklepov

Po prvih obremenitvah je treba vijake na ramenskem sklepu ponovno priviti:

- po prvem dopustu, ko ste markizo uporabili
- po 20.000 km vožnje ali šestih mesecih po vgradnji markize (odvisno od tega, kaj nastopi najprej)

Poleg tega je treba ob rednih servisih vozila kontrolirati vijake na ramenskem sklepu.

Za privijanje vijakov se obrnite na vašo servisno službo.

Navodilo za servis (sl. 14, stran 6)



OBVESTILO!

Roke markize morajo biti razbremenjene, da se pritezni moment vijakov ne izkrivi.

- ▶ Rahlo dvignite prednjo letev, s čimer razbremenite zglobe.
- ▶ Vijake privijte s 15 – 25 Nm.

8.5 Krpanje majhnih lukenj v blagu

Majhne luknje in mesta, s katerih je odstopil premaz, lahko krpate sami:

- ▶ Z bombažno krpo premažite okrog prizadetega mesta majhno količino tekočega vinilnega obliža (št. izdelka 9103104018, na voljo pri vašem servisnem partnerju).
- ✓ Tekoči vinilni obliž raztopi premaz. Premaz zapre luknjo, ko se posuši.
- ▶ Preden uvlečete markizo, počakajte, da se to mesto posuši.

9 Jamstvo

Na výrobek je poskytována záruka v souladu s platnými zákony. Pokud je výrobek vadný, kontaktujte svého specializovaného prodejce nebo pobočku výrobce ve vaší zemi (adresy jsou uvedeny na zadní straně návodu).

K provedení opravy nebo záručního servisu musíte zaslat následující dokumentaci:

- kopii účtu s datem zakoupení,
- uvedení důvodu reklamace nebo popis vady.

10 Odstranjevanje

- ▶ Embalažni material odložite na primernem mestu za zbiranje odpadkov za reciklažo.




Ko dokončno prenehate uporabljati napravo in jo nameravate zavreči, se o veljavnih okoljskih predpisih posvetujte z najbližjim središčem za zbiranje odpadkov za reciklažo ali pri svojem trgovcu.

11 Tehnični podatki

PerfectWall PW1000					
Širina:	2,6 m	3 m	3,5 m	4 m	4,5 m
Izvlak:	2 m	2,5 m			
Masa:	18,6 kg	21 kg	24 kg	27 kg	30 kg

PerfectWall PW1500				
Širina:	1,5 m	2,6 m	3 m	3,5 m
Izvlak:	1 m	2 m	2,5 m	2,5 m / 2,75 m
Masa:	12 kg	18 kg	21 kg	24 kg

PerfectWall PW1500				
Širina:	4 m	4,5 m	5 m	5,5 m
Izvlak:	2,5 m / 2,75 m			
Masa:	27 kg	30 kg	33 kg	36 kg

12-voltni motor	
Priključna napetost:	12 V _{DC} (11 – 15 V)
Jakost električnega toka:	7 A
Izhodna moč:	84 W
Navor:	35 Nm
Preverjanje/certifikat:	



ΠΡΟΕΙΔΟΠΟΙΗΣΗ!

- Αυτό το εγχειρίδιο οδηγιών θα πρέπει να το μελετήσετε και να το κατανοήσετε πριν από τη χρήση, τον καθαρισμό και τη συντήρηση.
- Η τοποθέτηση αυτού του προϊόντος πρέπει να γίνεται από ειδικό. Η λανθασμένη τοποθέτηση μπορεί να έχει ως αποτέλεσμα σοβαρούς τραυματισμούς. Οι μετατροπές στο προϊόν μπορεί να αποβούν ιδιαίτερα επικίνδυνες και να προκαλέσουν σοβαρούς τραυματισμούς και ζημιές στη συσκευή.
- Αυτό το εγχειρίδιο πρέπει να παραμείνει στο προϊόν. Ο ιδιοκτήτης πρέπει να το μελετήσει προσεκτικά.

Περιεχόμενα

1	Υποδείξεις για τη χρήση του εγχειριδίου	218
2	Υποδείξεις ασφαλείας	218
3	Περιεχόμενα συσκευασίας	221
4	Πρόσθετος εξοπλισμός	221
5	Προβλεπόμενη χρήση	221
6	Τεχνική περιγραφή	221
7	Χειρισμός της τέντας	222
8	Καθαρισμός και φροντίδα	227
9	Εγγύηση	230
10	Ανακύκλωση	230
11	Τεχνικά χαρακτηριστικά	231

1 Υποδείξεις για τη χρήση του εγχειριδίου



ΠΡΟΕΙΔΟΠΟΙΗΣΗ!

Υπόδειξη ασφαλείας: Η μη τήρηση μπορεί να έχει ως αποτέλεσμα θάνατο ή σοβαρούς τραυματισμούς.



ΠΡΟΣΟΧΗ!

Η μη τήρηση μπορεί να έχει ως αποτέλεσμα ύλικές ζημιές και επιπτώσεις στη λειτουργία του προϊόντος.



ΥΠΟΔΕΙΞΗ

Συμπληρωματικά στοιχεία για το χειρισμό του προϊόντος.

2 Υποδείξεις ασφαλείας

Τηρείτε τις προβλεπόμενες οδηγίες και προϋποθέσεις ασφαλείας που καθορίζει ο κατασκευαστής του οχήματος και που ισχύουν για τα συνεργεία αυτοκινήτων!

Στις παρακάτω περιπτώσεις ο κατασκευαστής δεν αναλαμβάνει καμία ευθύνη για ζημιές:

- Φθορές στο προϊόν από μηχανικές επιδράσεις και υπέρταση
- Μετατροπές στο προϊόν χωρίς τη ρητή άδεια του κατασκευαστή
- Χρήση για άλλους σκοπούς από ότι περιγράφεται στις οδηγίες

Προσέχετε τις παρακάτω προειδοποιήσεις:



ΠΡΟΕΙΔΟΠΟΙΗΣΗ!

- Πριν ξεκινήσετε την οδήγηση να ελέγχετε αν η τέντα έχει κλείσει τελείως. Μην μετακινείτε ποτέ το όχημα με την τέντα ανοιγμένη.
- Μην οδηγείτε ποτέ με τημανιβέλα κρεμασμένη. Αφαιρείτε πάντα τημανιβέλα πριν ξεκινήσετε το όχημα.

- Μην οδηγείτε το όχημα αν το πανί έχει πάθει ζημιές ή έχει σκιστεί, ακόμα κι αν η τέντα είναι κλεισμένη σωστά! Οι βραχίονες της τέντας συγκρατούνται από το πανί. Εάν το πανί σκιστεί κατά τη διάρκεια της πορείας, η τέντα θα πεταχτεί ξαφνικά προς τα έξω. Αυτό μπορεί να έχει ως αποτέλεσμα σοβαρούς τραυματισμούς. Στερεώνετε την τέντα έτσι ώστε να μην μπορεί να ανοίξει απότομα και απρόσμενα κατά την οδήγηση.
- **Μην** ανοίγετε την τέντα κατά τη διάρκεια της οδήγησης.
- **Μην** ανοίγετε την τέντα όταν πνέουν ισχυροί άνεμοι ή όταν πέφτει χιόνι.
- Όταν αναμένονται ισχυροί άνεμοι, δυνατή βροχή ή χιονόπτωση κλείνετε την τέντα.
- Προσέξτε να μη μαζευτεί νερό ή πάγος πάνω στο πανί. Διαφορετικά η τέντα μπορεί να πάθει ζημιά ή να σπάσουν οι βραχίονές της και να προκληθούν έτσι σοβαροί τραυματισμοί.
- Μην πλησιάζετε την τέντα
 - αν έμεινε ανοικτή ενώ πνέουν ισχυροί άνεμοι,
 - αν επάνω της έχουν σχηματιστεί λιμνούλες νερού,
 - αν έχει συσσωρευτεί χιόνι,
 - αν πάνω στην τέντα υπάρχουν μεγάλα ξένα σώματα.Σε τέτοια περίπτωση η τέντα μπορεί να μετακινηθεί απρόσμενα, να γίνει ασταθής και να στραβώσει ή να σπάσει.
- Μην αφήνετε ανεπιτήρητη την τέντα όταν είναι ανοιγμένη. Κλείνετε την τέντα όταν φεύγετε από το χώρο στάθμευσης.
- Κρατάτε αποστάσεις ασφαλείας από την τέντα όταν χρησιμοποιείτε γκριλ και ακάλυπτη φωτιά. Το πανί μπορεί να υποστεί ζημιές από τη θερμότητα ή να πιάσει φωτιά.
- Αυτήν τη συσκευή μπορούν να την χρησιμοποιούν παιδιά από 8 ετών και άνω καθώς και άτομα με μειωμένες φυσικές, αισθητηριακές ή διανοητικές ικανότητες ή χωρίς εμπειρία και γνώσεις, εφόσον επιτηρούνται ή εφόσον κατατοπίστηκαν σχετικά με την ασφαλή χρήση της συσκευής και εφόσον καταλαβαίνουν τους πιθανούς κινδύνους.
- Θα πρέπει να προσέχετε ώστε τα παιδιά να μην παίζουν με τη συσκευή.

**ΠΡΟΣΟΧΗ!**

- Παρκάρετε το τροχόσπιτο έτσι ώστε πάνω στο τεντόπανο να μην μπορούν να πέσουν ξένα σώματα (κλαδιά, φύλλα κλπ.).
- Το πανί της τέντας δεν επιτρέπεται να κρέμεται κάνοντας κοιλιά στα άκρα, αλλά πρέπει να είναι πάντα τεντωμένο. Εάν το πανί κάνει «κοιλιά», θα τρίβεται στους βραχίονες και θα φθαρεί. Σε μακριές τέντες το πανί δεν επιτρέπεται να κάνει «κοιλιά» στη μέση.
- Κλείνετε την τέντα μόνο εφόσον δεν υπάρχουν ξένα σώματα πάνω στο τεντόπανο (κλαδιά, φύλλα κλπ.). Διαφορετικά κατά το κλείσιμο η τέντα μπορεί να χαλάσει.
- Πάνω στην τέντα δεν πρέπει να υπάρχουν ξένα σώματα, ώστε να αποφεύγονται τα γδαρσίματα, οι λεκέδες και η μούχλα.
- Κλείνετε τελείως την τέντα όταν είναι υγρή μόνο για λόγους ασφαλείας. Ανοίξτε την πάλι αμέσως μόλις θα επιτρέπεται. Διαφορετικά μπορεί να σχηματιστούν σημεία μούχλας ή λεκέδες, και το χρώμα μπορεί να ξεβάψει.
- Μην λυγίζετε ποτέ προς τα κάτω τους βραχίονες της τέντας ή το κάλυμμα για να φύγει το νερό πάνω από την τέντα. Η τέντα μπορεί έτσι να στραβώσει και να μη λειτουργεί πλέον σωστά.
- Μην κρεμάτε αντικείμενα πάνω στην τέντα, ούτε στο μπροστινό κάλυμμα, ούτε στους βραχίονες.
- Μην χρησιμοποιείτε σπρέι (π.χ. εντομοκτόνα ή σπρέι μαλλιών) κοντά στην τέντα. Το πανί μπορεί να λερωθεί, ή να υποστεί ζημιές η επιφάνειά του και να χάσει την αδιάβροχη ιδιότητά της.
- Αν μετά την τοποθέτηση της τέντας δεν υπάρχει επαρκής ελεύθερος χώρος πάνω από την πόρτα, η πόρτα θα πρέπει να παραμένει κλειστή κατά το άνοιγμα ή το κλείσιμο της τέντας, ώστε να αποτραπεί η επαφή της πόρτας με τους βραχίονες ή την μπροστινή ράβδο.
Ο απαιτούμενος ελεύθερος χώρος εξαρτάται από τον τύπο της πόρτας (πλάτος πόρτας, στρεφόμενη ή συρόμενη πόρτα), καθώς και από τη ρυθμισμένη γωνία κλίσης της τέντας.

3 Περιεχόμενα συσκευασίας

Ποσότητα	Ονομασία
1	Τέντα
1	Οδηγίες χειρισμού
1	Οδηγίες τοποθέτησης

4 Πρόσθετος εξοπλισμός

Διαθέσιμος πρόσθετος εξοπλισμός (δεν περιλαμβάνεται στη συσκευασία):

Ονομασία	Κωδικός
Dometic Light LK120 Φωτισμός LED με τηλεχειριστήριο για τοποθέτηση στους βραχίονες της τέντας	9106504018
Tie Down Kit Ιμάντες για στερέωση της τέντας	9103104000

5 Προβλεπόμενη χρήση

Οι τέντες PerfectWall PW 1000 και PW 1500 είναι κατάλληλες για τοποθέτηση σε αυτοκινούμενα ή συρόμενα τροχόσπιτα.

Οι τέντες επιτρέπεται να χρησιμοποιούνται μόνο όσο το όχημα είναι σταθμευμένο.

6 Τεχνική περιγραφή

Οι PerfectWall PW 1000 και PW 1500 είναι τέντες που μπορούν να ανοίγουν και να κλείνουν με τη βοήθεια μανιβέλας.

Η τέντα PerfectWall PW 1500 μπορεί επίσης να ανοίγει και να κλείνει με ένα μοτέρ 12-V.

Οι τέντες στερεώνονται με υποστηρίγματα στον τοίχο του οχήματος ή στο δάπεδο.

7 Χειρισμός της τέντας

Τηρείτε επίσης τις οδηγίες ασφαλείας που υπάρχουν στο κεφάλαιο «Υποδείξεις ασφαλείας» στη σελίδα 218!

7.1 Υποδείξεις για τη θέση του οχήματος



ΠΡΟΣΟΧΗ!

- Παρκάρετε το όχημα κατά τέτοιον τρόπο, ώστε πάνω στο τεντόπανο να μην μπορούν να πέσουν ξένα σώματα (κλαδιά, φύλλα κλπ.).
- Πάνω στην τέντα δεν πρέπει να υπάρχουν ξένα σώματα, ώστε να αποφεύγονται τα γδαρσίματα, οι λεκέδες και η μούχλα.

7.2 Άνοιγμα της τέντας

Άνοιγμα τέντας με μανιβέλα



ΠΡΟΕΙΔΟΠΟΙΗΣΗ! Κίνδυνος τραυματισμού!

Κρατάτε αρκετή απόσταση από αντικείμενα και από τα άλλα οχήματα. Μετά το άνοιγμα της τέντας θα πρέπει να υπάρχει γύρω της προς τα άλλα αντικείμενα ή οχήματα μια ελάχιστη απόσταση 40 cm.

- Στερεώνετε τη μανιβέλα στην υποδοχή της τέντας (σχ. **1**, σελίδα 2).
- Γυρίστε τη μανιβέλα ώσπου η τέντα να ανοίξει περίπου 1,5 m (σχ. **2**, σελίδα 2).
- Σπρώξτε το δεξιό στήριγμα τελείως μέσα στο μπροστινό διάφραγμα ώστε να μπορείτε να το κινείτε ελεύθερα (σχ. **4**, σελίδα 3).
- Στρέψτε το δεξιό στήριγμα στο πλάι (σχ. **4**, σελίδα 3).
- Γυρίστε το δεξιό στήριγμα προς τα κάτω και στηρίξτε το στο δάπεδο (σχ. **5**, σελίδα 4).
- Ρυθμίστε το στήριγμα στο επιθυμητό ύψος (σχ. **7**, σελίδα 4).
- Διπλώστε το μοχλό του στηρίγματος προς τα πάνω ώστε να σταθεροποιήσετε το στήριγμα (σχ. **7**, σελίδα 4).
- Ανοίξτε και το άλλο υποστήριγμα με τον ίδιο τρόπο.

- ▶ Γυρίστε τημανιβέλα ώσπου η τέντα να ανοίξει στην επιθυμητή θέση. Κάθε 30 cm στερεώνετε πάλι τα υποστηρίγματα κατακόρυφα κάτω από το μπροστινό διάφραγμα έτσι ώστε η τέντα να στέκεται σταθερά.
- ▶ Γυρίστε τημανιβέλα κατά 1/4 μιας περιστροφής προς τα πίσω, για να τεντωθεί το πανί.



ΠΡΟΣΟΧΗ! Κίνδυνος ζημιάς!

Το πανί της τέντας δεν επιτρέπεται να κρέμεται κάνοντας κοιλιά στα άκρα, αλλά πρέπει να είναι πάντα τεντωμένο. Εάν το πανί κρέμεται, θα τρίβεται στους βραχίονες και θα φθαρεί. Σε μακριές τέντες το πανί δεν επιτρέπεται να κάνει «κοιλιά» στη μέση.

- ▶ Βγάλτε τημανιβέλα από την υποδοχή της τέντας.

Άνοιγμα τέντας με μοτέρ 12-V (μόνο η PW1500)



ΠΡΟΕΙΔΟΠΟΙΗΣΗ! Κίνδυνος τραυματισμού!

Κρατάτε αρκετή απόσταση από αντικείμενα και από τα άλλα οχήματα. Μετά το άνοιγμα της τέντας θα πρέπει να υπάρχει γύρω της προς τα άλλα αντικείμενα ή οχήματα μια ελάχιστη απόσταση 40 cm.

- ▶ Πατήστε το διακόπτη του μοτέρ 12-V ώσπου η τέντα να ανοίξει περίπου 1,5 m (σχ. **3**, σελίδα 3).
- ▶ Σπρώξτε το δεξιό στήριγμα τελείως μέσα στο μπροστινό διάφραγμα ώστε να μπορείτε να το κινείτε ελεύθερα (σχ. **4**, σελίδα 3).
- ▶ Στρέψτε το δεξιό στήριγμα στο πλάι (σχ. **4**, σελίδα 3).
- ▶ Γυρίστε το δεξιό στήριγμα προς τα κάτω και στηρίξτε το στο δάπεδο (σχ. **5**, σελίδα 4).
- ▶ Ρυθμίστε το στήριγμα στο επιθυμητό ύψος (σχ. **6**, σελίδα 4).
- ▶ Διπλώστε το μοχλό του στηρίγματος προς τα πάνω ώστε να σταθεροποιήσετε το στήριγμα (σχ. **7**, σελίδα 4).
- ▶ Ανοίξτε και το άλλο υποστήριγμα με τον ίδιο τρόπο.
- ▶ Πατήστε το διακόπτη του μοτέρ 12-V ώσπου η τέντα να ανοίξει στη θέση που θέλετε. Κάθε 30 cm στερεώνετε πάλι τα υποστηρίγματα κατακόρυφα κάτω από το μπροστινό διάφραγμα έτσι ώστε η τέντα να στέκεται σταθερά.

- ▶ Πατήστε το διακόπτη του μοτέρ 12-V ώστε η τέντα να κλείσει τόσο μέχρι που το πανί να είναι τεντωμένο.

**ΠΡΟΣΟΧΗ! Κίνδυνος ζημιάς!**

Το πανί της τέντας δεν επιτρέπεται να κρέμεται κάνοντας κοιλιά στα άκρα, αλλά πρέπει να είναι πάντα τεντωμένο. Εάν το πανί κρέμεται, θα τρίβεται στους βραχίονες και θα φθαρεί. Σε μακριές τέντες το πανί δεν επιτρέπεται να κάνει «κοιλιά» στη μέση.

Τοποθέτηση υποστηριγμάτων στο δάπεδο**ΠΡΟΕΙΔΟΠΟΙΗΣΗ! Κίνδυνος τραυματισμού**

- Τα υποστηρίγματα πρέπει να πατούν μόνο πάνω σε σταθερό έδαφος.
- Σταθεροποιήστε τα υποστηρίγματα ώστε να μην γλιστρήσουν.

- ▶ Τοποθετήστε τα υποστηρίγματα κατακόρυφα κάτω από το μπροστινό διάφραγμα.
- ▶ Σταθεροποιήστε τα υποστηρίγματα με πασσαλάκια (σχ. **8**, σελίδα 4).
- ▶ Το ένα στήριγμα θα πρέπει να είναι πιο χαμηλό ώστε το μπροστινό διάφραγμα να έχει ελαφριά κλίση. Έτσι η βροχή θα μπορεί να φεύγει καλύτερα (σχ. **9**, σελίδα 5).

Στερέωση υποστηριγμάτων στο όχημα

Μπορείτε να στερεώσετε την τέντα κατευθείαν στο όχημα, αν προηγούμενα τοποθετήσετε τις ασφάλειες για τα υποστηρίγματα.

- ▶ Σπρώξτε τα καλύμματα των ασφαλειών προς τα πάνω (σχ. **10**, σελίδα 5).
- ▶ Κρεμάστε τα υποστηρίγματα στις ασφάλειες (σχ. **10**, σελίδα 5).
- ▶ Σπρώξτε τα καλύμματα των ασφαλειών προς τα κάτω (σχ. **10**, σελίδα 5).
- ▶ Το ένα στήριγμα θα πρέπει να είναι πιο χαμηλό ώστε το μπροστινό διάφραγμα να έχει ελαφριά κλίση. Έτσι η βροχή θα μπορεί να φεύγει καλύτερα (σχ. **11**, σελίδα 5).

Τοποθέτηση της ράβδου τεντώματος

Σε τέντες με μήκος από 4 m και πάνω θα πρέπει στο μέσον της τέντας να τοποθετείται μια ράβδος τεντώματος. Έτσι η τέντα δεν θα μπορεί να κάνει «κοιλιά».

- Συναρμολογήστε την ράβδο τεντώματος (σχ. **12**, σελίδα 6).
- Στερεώστε το πάνω άκρο της ράβδου στην αντίστοιχη υποδοχή στο περίβλημα (σχ. **12**, σελίδα 6).
- Σπρώξτε το άλλο άκρο της ράβδου στην αντίστοιχη υποδοχή στο μπροστινό διάφραγμα (σχ. **12**, σελίδα 6).

7.3 Κλείσιμο της τέντας



ΠΡΟΣΟΧΗ!

- Κλείνετε την τέντα μόνο εφόσον δεν υπάρχουν ξένα σώματα πάνω στο τεντόπανο (κλαδιά, φύλλα κλπ.). Διαφορετικά μπορεί κατά το κλείσιμο η τέντα να πάθει ζημιά.
- Πάνω στην τέντα δεν πρέπει να υπάρχουν ξένα σώματα, ώστε να αποφεύγονται τα γδαρσίματα, οι λεκέδες και η μούχλα.
- Κατά το κλείσιμο της τέντας προσέχετε να μη μαγκώσουν κλαδιά ή άλλα αντικείμενα.

- Απομακρύνετε τα ξένα σώματα (κλαδιά, φύλλα κλπ.) πάνω από το τεντόπανο.
- Λύστε τα υποστηρίγματα (πασσαλάκια ή ασφάλειες στο όχημα).

Κλείσιμο τέντας με μανιβέλα

- Στερεώστε το πάνω άκρο της μανιβέλας στην υποδοχή της τέντας.
- Γυρίστε τη μανιβέλα ώσπου η τέντα να είναι ανοιγμένη περίπου μόνο 1,5 m. Κάθε 30 cm στερεώνετε πάλι τα υποστηρίγματα κατακόρυφα κάτω από το μπροστινό διάφραγμα έτσι ώστε η τέντα να στέκεται σταθερά.
- Διπλώστε το μοχλό του δεξιού στηρίγματος προς τα κάτω ώστε να λύσετε το στήριγμα.
- Σπρώξτε το στήριγμα τελείως μέσα.
- Αναδιπλώστε το δεξιό στήριγμα προς τα πάνω.
- Στρέψτε το δεξιό στήριγμα μέσα στο μπροστινό διάφραγμα.

- Σπρώξτε το κάτω τμήμα του δεξιού στηρίγματος μέσα στην ασφάλεια του μπροστινού διαφράγματος.
- Κλείστε και το άλλο στήριγμα με τον ίδιο τρόπο.
- Γυρίστε τημανιβέλα ώσπου η τέντα να κλείσει τελείως.
- Πριν ξεκινήσετε, βεβαιωθείτε ότι η τέντα έχει κλείσει τελείως. Το μπροστινό κάλυμμα πρέπει να εφαρμόζει καλά πάνω στο περίβλημα.
- Βγάλτε τημανιβέλα από την υποδοχή της τέντας.

**ΠΡΟΣΟΧΗ! Κίνδυνος ζημιάς!**

Αν κλείσατε την τέντα ενώ ήταν υγρή, ανοίξτε την με την πρώτη ευκαιρία και αφήστε το πανί να στεγνώσει. Εάν το πανί μείνει για μεγαλύτερο χρονικό διάστημα τυλιγμένο σε υγρή κατάσταση, θα σκληρύνει και θα ξεθωριάσει.

Κλείσιμο τέντας με μοτέρ 12-V (μόνο η PW1500)

- Πατήστε το διακόπτη του μοτέρ 12-V ώσπου η τέντα να είναι ακόμη ανοιγμένη περίπου 1,5 m. Κάθε 30 cm στερεώνετε πάλι τα υποστηρίγματα κατακόρυφα κάτω από το μπροστινό διάφραγμα έτσι ώστε η τέντα να στέκεται σταθερά.
- Διπλώστε το μοχλό του δεξιού στηρίγματος προς τα κάτω ώστε να λύσετε το στήριγμα.
- Σπρώξτε το στήριγμα τελείως μέσα.
- Αναδιπλώστε το δεξιό στήριγμα προς τα πάνω.
- Στρέψτε το δεξιό στήριγμα μέσα στο μπροστινό διάφραγμα.
- Σπρώξτε το κάτω τμήμα του δεξιού στηρίγματος μέσα στην ασφάλεια του μπροστινού διαφράγματος.
- Κλείστε και το άλλο στήριγμα με τον ίδιο τρόπο.
- Πατήστε το διακόπτη του μοτέρ 12-V μέχρι που η τέντα να κλείσει τελείως.
- Πριν ξεκινήσετε, βεβαιωθείτε ότι η τέντα έχει κλείσει τελείως. Το μπροστινό κάλυμμα πρέπει να εφαρμόζει καλά πάνω στο περίβλημα.

**ΠΡΟΣΟΧΗ! Κίνδυνος ζημιάς!**

Αν κλείσατε την τέντα ενώ ήταν υγρή, ανοίξτε την με την πρώτη ευκαιρία και αφήστε το πανί να στεγνώσει. Εάν το πανί μείνει για μεγαλύτερο χρονικό διάστημα τυλιγμένο σε υγρή κατάσταση, θα σκληρύνει και θα ξεθωριάσει.

7.4 Ρύθμιση μοτέρ 12-V (προαιρετικά)



ΥΠΟΔΕΙΞΗ

Το μοτέρ 12-V είναι στερεωμένο στον άξονα του τεντόπανου.

Αν η τέντα δεν μπορεί πλέον να κλείσει ή να ανοίξει τελείως, ρυθμίστε το μοτέρ 12-V (σχ. **13**, σελίδα 6).

8 Καθαρισμός και φροντίδα

8.1 Καθαρισμός



ΠΡΟΣΟΧΗ! Κίνδυνος ζημιάς!

- Μην καθαρίζετε **ποτέ** την τέντα με συσκευή νερού υψηλής πίεσης.
- Μη χρησιμοποιείτε για τον καθαρισμό καυστικά καθαριστικά μέσα ή σκληρά αντικείμενα, διότι μπορεί να προξενήσουν ζημιά.

- Αφαιρέστε κάθε ξένο σώμα (κλαδιά, φύλλα κλπ.) πάνω από το τεντόπανο ώστε να αποτρέψετε γδαρσίματα, λεκέδες καθώς και τη δημιουργία μούχλας. Εξάλλου μπορούν να προκληθούν ζημιές στην τέντα κατά το κλείσιμο.
- Καθαρίζετε το τεντόπανο τακτικά για να φεύγουν οι σκόνες και οι βρομιές:
 - Για το σκοπό αυτό χρησιμοποιείτε 30 g απορρυπαντικό και 30 g λευκαντικό σε 10 λίτρα νερό.
 - Σαπουνίστε με αυτό το πανί και αφήστε το υγρό καθαρισμού να επιδράσει για πέντε λεπτά.
 - Ξεπλύνετε καλά με καθαρό νερό.
 Βεβαιωθείτε ότι έχει ξεπλυθεί τελείως το υγρό καθαρισμού με το λευκαντικό. Διαφορετικά το τεντόπανο μπορεί να χαλάσει.
 - Αφήστε το τεντόπανο να στεγνώσει.



ΥΠΟΔΕΙΞΗ

Ο κατασκευαστής συνιστά:

- Για καθαρισμό του τεντόπανου χρησιμοποιείτε το καθαριστικό τεντών Clean&Care (κωδικός 9103501116, διατίθεται από το κατάστημα αγοράς).

8.2 Λίπανση

- ▶ Αν χρειάζεται, λιπαίνετε τις αρθρώσεις της τέντας με κερι παραφίνης ή με λάδι τεφλόν ή σιλικόνης.

8.3 Έλεγχος



ΠΡΟΕΙΔΟΠΟΙΗΣΗ!

Αν χρειάζονται ρυθμίσεις ή επισκευές μη χρησιμοποιείτε την τέντα.

Εάν διαπιστώσετε ζημιές, απευθυνθείτε στο τμήμα εξυπηρέτησης πελατών στη χώρα σας (οι διευθύνσεις υπάρχουν στην πίσω πλευρά των οδηγιών).

- ▶ Ελέγχετε την τέντα τακτικά για τυχόν φθορά, κακή κατανομή φορτίου καθώς και για ζημιές σε σημαντικά εξαρτήματα.
- ▶ Ελέγχετε τακτικά την τέντα:
 - Είναι ανέπαφο το πανί;
 - Είναι ανέπαφοι οι βραχίονες και το μπροστινό κάλυμμα, ή παρουσιάζουν σημάδια φθοράς;
 - Κλείνει σωστά η τέντα;

8.4 Πρόσθετο σφίξιμο των βιδών στις αρθρώσεις ώμων

Μετά τις πρώτες καταπονήσεις θα πρέπει να σφίξετε τις βίδες στις αρθρώσεις ώμου:

- Μετά από τις διακοπές σας όπου χρησιμοποιήσατε την τέντα για πρώτη φορά
- Μετά από οδήγηση 20.000 χλμ. ή έξι μήνες μετά την τοποθέτηση της τέντας (ανάλογα με το τι θα συμβεί πρώτο)

Επιπλέον οι βίδες στην άρθρωση ώμου πρέπει να ελέγχονται κατά την τακτική επιθεώρηση του οχήματος.

Για το σφίξιμο των βιδών απευθυνθείτε στο τμήμα εξυπηρέτησης πελατών.

Οδηγίες για το σέρβις (σχ. 14, σελίδα 6)**ΠΡΟΣΟΧΗ!**

Οι βραχίονες της τέντας δεν θα πρέπει να φέρουν φορτίο, ώστε να μην παραποιείται η ροπή σύσφιξης των βιδών.

- Αнуψώστε ελαφρώς το μπροστινό κάλυμμα, ώστε να μην φέρουν φορτίο οι αρθρώσεις.
- Σφίξτε πάλι τις βίδες με ροπή 15 – 25 Nm.

8.5 Μπάλωμα μικρών τρυπών στο πανί

Τις μικρές τρύπες στο πανί ή σε σημεία στα οποία έχει αρχίσει να διαλύεται η επίστρωση, μπορείτε να τα μπαλώσετε μόνοι σας:

- Με ένα βαμβακερό πανί επαλείψτε γύρω από το σημείο που χάλασε μια μικρή ποσότητα κόλλας βινυλίου σε υγρή μορφή (κωδικός 9103104018, διατίθεται από το τμήμα σέρβις).
- ✓ Η υγρή κόλλα επιδρά αποσυνθετικά πάνω στην επίστρωση. Κατά το στέγνωμα η επίστρωση κλείνει την τρύπα.
- Πριν κλείσετε την τέντα περιμένετε να στεγνώσει εντελώς το συγκεκριμένο σημείο του πανιού.

9 Εγγύηση

Ισχύει η νόμιμη διάρκεια εγγύησης. Εάν το προϊόν έχει ελαττώματα, απευθυνθείτε στο κατάστημα που το αγοράσατε ή στην αντιπροσωπεία του κατασκευαστή στη χώρα σας (διευθύνσεις βλέπε στην πίσω πλευρά των οδηγιών).

Για την επεξεργασία της επισκευής ή αντίστοιχα της εγγύησης απαιτούνται τα εξής έγγραφα:

- Ένα αντίγραφο της απόδειξης αγοράς με την ημερομηνία αγοράς,
- το λόγο για την υποβολή των παραπόνων ή μια περιγραφή του σφάλματος.

10 Ανακύκλωση

- Αν είναι εφικτό να απορρίπτετε τα υλικά συσκευασίας στους αντίστοιχους κάδους ανακύκλωσης.




Εάν η συσκευή τεθεί οριστικά εκτός λειτουργίας, ενημερωθείτε στο κοντινότερο κέντρο ανακύκλωσης ή στα ειδικά καταστήματα για τους σχετικούς κανονισμούς απόρριψης.

11 Τεχνικά χαρακτηριστικά

	PerfectWall PW1000				
Πλάτος:	2,6 m	3 m	3,5 m	4 m	4,5 m
Έκπτυξη:	2 m	2,5 m			
Βάρος:	18,6 kg	21 kg	24 kg	27 kg	30 kg

	PerfectWall PW1500			
Πλάτος:	1,5 m	2,6 m	3 m	3,5 m
Έκπτυξη:	1 m	2 m	2,5 m	2,5 m / 2,75 m
Βάρος:	12 kg	18 kg	21 kg	24 kg

	PerfectWall PW1500			
Πλάτος:	4 m	4,5 m	5 m	5,5 m
Έκπτυξη:	2,5 m / 2,75 m			
Βάρος:	27 kg	30 kg	33 kg	36 kg

	Μοτέρ 12-V
Ηλεκτρική τάση:	12 V _{DC} (11 – 15 V)
Ένταση ρεύματος:	7 A
Ισχύς εξόδου:	84 W
Ροπή:	35 Nm
Έλεγχος / πιστοποιητικό:	

Mobile living made easy.



dometic.com

**YOUR LOCAL
DEALER**

dometic.com/dealer

**YOUR LOCAL
SUPPORT**

dometic.com/contact

**YOUR LOCAL
SALES OFFICE**

dometic.com/sales-offices

A complete list of Dometic companies, which comprise the Dometic Group, can be found in the public filings of:
DOMETIC GROUP AB Hemvärnsgatan 15 SE-17154 Solna Sweden