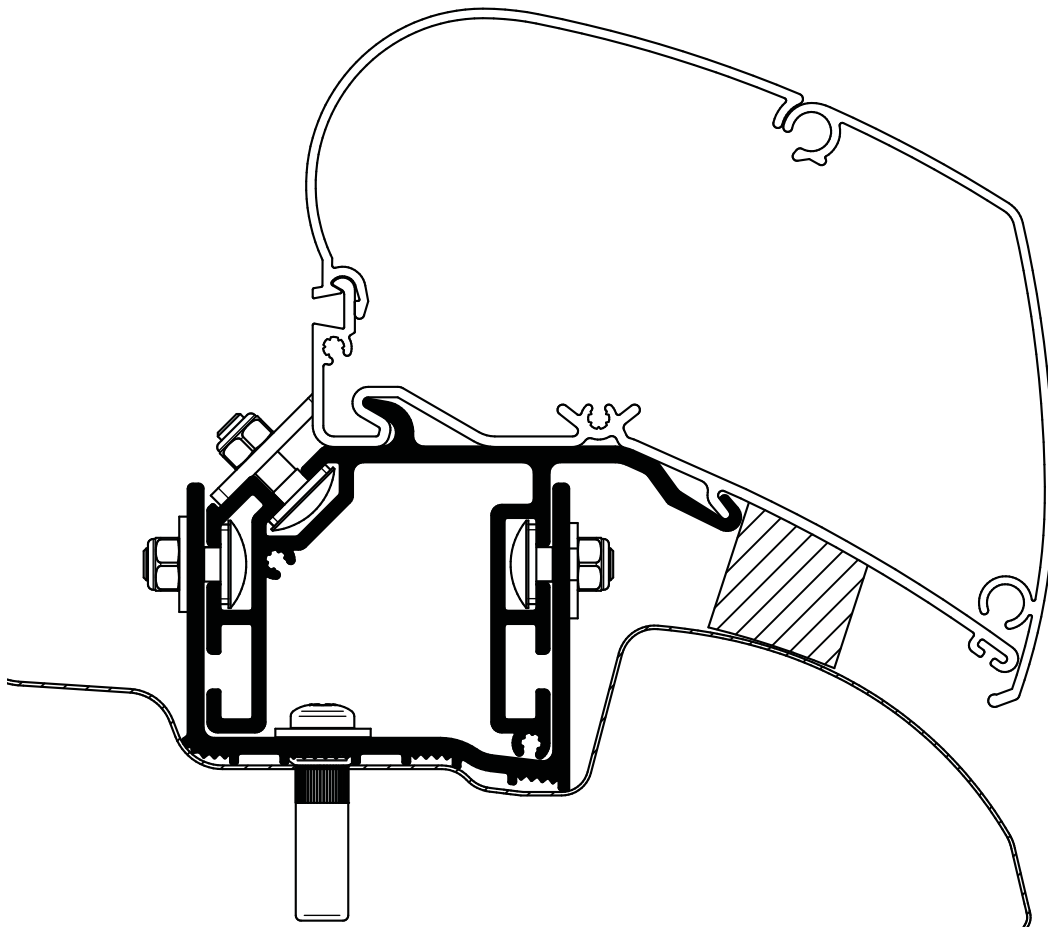
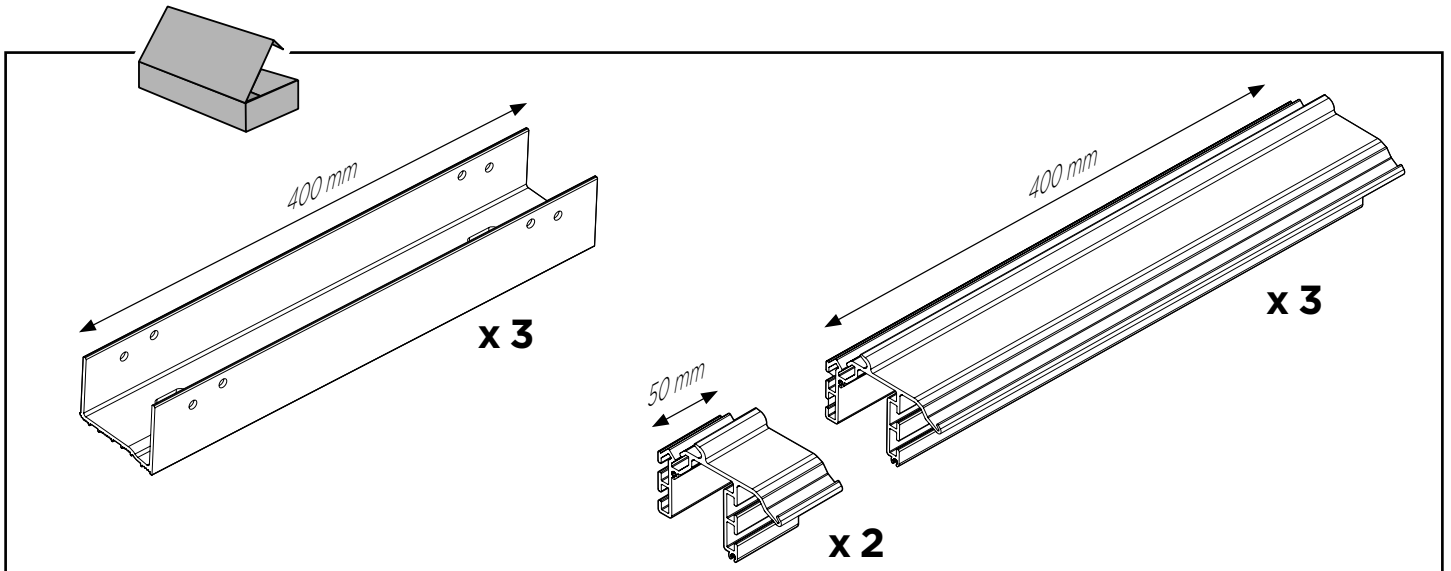
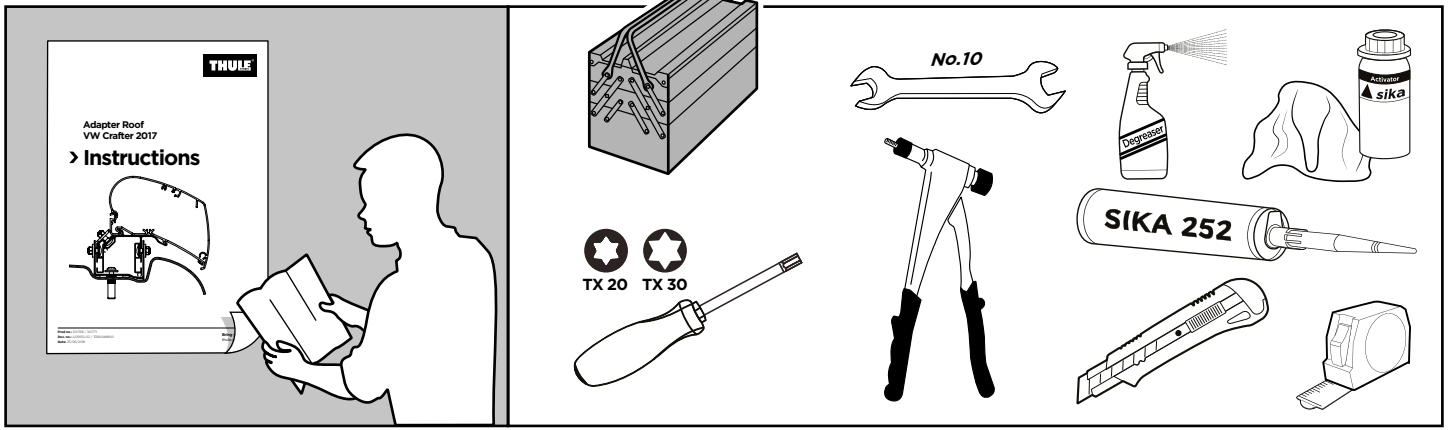


Adapter Roof VW Crafter 2017

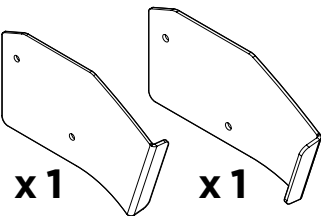
➤ Instructions





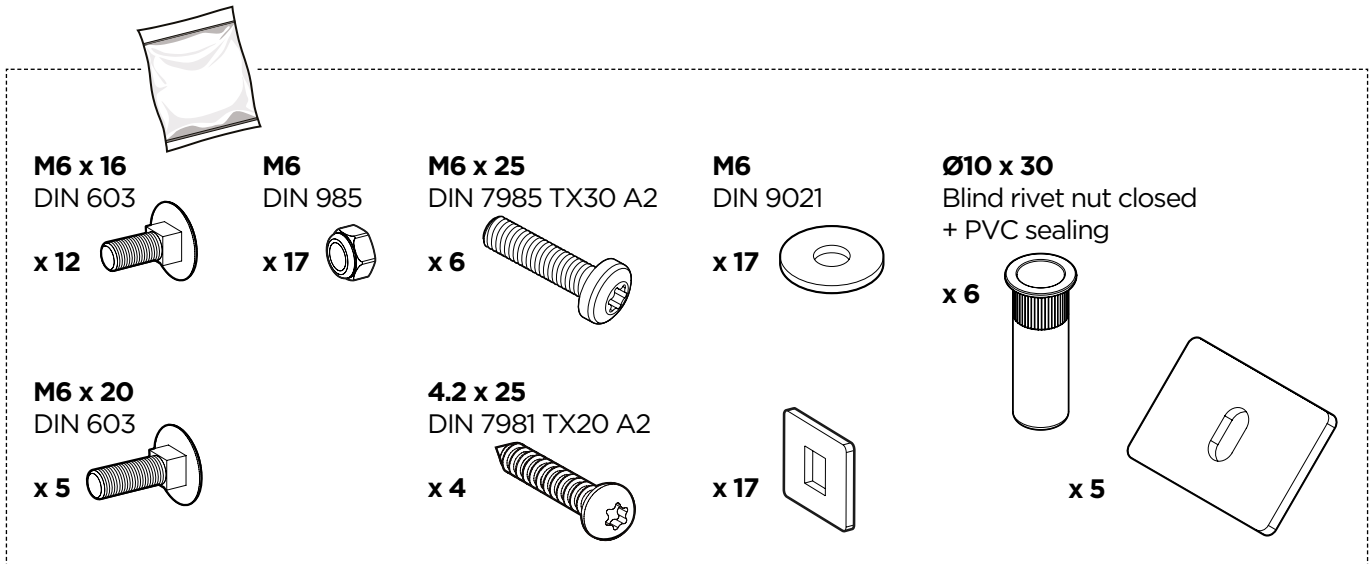
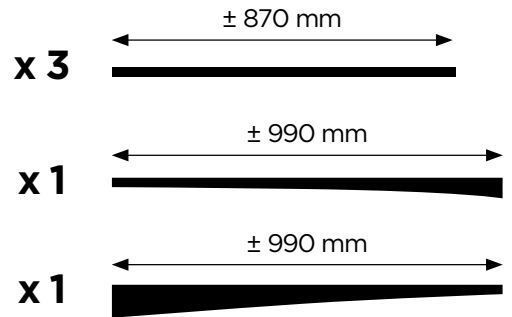
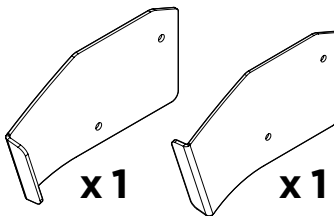
LHD 301768

LEFT RIGHT



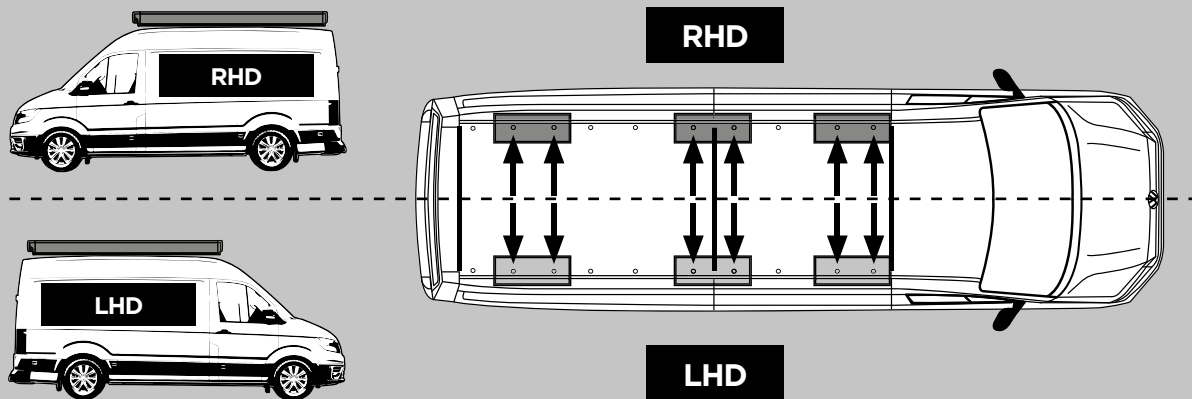
RHD 301771

LEFT RIGHT



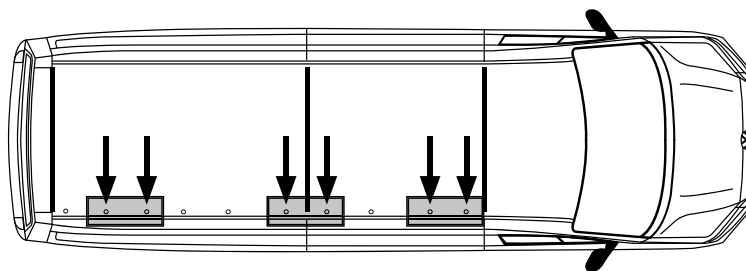
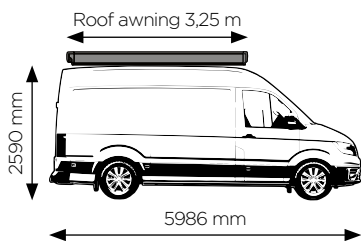
i

RIGHT HAND DRIVE (RHD) is **MIRROR** of LEFT HAND DRIVE (LHD)



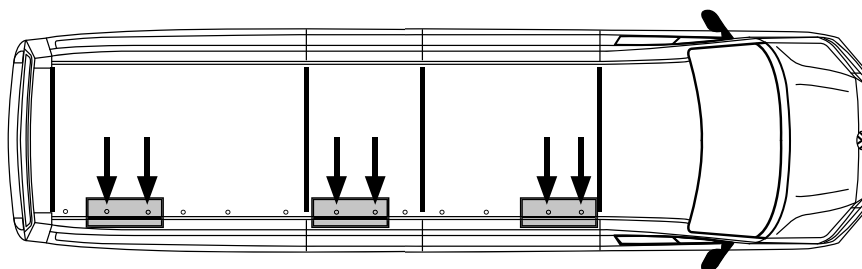
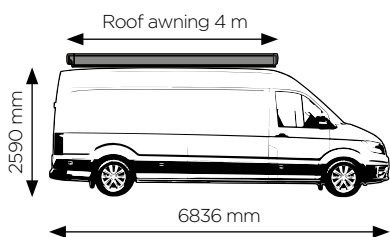
! IN THIS MANUAL **LEFT HAND DRIVE (LHD)** IS SHOWN BY **DEFAULT**

L3H3



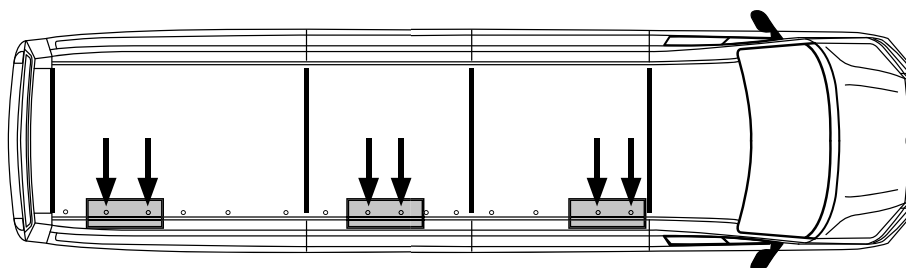
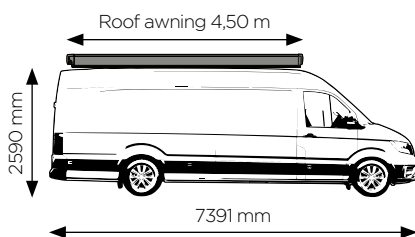
use **6/10** roof fixation points

L4H3

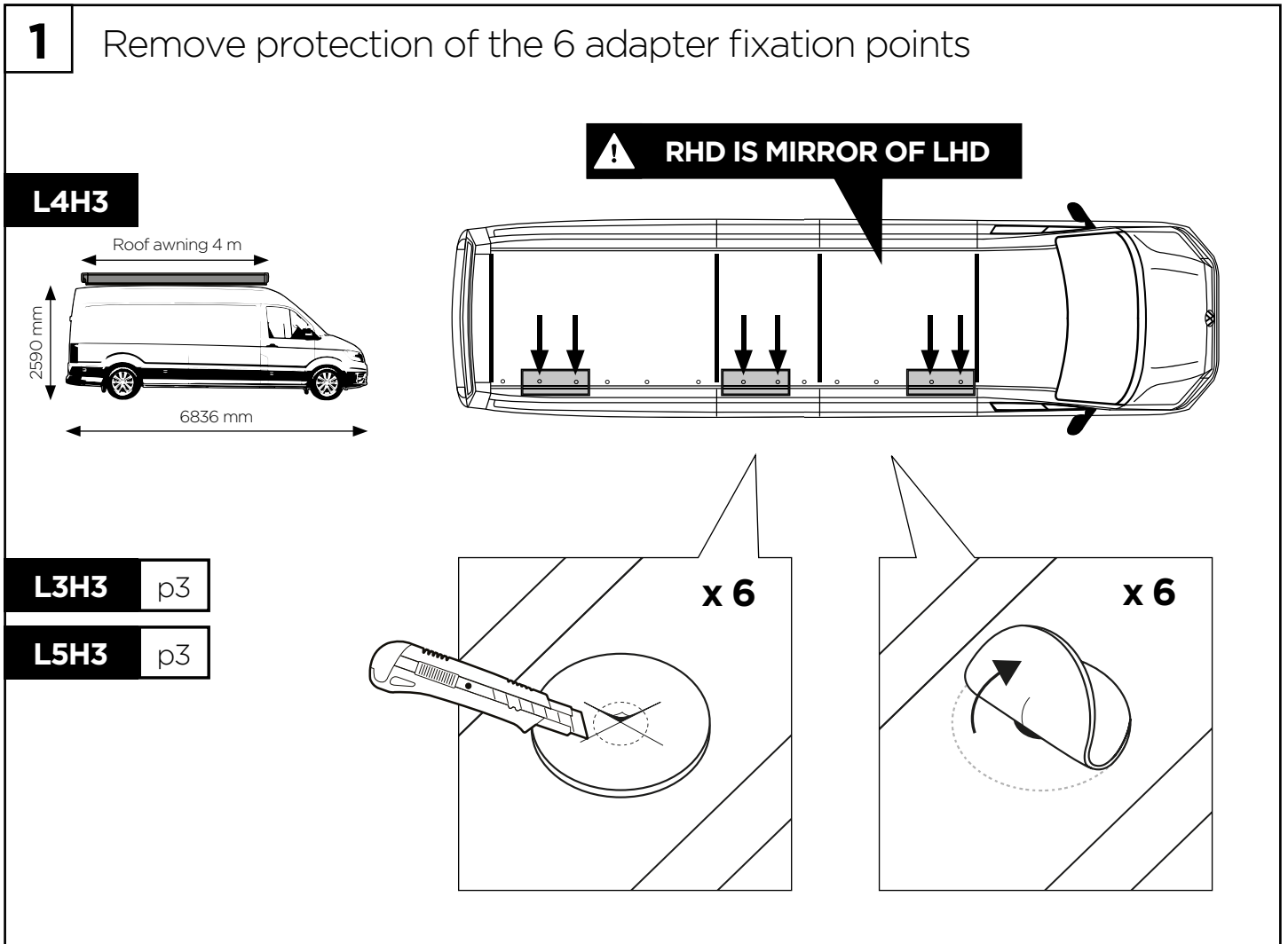
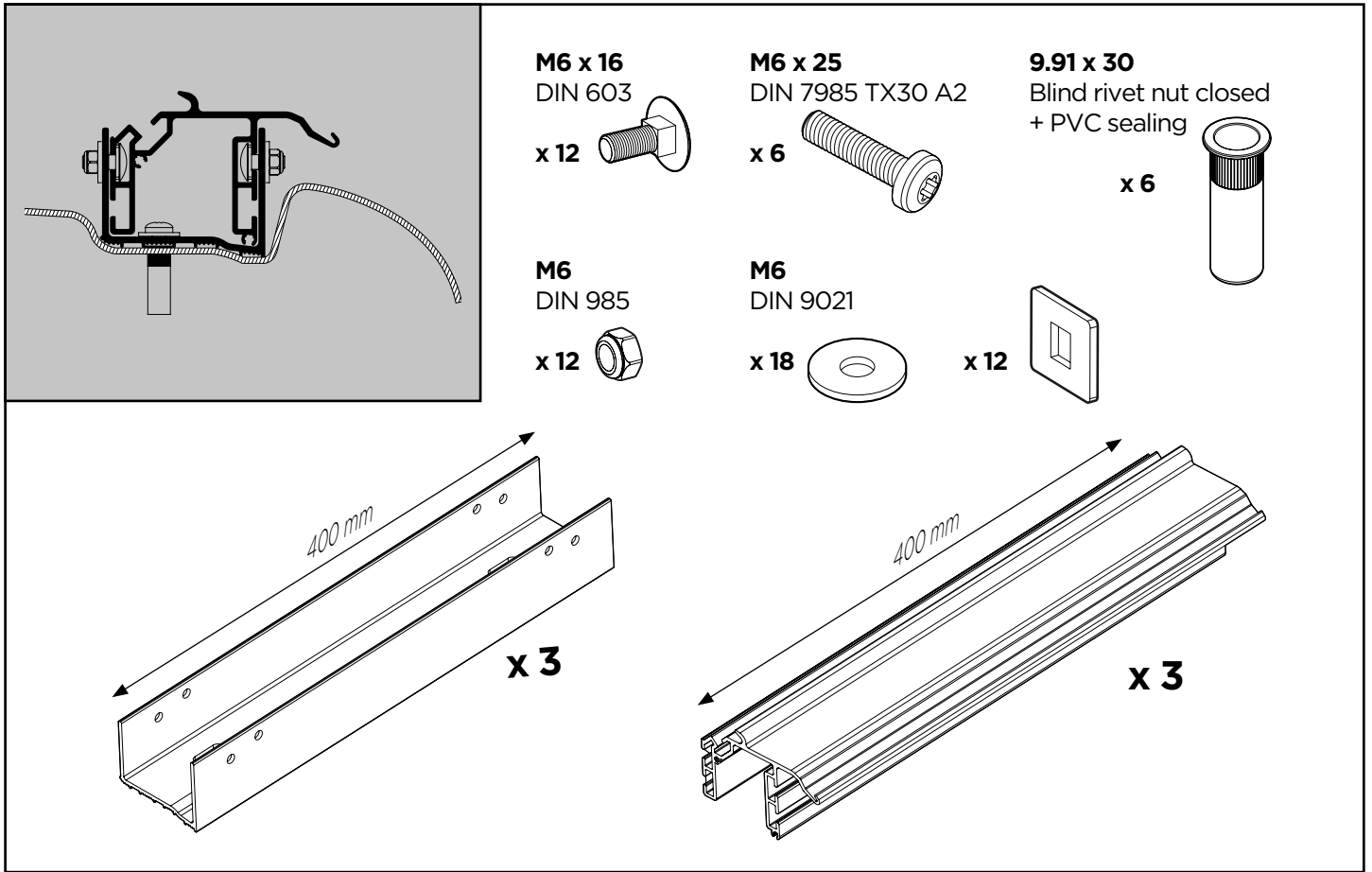


use **6/13** roof fixation points

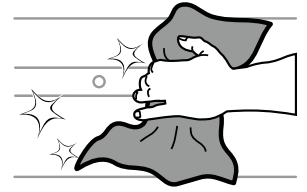
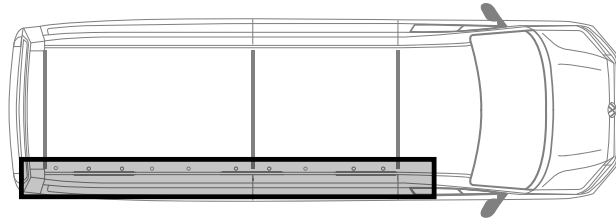
L5H3



use **6/15** roof fixation points

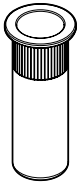


2 Degrease the roof

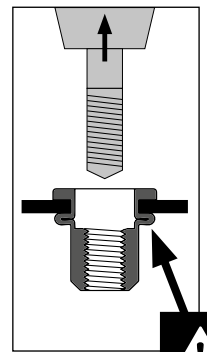
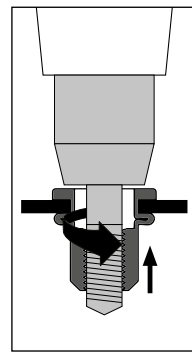
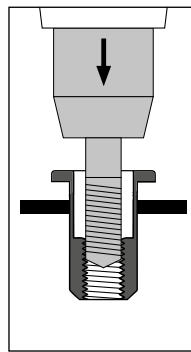
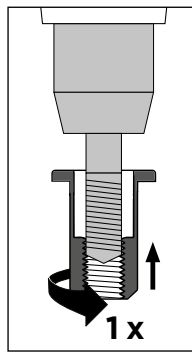


3 Assemble the blind rivet nuts

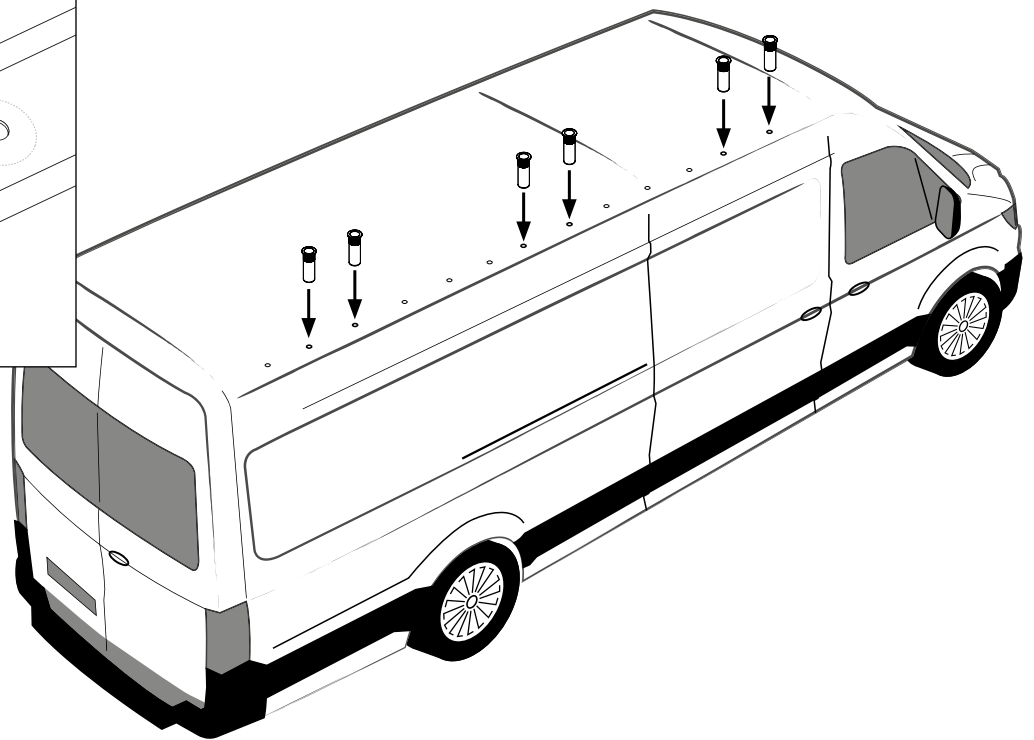
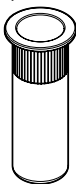
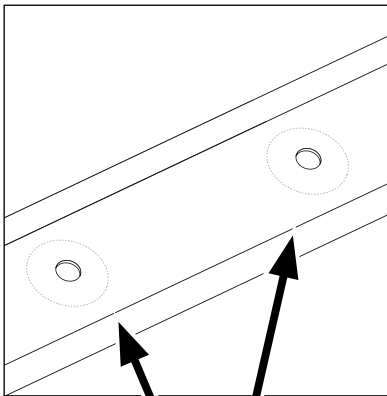
! RHD IS MIRROR OF LHD



x 6



x 3





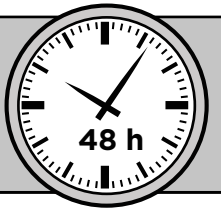
Glue / Lijmen / Verklebung:

Thule recommends / beveelt aan / empfiehlt: **SIKA 252 or Terostat MS937**

Primern und Abdichtung nach Anweisung des Dichtmittelherstellers.

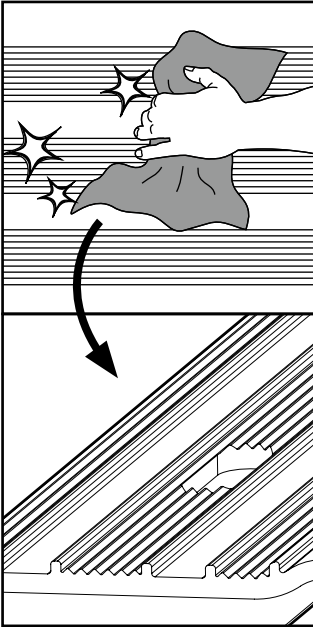
Voorbehandeling en afdichting volgens de voorschriften van de lijmfabrikant.

Preparation and sealing according to the prescripts of the glue supplier.

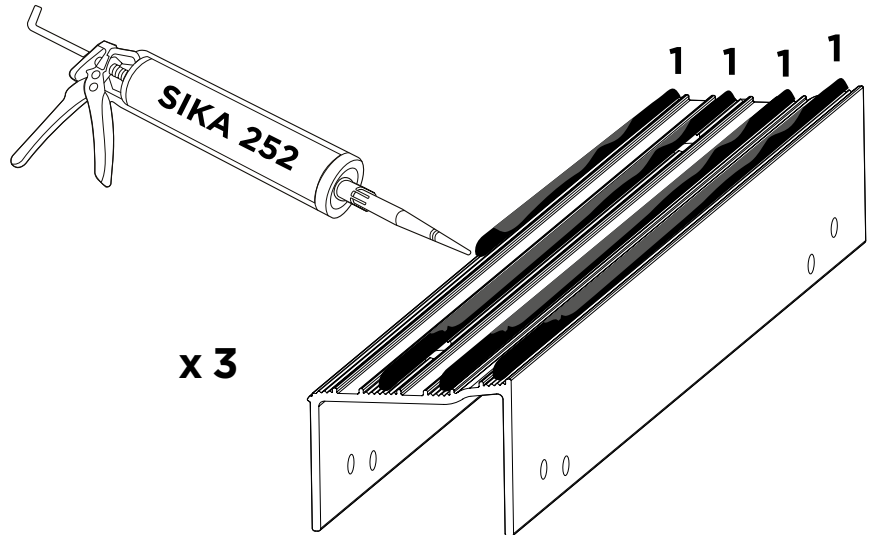


4 Gluing

A



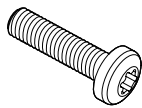
B



5 Mounting the base on the roof

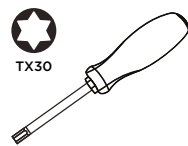
M6 x 25
DIN 7985 TX30 A2

x 6

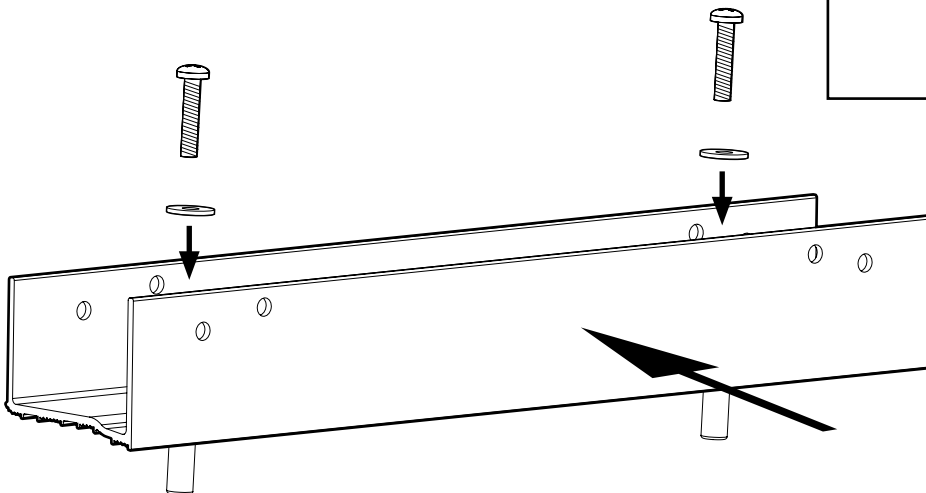
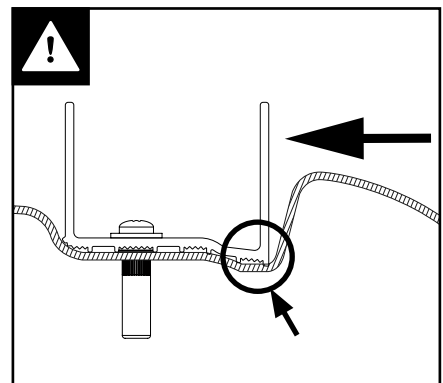


M6
DIN 9021

x 6

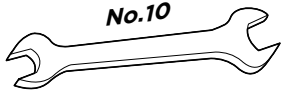


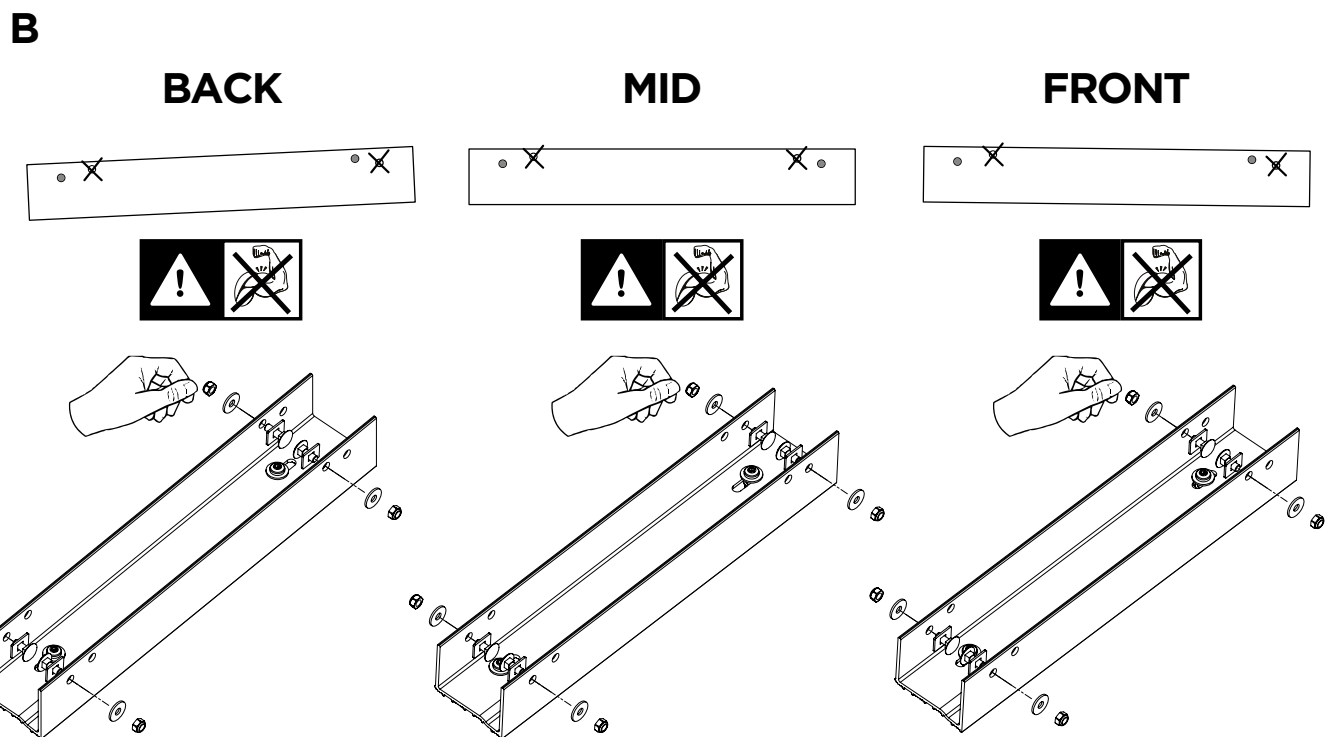
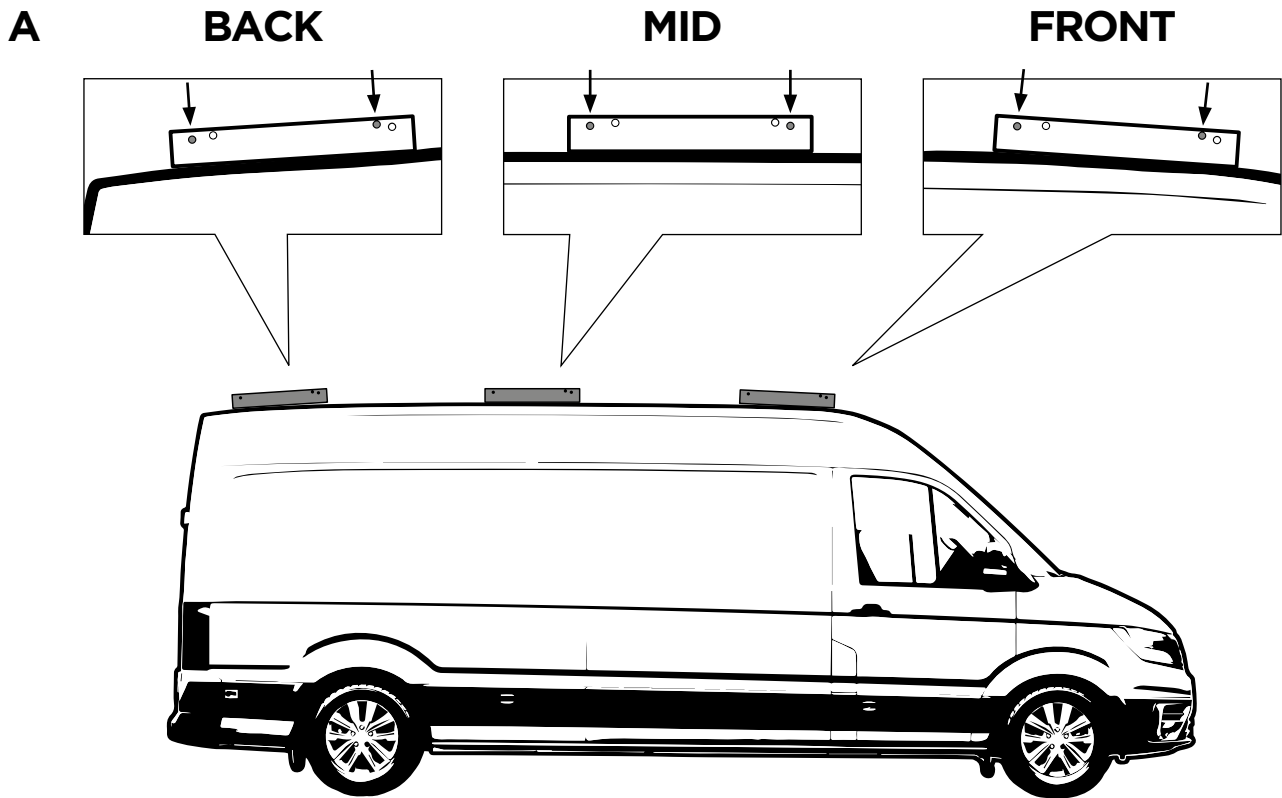
! RHD IS MIRROR OF LHD



6 Mounting the adapter

! RHD IS MIRROR OF LHD

M6 x 16 DIN 603 x 12	M6 DIN 985 x 12	M6 DIN 9021 x 12	x 12	
-----------------------------------	------------------------------	-------------------------------	------	---

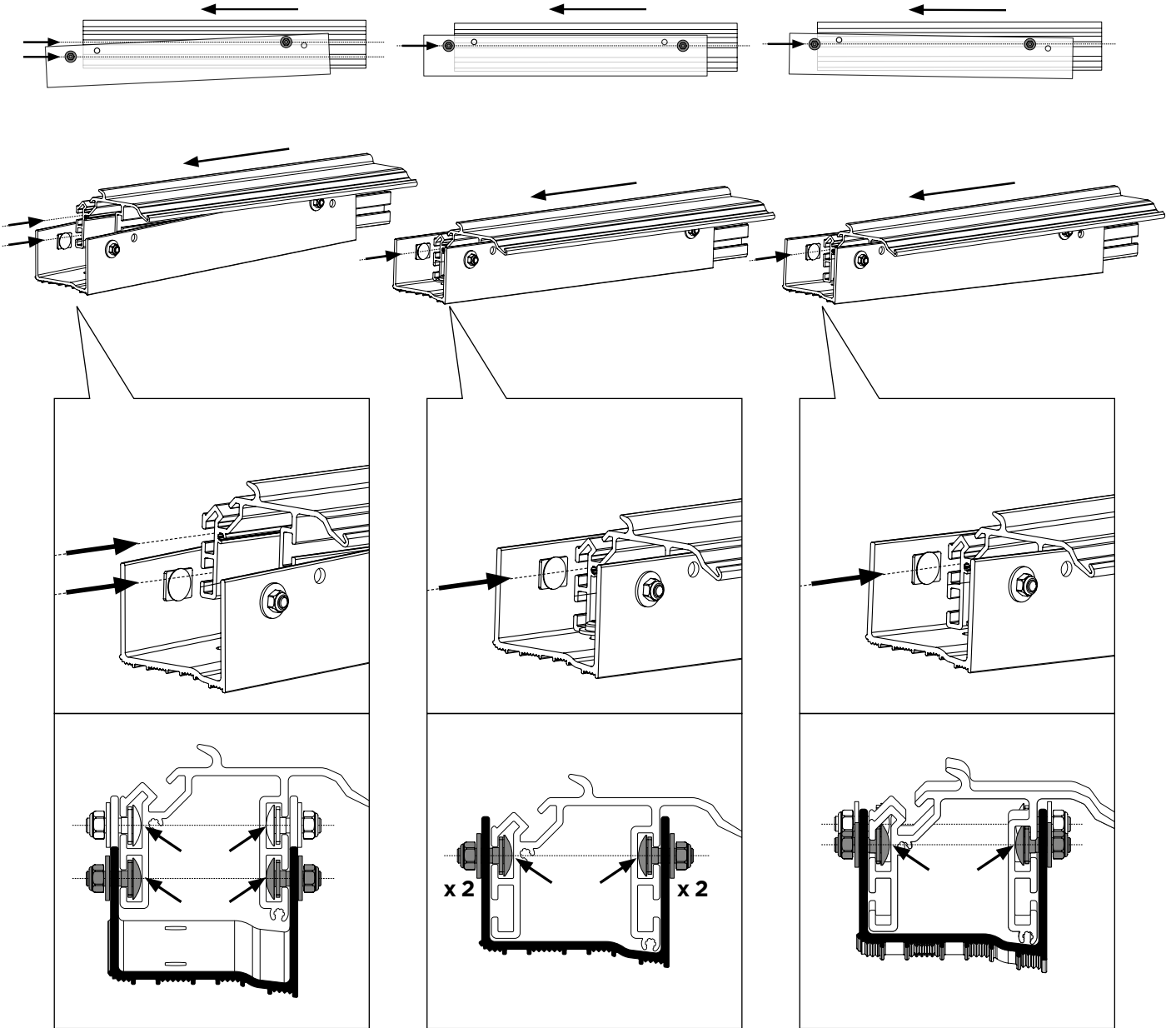


C

BACK

MID

FRONT

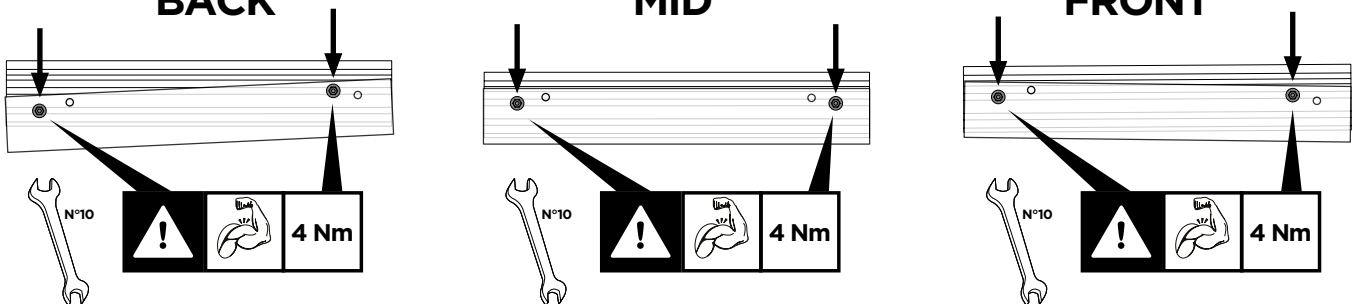


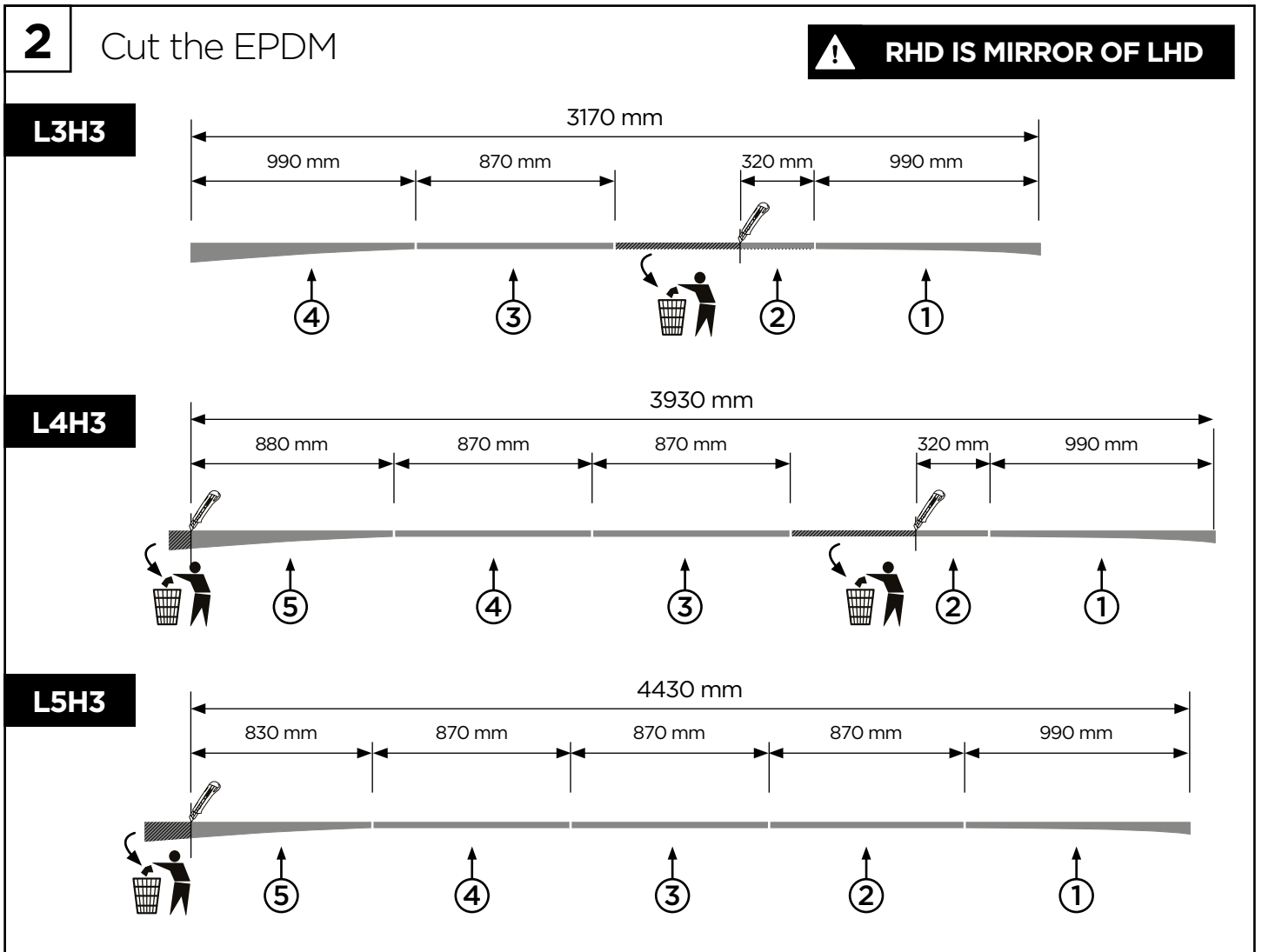
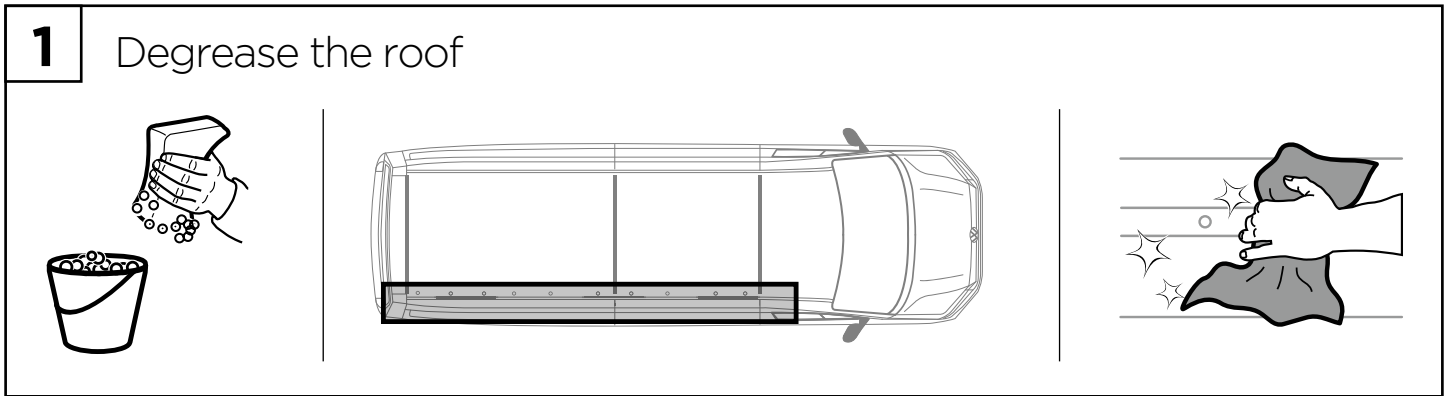
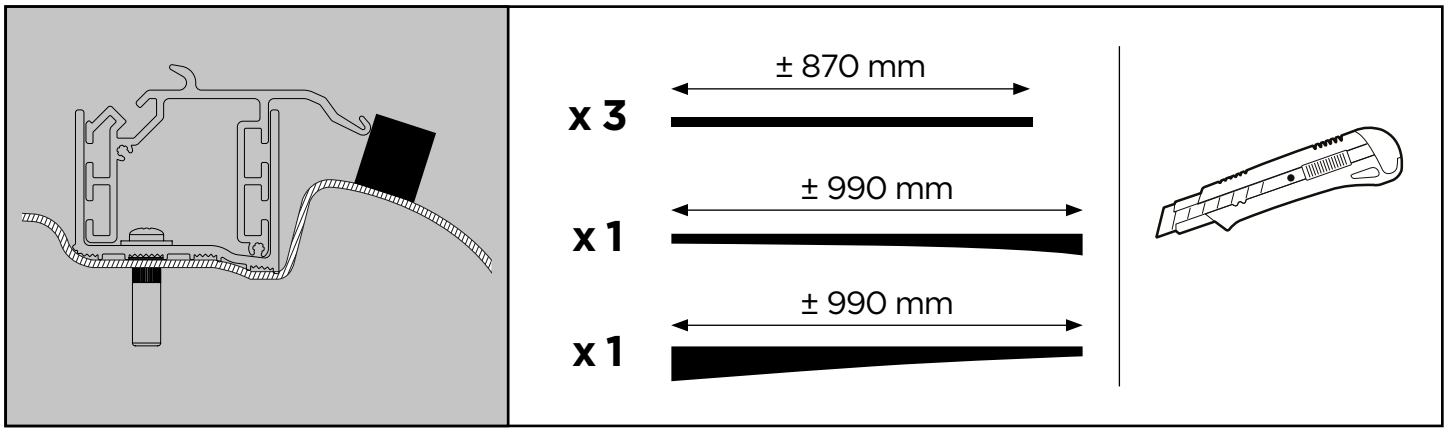
D

BACK

MID

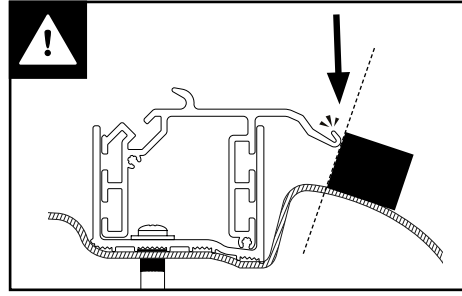
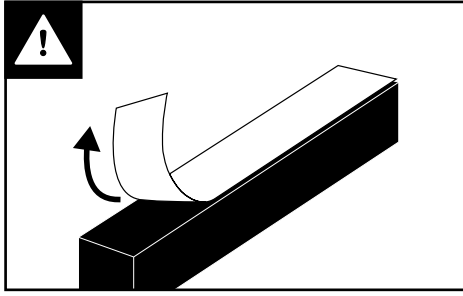
FRONT



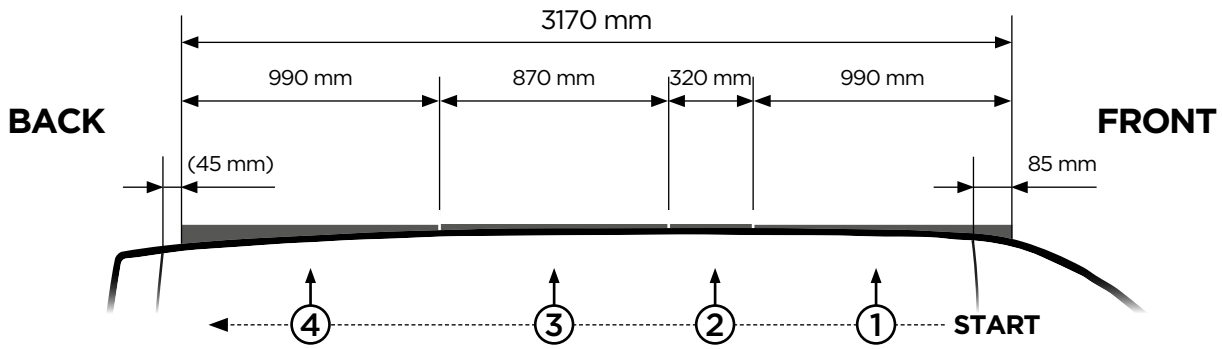


3 Applying the EPDM

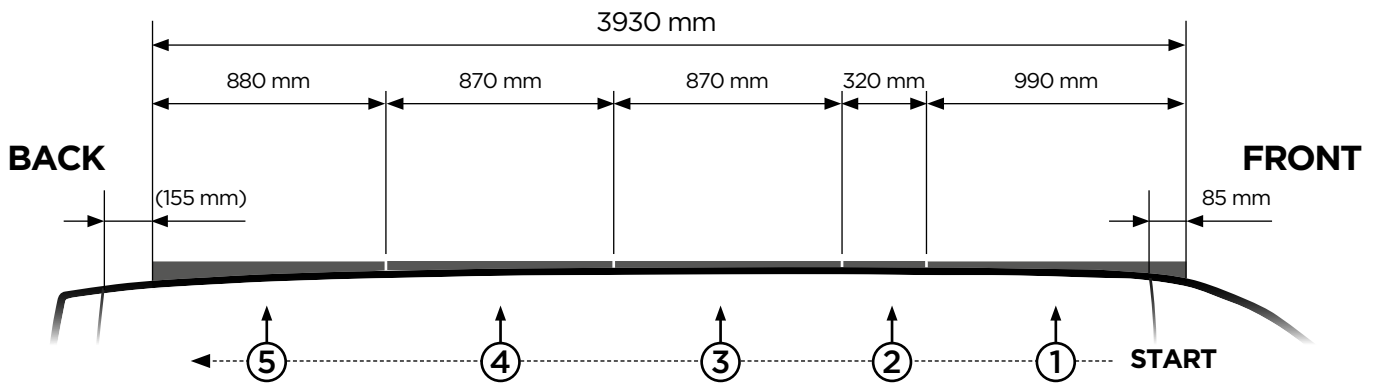
! RHD IS MIRROR OF LHD



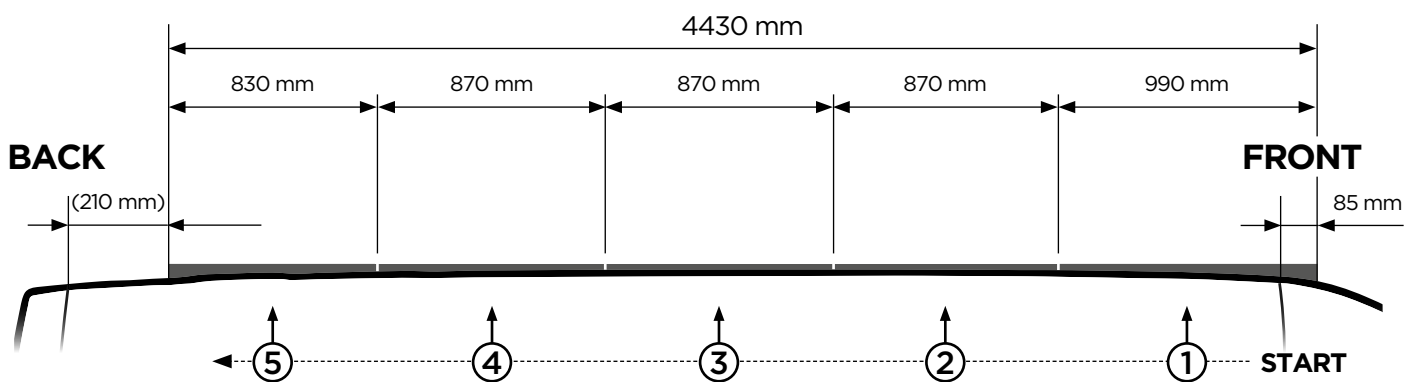
L3H3

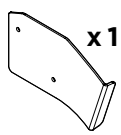
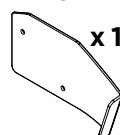
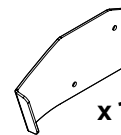
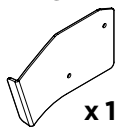
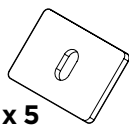


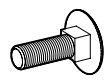
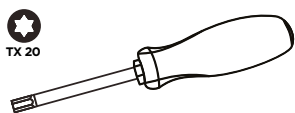



L4H3

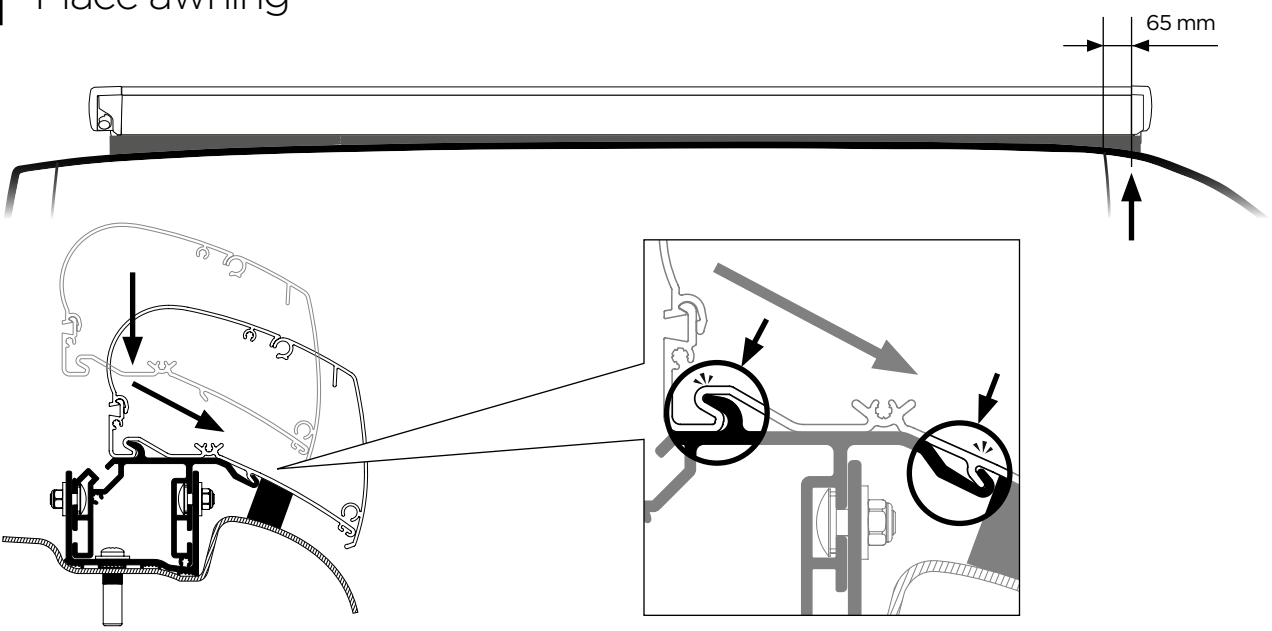


L5H3

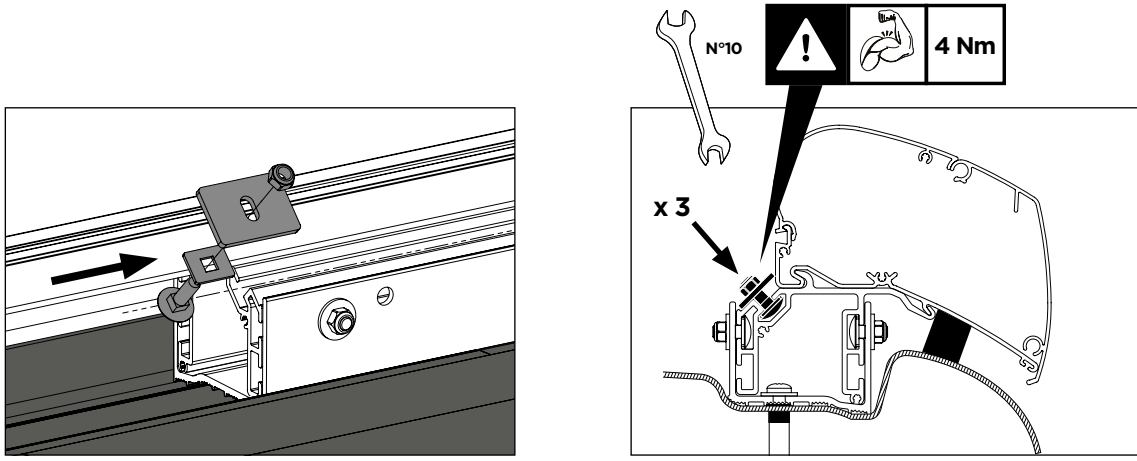


LHD		RHD	
LEFT	RIGHT	LEFT	RIGHT
 x1	 x1	 x1	 x1
 x5	 x5	 x4	 x5
4.2 x 25 DIN 7981 TX20 A2		M6 x 20 DIN 603	
		M6 DIN 985	
			

1 Place awning

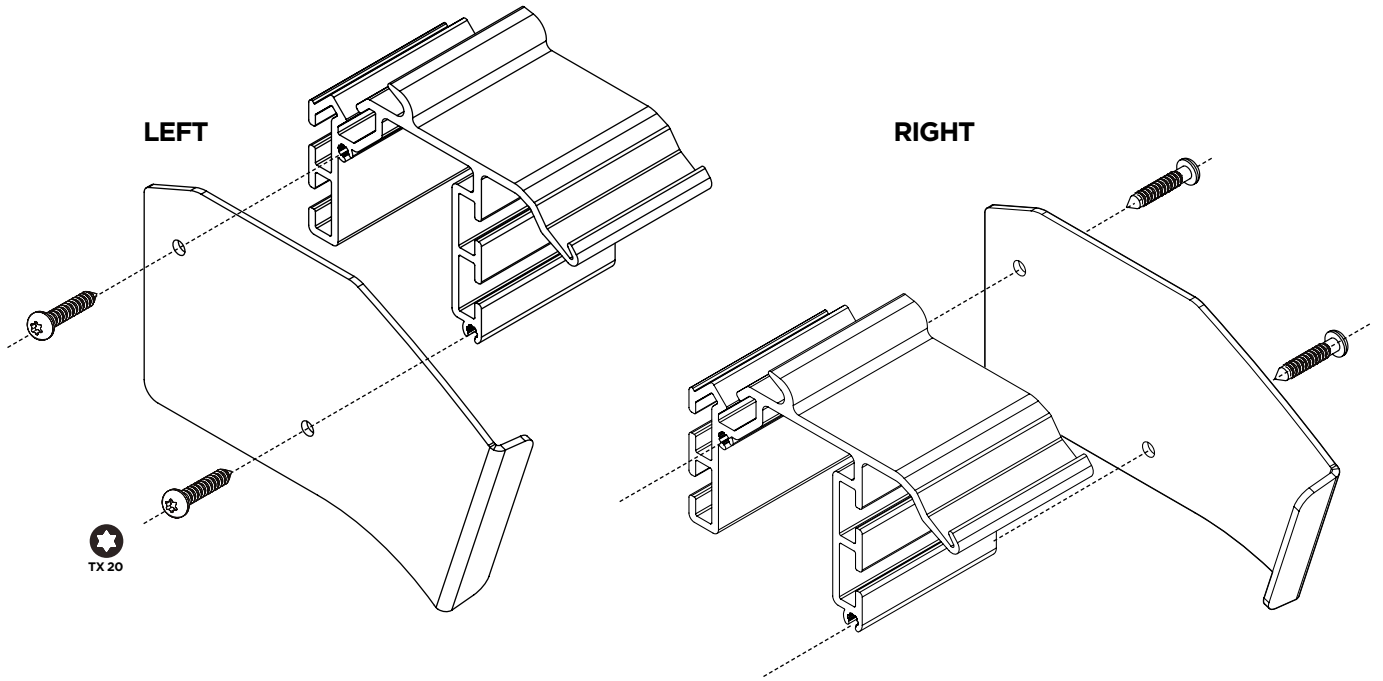


2 Assemble



3 Prepare sealing covers (left and right)

! RHD IS MIRROR OF LHD



4 Assemble

! RHD IS MIRROR OF LHD

