

Manual

DEHUMIDIFIER G21

EN DE CZ SK HU PL

Model Impact 16



۲۱



Thank you for purchasing our product!

Read this manual carefully prior to using the appliance.

Safety instructions

- Install this appliance on a firm level place to reduce vibration and noise.
- Do not place in water or other liquids.
- In order to prevent accidents, please do not use this dehumidifier if wires or other connections are damaged.
- This appliance can be used by children aged from 8 years and above and people with reduced physical, sensory or mental capabilities or lack of experience or knowledge if they have been given supervision or instruction concerning the use of this appliance in a safe way and understand the hazards involved. Children shall not play with the appliance, cleaning and user maintenance shall not be made by children without supervision.
- After you turn the appliance OFF, take the plug out of the socket.
- Indoors use only.
- Empty the water tank to prevent overflow and spill before restarting.
- Do not tilt as it may cause water leakage and damaging the appliance.
- Do not insert any hard objects into the appliance in case error and damage occur.
- If the supply cord is damaged, it must be replaced by a qualified person in order to avoid any damage.
- Do not use the dehumidifier in a dusty environment (construction site, etc.).
- Before any handling of the appliance, it is necessary to empty both tanks (front and back, which is for connecting the hose). Never tip off the appliance down when storing or moving it.

Warning:

- Do not place close to heating devices (flame or heaters, etc.).
- Do not turn OFF by pulling the power cord out of the socket.
- Do not use any flammable substances near this appliance.
- Do not clean with water, use a damp soft cloth.
- Do not wipe with chemical solvents, use a natural detergent.
- Do not tilt over 45° or place upside down.

Frequent questions

Why does the appliance store less water in the water tank in winter?

The temperature is low and air is dry, not a fault.

Why can't the appliance run or stops running suddenly?

The water tank might be full of water or it is not installed properly – drain the water tank or re-install it. The appliance might be in the „dehumidification mode“, the ambient temperature is lower or higher than requested (it cannot be performed when the ambient temperature is < 5 °C or > 32 °C).

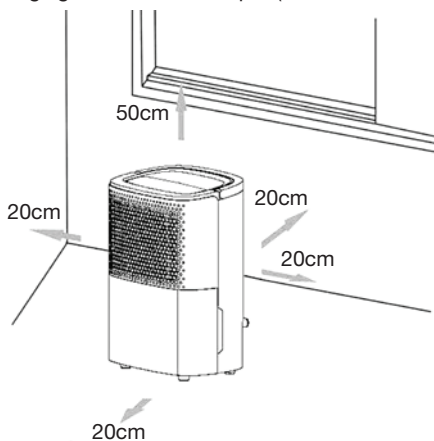
Why is hot air blown out from the air supply outlet?

The appliance extracts air in the room and the dehumidification unit cools the air. The temperature

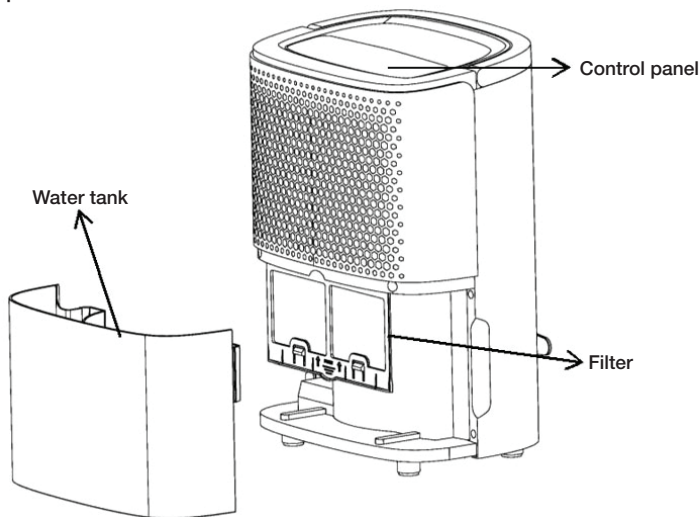
decreases below the condensation point, the air condenses into water drops, which fall into the water tank and the dehumidified air is heated by the temperature running unit. This can reduce energy consumption and also accelerate dehumidification, therefore, hot air is blown out, not a fault.

Installation

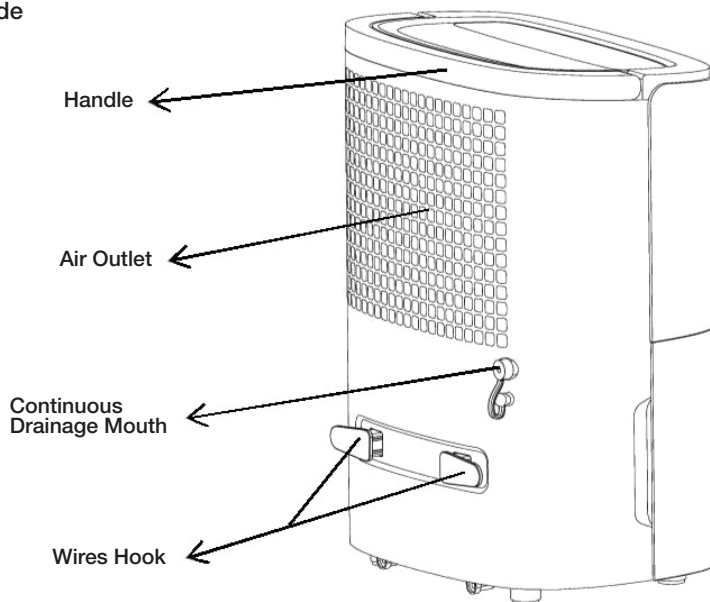
- Please drain the water from the water tank before running the appliance.
- When the appliance is ON, please do not open doors and windows if possible since it can save energy resources.
- When the dehumidifier is installed, a certain space must be reserved around the appliance. The minimum distance above is 50 cm and 20 cm in any other direction, as shown in the picture below.
- When big noise is found during operation of this dehumidifier: It is recommended to insert pads or damping rubber sheets below this appliance. It can reduce the vibration and noise and can also reduce damaging wood floor or carpet (due to vibrations or water leakage).



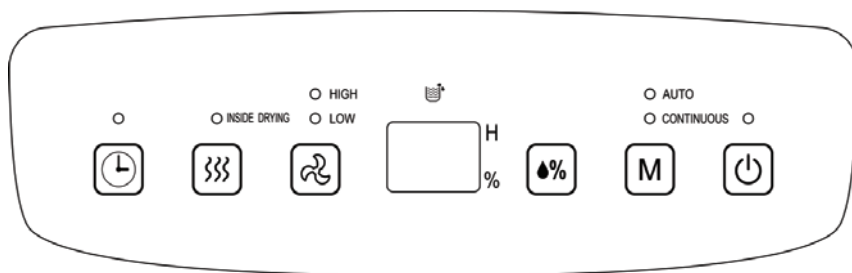
Components



back side



Control panel



Timer - 24h timer setup, press this key to set on/off time of the dehumidifier. The setting range is from 0 to 24 h, it will increase by 1 hour per press. Long press to cancel.

Internal drying function - Press this button to start the inside drying function.

Fan - In AUTO mode and Cloth dry mode, press this button to change the fan speed.

Display screen - In AUTO mode or Cloth dry mode, it will indicate the actual room humidity. In timing mode, it indicates the setting time.

Humidity setting - In AUTO mode, press the key to set humidity, humidity range is from 30-80 %, it changes by 5 % with every press.

Mode - When the appliance is on or the timing power is on, press this button to choose auto or continuous dehumidifying (dry cloth function). The lights will flash when you choose the modes.

On/Off - Press the button to turn on/off the appliance.

Operation

Timing off

When the dehumidifier is running, press this button to adjust the time between 0 hour and 24 hours. Press the button once to increase the set time by 1 hour. After the set time exceeds 24 hours, the display returns to 0 to start the cycle again. When the set time is reached, the dehumidifier turns off automatically. After setting is completed, the set time is confirmed after 5 seconds. In the 'timer off' state, the button light on the button is lit.

Timing on

When the dehumidifier is in the standby state, the method for adjusting the set time by the button is the same as for timer 'off'. When setting is completed, the set time is confirmed after 5 seconds. In the 'time on' state the light on the button is lit, and the set time is displayed on the control panel.

AUTO mode

Select AUTO dehumidification. If the room humidity is higher than the set humidity or is between + 5 % or - 5 % of the set humidity, the compressor will start and the fan will run at the set speed. If the room humidity is lower than the set humidity by - 5 %, then the compressor will stop but the fan will run at the set speed. The default set humidity value is 50 %.

Cloth dry mode

Select CONTINUOUS dehumidification. Regardless of the relative humidity in the room, the compressor starts, the fan runs at high speed by default, and the fan speed can be regulated via the fan speed button.

Drying function

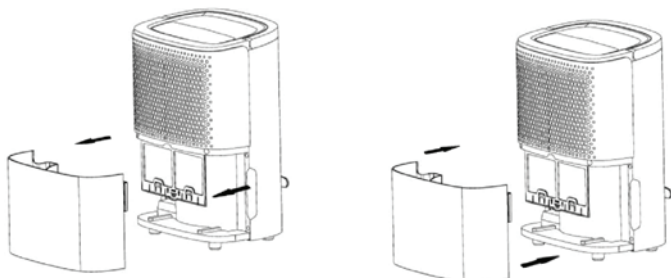
Press the DRYING button to start the drying process. The appliance starts at HIGH air speed and releases air continuously for 30 minutes. The appliance turns to run at LOW air speed and lasts for 15 minutes.

To stop, press the DRYING button again to cancel the process and recover to the prior running mode. Or, press the POWER button to stop the process and recover to standby mode.

Water drainage

1. Manual

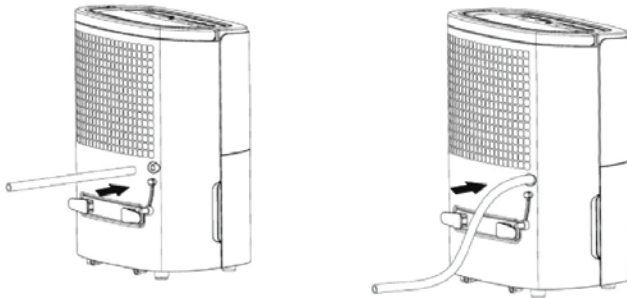
- When the water tank is full, the full water icon on LCD display flashes (the compressor, fan will stop running), the buzzer sounds 10 times to remind the user till the water is drained.
- Place both hands respectively at the side of the back cover side of the depression, gently remove the water tank and open the tank cover on the right side of the body, then pour the water from the gap between water tank and the cover.
- Close the tank cover and rotate the water tank handle down, then put the water tank gently back in to restart the appliance.



- Attention: when the water tank is full of water, please empty it. Before putting the water tank into the dehumidifier, please confirm whether the floater rotates flexibly or not, then put it in position using both hands.

2. Continuous drainage (Optional)

- If you don't want to drain the water tank frequently, you can connect a drainage pipe (with inner diameter 9 mm) to the drainage mouth to drain the water automatically.
- Note: Make sure the pipe is attached firmly. Do not use a pipe longer than 60 cm. The height of the drainage cannot surpass the height of the drainage mouth – possible water leakage.



Maintenance

Precautions:

- Please disconnect the power plug before maintenance or repair to prevent electric shock.
- If the dehumidifier is not used for a long time, please disconnect the power supply.
- Please do not clean the appliance's body with chemical solvents such as alcohol, gasoline etc..
- Please clean the water tank and its cover with soft cloth dipped in cold or warm water at regular time to prevent mould inside the dehumidifier.
- Wipe the surface of the appliance slightly with wet cloth and do not use detergent or abrasive in case the plastic surface is damaged.
- Clean the filter at least once per two weeks with cold or warm water. Do not use chemical solvents or hot water.

Troubleshooting

Symptoms	Possible reason	Solution
The dehumidifier does not run.	<ul style="list-style-type: none"> • Power plug fell out. 	<ul style="list-style-type: none"> • Insert the plug into socket.
	<ul style="list-style-type: none"> • Water tank full of water or placed in incorrect position. (FL) 	<ul style="list-style-type: none"> • Drain the water tank and place it back in correctly.
	<ul style="list-style-type: none"> • The ambient temperature is lower than 5 °C or higher than 32 °C.(LO/HI) 	<ul style="list-style-type: none"> • Normal phenomenon.
The dehumidification function is not effective.	<ul style="list-style-type: none"> • Room temperature or humidity too low. 	<ul style="list-style-type: none"> • In dry seasons the dehumidification ability will reduce.
	<ul style="list-style-type: none"> • Air outlet and inlet blocked. 	<ul style="list-style-type: none"> • Clean up the object block the air outlet and inlet.
Air is not blown out.	<ul style="list-style-type: none"> • Air filter blocked. 	<ul style="list-style-type: none"> • Clean the air strainer.
Noise is abnormal during operation.	<ul style="list-style-type: none"> • Appliance placed improperly so that it is inclined or unstable. 	<ul style="list-style-type: none"> • Place the appliance on a firm level place.
	<ul style="list-style-type: none"> • Air strainer blocked. 	<ul style="list-style-type: none"> • Clean the air strainer.
	<ul style="list-style-type: none"> • „Tittering“ sound. 	<ul style="list-style-type: none"> • The flowing sound of refrigerant, a normal phenomenon.
Water leakage	<ul style="list-style-type: none"> • Connection of drainage pipe becomes loose. 	<ul style="list-style-type: none"> • Fasten drainage pipe.
	<ul style="list-style-type: none"> • Drainage system is blocked. 	<ul style="list-style-type: none"> • Remove obstacles and straighten out the waterpipe.
Frosting occurs	<ul style="list-style-type: none"> • The ambient temperature is low and it is in the state of waiting to defrost. (P1) 	<ul style="list-style-type: none"> • It is a normal phenomenon and the appliance has the automatic defrosting function.
LC error	<ul style="list-style-type: none"> • The child lock is on. 	<ul style="list-style-type: none"> • Press and hold the M button for 3 seconds.

The English version of the manual is an exact translation of the original manufacturer's instructions. Images used in this manual are for illustrational purposes only and may differ from the actual product.

Safety instructions for installing the device using the R290 refrigerant gas

To avoid damage, place the unit in an upright position for at least 24 hours before initiation.

Make sure that the air outlet and air inlet are never blocked.

Only operate the unit on a horizontal surface to ensure no water leaks out.

Warnings

- Do not exceed impedance greater than 0.236ohm in supply the appliance is connected to.
- Any person who is involved with working on or breaking into a refrigerant a refrigerant circuit should hold a current valid certificate from an industry-accredited assessment authority.
- Remember the environment when disposing of packaging around the appliance and when the appliance has reached its by date.
- A warning that the appliance shall be stored in a well-ventilated area where the size corresponds to the room area as specified for operation.
- The appliance shall be stored so as to prevent mechanical damage from occurring.
- Information for spaces where refrigerant pipes are allowed, including statements
 - » that the installation of pipe-work shall be kept to a minimum;
 - » that pipe-work shall be protected from physical damage and, in the case of flammable refrigerants, shall not be installed in an unventilated space;
 - » that compliance with national gas regulations shall be observed;
 - » that mechanical connections shall be accessible for maintenance purposes;
 - » that, for appliances containing flammable refrigerants, the minimum floor area of the room shall be mentioned in the form of a table or a single figure without reference to a formula;
- A warning to keep any required ventilation openings clear of obstruction;
- A notice that servicing shall be performed only as recommended by the manufacturer;
- When the portable air conditioner or dehumidifier is turned on, the fan can work continuously stable under normal conditions to provide the minimum air volume of 100m³/h even when the compressor is closed due to the temperature controller.
- Use only implements recommended by the manufacturer for defrosting or cleaning
- Do not perforate any of the components in the refrigerant circuit. Refrigerant gas may be odourless
- Use care when storing the appliance to prevent mechanical faults.
- Maintenance and repairs requiring the assistance of other qualified personnel must be carried out under the supervision of specialists in the use of inflammable refrigerants.



CAUTION ON FIRE

READ THE MAUAL CAREFULLY BEFORE USING THE APPLIANCE

R290 refrigerant gas complies with European environmental directives.

Appliance shall be installed, operated and stored in a room with a floor area larger than 4 m².

Additional warning for appliance with R290 refrigerant gas (refer to the rating plate for the type of refrigerant gas used)

Checks to the area

Prior to beginning work on systems containing flammable refrigerants, safety checks are necessary to ensure that the risk of ignition is minimised. For repair to the refrigerating system, the following precaution shall be completed prior to conducting work on the system.

Work procedure

Work shall be undertaken under a controlled procedure so as to minimise the risk of a flammable gas or vapour being present while the work is being performed.

General work area

All maintenance staff and others working in the local area shall be instructed on the nature of work being carried out. Work in confined spaces shall be avoided.

Checking for presence of refrigerant

The area shall be checked with an appropriate refrigerant detector prior to and during work, to ensure the technician is aware of potentially toxic or flammable atmospheres. Ensure that the leak detection equipment being used is suitable for use with all applicable refrigerants, i.e. non-sparking, adequately sealed or intrinsically safe.

Presence of fire extinguisher

If any hot work is to be conducted on the refrigerating equipment or any associated parts, appropriate fire extinguishing equipment shall be available to hand. Have a dry powder or CO₂ fire extinguisher adjacent to the charging area.

No ignition sources

No person carrying out work in relation to a refrigerating system which involves exposing any pipe work shall use any sources of ignition in such a manner that it may lead to the risk of fire or explosion. All possible ignition sources, including cigarette smoking, should be kept sufficiently far away from the site of installation, repairing, removing and disposal, during which refrigerant can possibly be released to the surrounding space. Prior to work taking place, the area around the equipment is to be surveyed to make sure that there are no flammable hazards or ignition risks.

Ventilated area

Ensure that the area is in the open or that it is adequately ventilated before breaking into the system or conducting any hot work. A degree of ventilation shall continue during the period that the work is carried out.

Checks to the refrigerating equipment

Where electrical components are being changed, they shall be fit for the purpose and to the correct specification. At all times the manufacturer's maintenance and service guidelines shall be followed. If in doubt, consult the manufacturer's technical department for assistance.

The following checks shall be applied to installations using flammable refrigerants:

- the actual refrigerant charge is in accordance with the room size within which the refrigerant containing parts are installed;
- the ventilation machinery and outlets are operating adequately and are not obstructed;
- if an indirect refrigerating circuit is being used, the secondary circuit shall be checked for the presence of refrigerant;
- marking to the equipment continues to be visible and legible. Markings and signs that are illegible shall be corrected;

- refrigerating pipe or components are installed in a position where they are unlikely to be exposed to any substance which may corrode refrigerant containing components, unless the components are constructed of materials which are inherently resistant to being corroded or are suitably protected against being so corroded.

Checks to electrical devices

Repair and maintenance to electrical components shall include initial safety checks and component inspection procedures. If a fault exists that could compromise safety, then no electrical supply shall be connected to the circuit until it is satisfactorily dealt with

Initial safety checks shall include:

- that capacitors are discharged: this shall be done in a safe manner to avoid possibility of sparking;
- that no live electrical components and wiring are exposed while charging, recovering or purging the system;
- that there is continuity of earth bonding.

Repairs to sealed components

During repairs to sealed components, all electrical supplies shall be disconnected from the equipment being worked upon prior to any removal of sealed covers, etc. If it is absolutely necessary to have an electrical supply to equipment during servicing, then a permanently operating form of leak detection shall be located at the most critical point to warn of a potentially hazardous situation.

Particular attention shall be paid to the following to ensure that by working on electrical components, the casing is not altered in such a way that the level of protection is affected. This shall include damage to cables, excessive number of connections, terminals not made to original specification, damage to seals, incorrect fitting of glands, etc.

Ensure that seals or sealing materials have not degraded to the point that they no longer serve the purpose of preventing the ingress of flammable atmospheres. Replacement parts shall be in accordance with the manufacturer's specifications.

Repair to intrinsically safe components

Do not apply any permanent inductive or capacitance loads to the circuit without ensuring that this will not exceed the permissible voltage and current permitted for the equipment in use.

Intrinsically safe components are the only types that can be worked on while live in the presence of a flammable atmosphere. Replace components only with parts specified by the manufacturer. Other parts may result in the ignition of refrigerant in the atmosphere from a leak.

Cabling

Check that cabling will not be subject to wear, corrosion, excessive pressure, vibration, sharp edges or any other adverse environmental effects. The check shall also take into account the effects of aging or continual vibration from sources such as compressors or fans.

Detection of flammable refrigerants

Under no circumstances shall potential sources of ignition be used in the searching for or detection of refrigerant leaks. A halide torch (or any other detector using a naked flame) shall not be used.

Removal and evacuation

When breaking into the refrigerant circuit to make repairs – or for any other purpose – conventional procedures shall be used. However, for flammable refrigerants it is important that best practice is followed since flammability is a consideration.

The following procedure shall be adhered to:

- remove refrigerant;
- purge the circuit with inert gas;
- evacuate;
- purge with inert gas;
- open the circuit by cutting or brazing.

The refrigerant charge shall be recovered into the correct recovery cylinders. For appliances containing flammable refrigerants the system shall be purged with oxygen-free nitrogen to render the appliance safe for flammable refrigerants. This process may need to be repeated several times. Compressed air or oxygen shall not be used for purging refrigerant systems.

For appliances containing flammable refrigerants, refrigerants purging shall be achieved by breaking the vacuum in the system with oxygen-free nitrogen and continuing to fill until the working pressure is achieved, then venting to atmosphere, and finally pulling down to a vacuum. This process shall be repeated until no refrigerant is within the system. When the final oxygen-free nitrogen charge is used, the system shall be vented down to atmospheric pressure to enable work to take place. This operation is absolutely vital if brazing operations on the pipe-work are to take place.

Ensure that the outlet for the vacuum pump is not close to any potential ignition sources and that ventilation is available.

Charging procedures

In addition to conventional charging procedures, the following requirements shall be followed.

- Ensure that contamination of different refrigerants does not occur when using charging equipment. Hoses or lines shall be as short as possible to minimise the amount of refrigerant contained in them.
- Cylinders shall be kept in an appropriate position according to the instructions.
- Ensure that the refrigerating system is earthed prior to charging the system with refrigerant.
- Label the system when charging is complete (if not already).
- Extreme care shall be taken not to overfill the refrigerating system.

Prior to recharging the system, it shall be pressure-tested with the appropriate purging gas. The system shall be leak-tested on completion of charging but prior to commissioning. A follow up leak test shall be carried out prior to leaving the site.

Decommissioning

Before carrying out this procedure, it is essential that the technician is completely familiar with the equipment and all its detail. It is recommended good practice that all refrigerants are recovered safely. Prior to the task being carried out, an oil and refrigerant sample shall be taken in case analysis is required prior to re-use of recovered refrigerant. It is essential that electrical power is available before the task is commenced.

- a) Become familiar with the equipment and its operation.
- b) Isolate system electrically.
- c) Before attempting the procedure, ensure that:
 - » mechanical handling equipment is available, if required, for handling refrigerant cylinders;
 - » all personal protective equipment is available and being used correctly;
 - » the recovery process is supervised at all times by a competent person;
 - » recovery equipment and cylinders conform to the appropriate standards.
- d) Pump down refrigerant system, if possible.
- e) If a vacuum is not possible, make a manifold so that refrigerant can be removed from various parts of the system.

- f) Start the recovery machine and operate in accordance with instructions.
- g) Do not overfill cylinders (no more than 80 % volume liquid charge).
- h) Do not exceed the maximum working pressure of the cylinder, even temporarily.
- i) When the cylinders have been filled correctly and the process completed, make sure that the cylinders and the equipment are removed from site promptly and all isolation valves on the equipment are closed off.
- j) Recovered refrigerant shall not be charged into another refrigerating system unless it has been cleaned and checked.

Labelling

Equipment shall be labelled stating that it has been de-commissioned and emptied of refrigerant. The label shall be dated and signed. For appliances containing flammable refrigerants, ensure that there are labels on the equipment stating the equipment contains flammable refrigerant.

Recovery

When removing refrigerant from a system, either for servicing or decommissioning, it is recommended good practice that all refrigerants are removed safely.

When transferring refrigerant into cylinders, ensure that only appropriate refrigerant recovery cylinders are employed. Ensure that the correct number of cylinders for holding the total system charge is available. All cylinders to be used are designated for the recovered refrigerant and labelled for that refrigerant (i.e. special cylinders for the recovery of refrigerant). Cylinders shall be complete with pressure-relief valve and associated shut-off valves in good working order. Empty recovery cylinders are evacuated and, if possible, cooled before recovery occurs.

The recovery equipment shall be in good working order with a set of instructions concerning the equipment that is at hand and shall be suitable for the recovery of all appropriate refrigerants including, when applicable, flammable refrigerants. In addition, a set of calibrated weighing scales shall be available and in good working order. Hoses shall be complete with leak-free disconnect couplings and in good condition. Before using the recovery machine, check that it is in satisfactory working order, has been properly maintained and that any associated electrical components are sealed to prevent ignition in the event of a refrigerant release. Consult manufacturer if in doubt.

The recovered refrigerant shall be returned to the refrigerant supplier in the correct recovery cylinder, and the relevant waste transfer note arranged. Do not mix refrigerants in recovery units and especially not in cylinders.

If compressors or compressor oils are to be removed, ensure that they have been evacuated to an acceptable level to make certain that flammable refrigerant does not remain within the lubricant. The evacuation process shall be carried out prior to returning the compressor to the suppliers. Only electric heating to the compressor body shall be employed to accelerate this process. When oil is drained from a system, it shall be carried out safely.



Danke, dass Sie unser Produkt gekauft haben!

Lesen Sie diese Anleitung vor der Verwendung sorgfältig durch.

Sicherheitshinweise

- Das Gerät muss auf einer ebenen und stabilen Oberfläche betrieben werden, um Vibrationen und Geräusche zu vermeiden.
- Das Gerät darf nicht mit Wasser oder anderen Flüssigkeiten in Kontakt kommen.
- Verwenden Sie dieses Gerät nicht, wenn das Netzkabel oder die Schaltkreise beschädigt sind. Es besteht Verletzungsgefahr.
- Dieses Gerät kann von Kindern ab 8 Jahren und Personen mit eingeschränkten physischen, sensorischen oder geistigen Fähigkeiten oder Mangel an Erfahrung und Wissen verwendet werden, sofern sie beaufsichtigt sind oder eingewiesen wurden und die Gefahren verstehen. Kinder dürfen mit diesem Gerät nicht spielen. Reinigung und Wartung sollten nicht von Kindern ohne Aufsicht durchgeführt werden.
- Trennen Sie das Gerät nach dem Ausschalten, vor dem Zurücksetzen und vor der Wartung immer vom Netz.
- Dieses Gerät ist nur für den Innengebrauch bestimmt.
- Entleeren Sie den Wassertank, bevor Sie das Gerät wieder in Betrieb nehmen, um mögliches Überfüllen zu vermeiden.
- Kippen Sie das Gerät nicht, um mögliche Schäden durch das Wasser aus dem Tank zu vermeiden.
- Führen Sie keine harten Gegenstände in das Gerät ein. Es könnte so beschädigt werden.
- Wenn das Netzkabel beschädigt ist, muss es von einem Servicetechniker ausgetauscht werden. Versuchen Sie niemals, das Kabel selbst auszutauschen oder es zu reparieren.
- Benutzen Sie den Luftentfeuchter nicht in staubiger Umgebung (Baustelle etc.).
- Vor jeder Handhabung des Gerätes müssen beide Tanks (vorne und hinten, dienen zum Anschließen des Schlauchs) entleert werden. Kippen Sie das Gerät niemals weg, wenn Sie es lagern oder bewegen.

Hinweis:

- Stellen Sie das Gerät nicht in der Nähe von Wärmequellen (Heizkörper, Heizung, Herd usw.) auf.
- Schalten Sie das Gerät niemals so aus, indem Sie es vom Netz trennen.
- Verwenden Sie keine brennbaren Substanzen in der Nähe des Geräts.
- Reinigen Sie das Gerät nicht mit Wasser. Verwenden Sie immer ein feuchtes und weiches Tuch.
- Wischen Sie das Gerät nicht mit Chemikalien ab. Wenn das Gerät verschmutzt ist, verwenden Sie ein neutrales Reinigungsmittel.
- Neigen Sie das Gerät nicht um mehr als 45° und stellen Sie es nie verkehrt um auf.

Häufige Fragen

Warum sammelt sich im Winter weniger Wasser im Wassertank?

Im Winter sind die Temperaturen niedrig und die Luft ist trocken, sodass das Gerät weniger Feuchtigkeit aufnimmt als im Sommer.

Warum kann das Gerät nicht eingeschaltet werden oder schaltet sich gleich von selbst aus?

Der Wassertank ist möglicherweise voll oder falsch positioniert. Entleeren Sie den Wassertank oder stellen Sie diesen in die richtige Position.

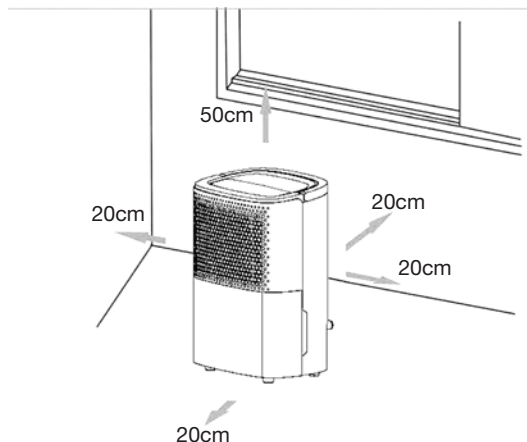
Die Außentemperaturen reichen möglicherweise für die ordnungsgemäße Funktion des Geräts nicht aus. Das Gerät wird nicht funktionieren, wenn die Temperaturen unter 5°C oder über 32°C liegen. (Der optimale Nutzungsbereich ist von 16-32°C.)

Warum bläst heiße Luft aus dem Lufteinlass?

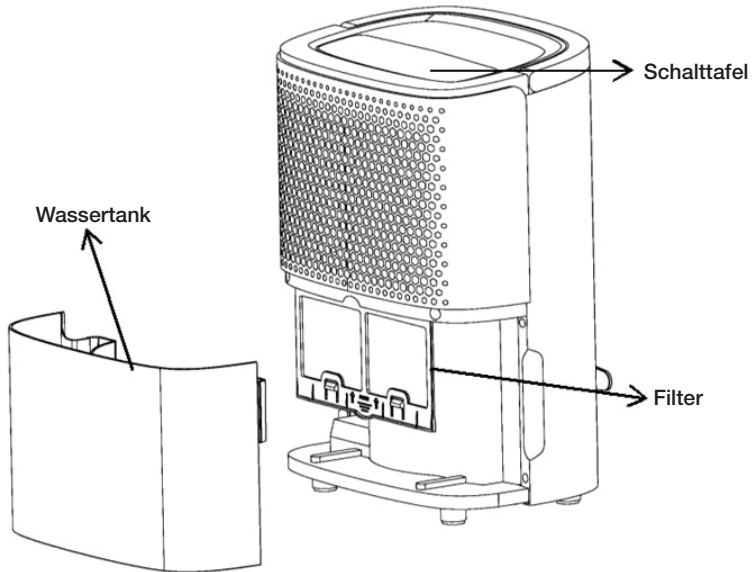
Das Gerät saugt die Raumluft ab und die Entfeuchtungseinheit kühlt sie ab, die Temperatur sinkt unter den Kondensationspunkt, die Luft kondensiert zu Wassertröpfchen, die schließlich in den Wassertank fallen. Danach wird die entfeuchtete Luft wieder auf die ursprüngliche Temperatur erwärmt. Dies kann den Energieverbrauch senken und auch die Entfeuchtung beschleunigen, sodass heiße Luft ausgeblasen wird. Es handelt sich nicht um eine Fehlfunktion.

Installation des Gerätes

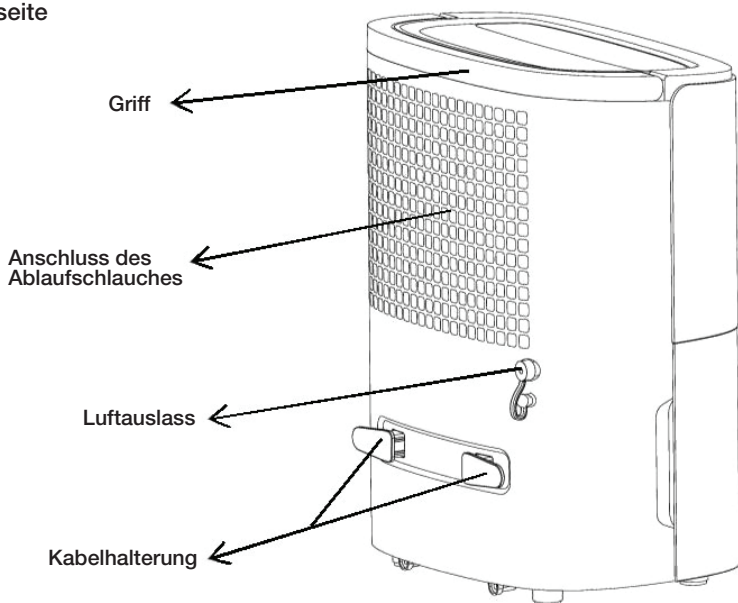
- Lassen Sie das Wasser aus dem Wassertank ab, bevor Sie das Gerät starten.
- Öffnen Sie bei eingeschaltetem Gerät möglichst keine Türen und Fenster - dies kann Energieressourcen sparen.
- Wenn der Luftentfeuchter installiert ist, muss um das Gerät herum folgend Platz freigehalten werden: über dem Gerät 50 cm und 20 cm in jede andere Richtung, wie in der Abbildung unten gezeigt.
- Wenn während des Betriebs dieses Luftentfeuchters laute Geräusche festgestellt werden: Es wird empfohlen, Pads oder Dämpfungsgummi unter dieses Gerät zu legen. Dies kann Vibrationen und Geräusche reduzieren und auch Schäden an Holzböden oder Teppich (aufgrund von Vibrationen oder Wasserlecks) reduzieren.



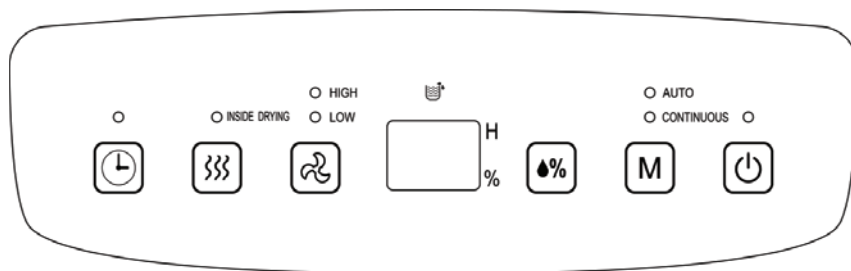
Gerätbeschreibung



Rückseite



Chalttafel



Zeiteinstellung - Drücken Sie diese Taste, um die Betriebsdauer des Luftentfeuchters einzustellen. Der Einstellbereich beträgt 0-24 Stunden – jeder Tastendruck erhöht die Zeit um 1 Stunde. Halten Sie gedrückt, um die Einstellung abzubrechen.

Funktion zum Trocknen der Innenteile des Gerätes - Drücken Sie diese Taste, um den Prozess des Trocknens des Geräts zu starten. Dadurch kann die Bildung von Schimmel aufgrund der feuchten Umgebung im Inneren des Geräts verhindert werden. Der gesamte Trocknungsvorgang dauert etwa eine Stunde. Drücken Sie diese Taste erneut, um diese Funktion abzubrechen und das zuvor laufende Programm wiederherzustellen.

Lüfter - Drücken Sie diese Taste im AUTO und Cloth dry Modus, um die Geschwindigkeit des Lüfters (Luftzirkulation) zu ändern.

LED-Anzeige (16D) - Im AUTO und Cloth dry Modus zeigt die Anzeige die aktuelle Luftfeuchtigkeit im Raum an. Im Modus mit eingestellter Zeit wird diese angezeigt.

Feuchtigkeitseinstellung - Durch das Drücken dieser Taste wird die Luftfeuchtigkeit im Bereich von 30% - 80% angezeigt. Die Feuchtigkeitseinstellung ist nur im AUTO-Modus gültig.

Modus - Wählen Sie beim Einschalten des Geräts oder beim Starten des Timers den gewünschten Modus (AUTO / CONTINUOUS) durch Drücken dieser Taste - die dem Modus entsprechende Anzeige leuchtet auf.

ON / OFF Taste - Durch diese Taste wird das Gerät ein-, oder ausgeschaltet.

Arbeitsmethoden

Automatisches Ausschalten des Gerätes durch einen Timer

Wenn der Luftentfeuchter in Betrieb ist, drücken Sie die TIMER-Taste, um die Betriebsdauer von 1 bis 24 Stunden einzustellen. Mit einem Tastendruck erhöhen Sie die Einstellung um 1 Stunde - nach der eingestellten Dauer von 24 Stunden kehrt der Wert auf 1 Stunde zurück. Nach Ablauf der gewählten Zeit schaltet sich das Gerät automatisch ab. Nach Auswahl der gewünschten Betriebsdauer wird der gewählte Wert nach 5 Sekunden gespeichert. Wenn der Timer ausgeschaltet ist, leuchtet die Kontrollleuchte der TIMER-Taste.

Automatisches Einschalten des Geräts über einen Timer

Wenn sich der Luftentfeuchter im Standby-Modus befindet, ist der Vorgang zum Bestimmen der Betriebsdauer mit der TIMER-Taste derselbe wie beim Ausschalten des Timers. Wenn nach

Abschluss der Einstellung die TIMER-Taste innerhalb von 5 Sekunden nicht funktioniert, ist die eingestellte Zeit bestätigt. Wenn der Timer ausgeschaltet ist, leuchtet die Kontrollleuchte der TIMER-Taste und die eingestellte Zeit wird angezeigt.

AUTO Modus

Wählen Sie den AUTO-Modus. Ist die Luftfeuchtigkeit im Raum um + 5 % höher als die eingestellte Luftfeuchtigkeit, schaltet sich der Kompressor ein und der Ventilator läuft mit der bereits eingestellten Drehzahl. Liegt die Luftfeuchtigkeit im Raum zwischen + 5 % oder - 5 % der eingestellten Luftfeuchtigkeit, laufen der Kompressor und der Ventilator mit der eingestellten Geschwindigkeit. Wenn die Luftfeuchtigkeit im Raum um -5 % unter der eingestellten Luftfeuchtigkeit liegt, schaltet sich der Kompressor aus, der Ventilator läuft jedoch mit der eingestellten Drehzahl weiter. Die Standardeinstellung der Luftfeuchtigkeit beträgt 50 %.

Cloth dry Modus (CONTINUOUS)

Wählen Sie die KONTINUIERLICHE Entfeuchtung aus. Unabhängig von der relativen Luftfeuchtigkeit im Raum schaltet sich der Kompressor ein, der Ventilator läuft standardmäßig mit hoher Geschwindigkeit und die Luftgeschwindigkeit kann durch die zuständige Taste reguliert werden.

Trocknungsfunktion der Innenteile des Geräts

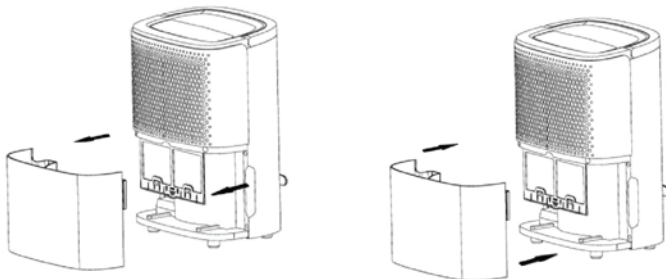
Drücken Sie die Taste TROCKNEN, um den Vorgang zu starten. Das Gerät startet mit HOHER Luftgeschwindigkeit und bläst für 30 Minuten lang kontinuierlich Luft aus. Das Gerät schaltet dann für 15 Minuten auf NIEDRIGE Luftgeschwindigkeit um.

Um den Vorgang zu stoppen, drücken Sie erneut die Taste TROCKNEN. Der vorherigen Betriebsmodus wird erneut gestartet. Durch das Drücken des Netzschalters wird der Vorgang gestoppt und der Standby-Modus fortgesetzt.

Entleeren des Wassertanks

1. Manuelle Entleerung

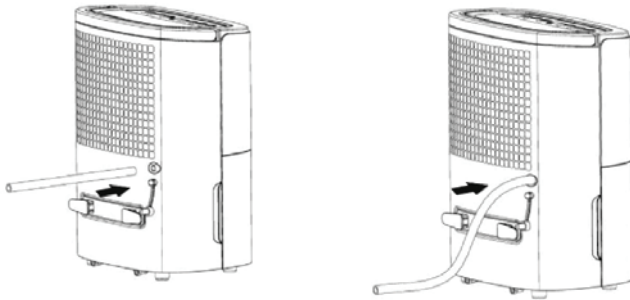
- Wenn der Wassertank voll ist, blinkt das Symbol für den vollen Wassertank auf dem LED-Display (Kompressor, Ventilator werden ausgeschaltet), ein akustisches Signal ertönt 10-mal, um auf den vollen Wassertank aufmerksam zu machen.
- Legen Sie beide Hände seitlich auf die hintere Abdeckung, nehmen Sie den Wassertank vorsichtig ab und öffnen Sie die Tankabdeckung an der rechten Gehäusesseite. Lassen Sie dann das Wasser aus dem Spalt zwischen Wassertank und Abdeckung ab.
- Schließen Sie den Tankdeckel und drehen Sie den Griff des Wassertanks nach unten, setzen Sie dann den Wassertank vorsichtig zurück, um das Gerät neu zu starten.



- Achtung: Wenn der Wassertank voll ist, leeren Sie ihn. Bevor Sie den Wassertank zurück in das Gerät einsetzen, prüfen Sie, ob sich der Schwimmer flexibel drehen kann. Bringen Sie den Tank mit beiden Händen wieder an seinen Platz.

2. Kontinuierliches Entleeren

Wenn Sie den Wassertank nicht häufig entleeren möchten, können Sie einen Abflussschlauch (9 mm Durchmesser innen) an den Entfeuchter anschließen, damit das Wasser automatisch abläuft.



Hinweis: Stellen Sie sicher, dass der Schlauch sicher befestigt ist. Verwenden Sie keinen Schlauch, der länger als 60 cm ist. Der Ablauf darf nicht höher liegen als der Anschluss des Schlauches.

Wartung

Maßnahmen:

- Um das Risiko eines Stromschlags zu verringern, ziehen Sie das Netzkabel ab, bevor Sie Wartungs- oder Reparaturarbeiten durchführen.
- Trennen Sie das Gerät vom Netz, wenn Sie den Luftentfeuchter längere Zeit nicht benutzen.
- Reinigen Sie das Gehäuse des Geräts nicht mit chemischen Lösungsmitteln wie Alkohol, Benzin usw.
- Reinigen Sie den Wassertank und den Deckel regelmäßig mit einem weichen, in kaltem oder warmem Wasser angefeuchteten Tuch, um Schimmel im Luftentfeuchter zu vermeiden.
- Wischen Sie die Oberfläche des Geräts leicht mit einem feuchten Tuch ab und verwenden Sie keine Reinigungs- oder Scheuermittel, da diese die Kunststoffoberfläche beschädigen könnten.
- Reinigen Sie das waschbare Sieb mindestens alle zwei Wochen mit kaltem oder warmem Wasser. Verwenden Sie keine chemischen Lösungsmittel oder heißes Wasser.

Problemlösung

Problem	Mögliche Ursache	Lösung
Das Gerät funktioniert nicht.	<ul style="list-style-type: none"> Das Netzkabel ist nicht angeschlossen. 	<ul style="list-style-type: none"> Schließen Sie das Netzkabel an.
	<ul style="list-style-type: none"> Der Wassertank ist voll oder falsch positioniert. (FL) 	<ul style="list-style-type: none"> Leeren Sie den Tank und bringen Sie ihn in die korrekte Position.
	<ul style="list-style-type: none"> Die Raumtemperatur ist niedriger als 5 °C oder höher als 32 °C. (LO/HI) 	<ul style="list-style-type: none"> Normale Ursache, das Gerät funktioniert unter diesen Bedingungen nicht.
Die Entfeuchtungsfunktion ist nicht effektiv.	<ul style="list-style-type: none"> Raumtemperatur oder Luftfeuchtigkeit ist zu niedrig. 	<ul style="list-style-type: none"> Im Sommer, wenn die Luft trockener ist, ist die Entfeuchtungsfunktion reduziert.
	<ul style="list-style-type: none"> Der Luftauslass ist blockiert. 	<ul style="list-style-type: none"> Entfernen Sie das Hindernis.
Das Gerät lässt keine Luft ab.	<ul style="list-style-type: none"> Der Filter ist verstopft / verschmutzt. 	<ul style="list-style-type: none"> Reinigen Sie den Filter.
Ungewöhnliches Geräusch bei der Entfeuchtung.	<ul style="list-style-type: none"> Das Gerät ist falsch positioniert. 	<ul style="list-style-type: none"> Positionieren Sie das Gerät auf eine ebene und feste Oberfläche.
	<ul style="list-style-type: none"> Der Filter ist verstopft / verschmutzt. 	<ul style="list-style-type: none"> Reinigen Sie den Filter.
	<ul style="list-style-type: none"> Leichtes Rauschen. 	<ul style="list-style-type: none"> Normales Geräusch des Kühlgeräts; dies ist in Ordnung.
Wasserleck	<ul style="list-style-type: none"> Der Anschluss des Ablaufschlauchs ist locker. 	<ul style="list-style-type: none"> Ziehen Sie den Anschluss fest.
	<ul style="list-style-type: none"> Das Ablaufsystem ist verstopft. 	<ul style="list-style-type: none"> Entfernen Sie mögliche Hindernisse und richten Sie den Schlauch gerade.
Frost	<ul style="list-style-type: none"> Die Umgebungstemperatur ist niedrig und das Gerät wartet auf Entfrostern. (P1) 	<ul style="list-style-type: none"> Dies ist normal, das Gerät entfrostat sich automatisch.
LC error	<ul style="list-style-type: none"> Die Kindersicherung ist aktiviert. 	<ul style="list-style-type: none"> Halten Sie die M-Taste 3 Sekunden lang gedrückt.

Die deutsche Version der Anleitung ist eine genaue Übersetzung der Anleitung des Herstellers. Die in diesem Handbuch verwendeten Bilder dienen nur zur Illustration und können nicht genau das Produkt entsprechen.

Sicherheitshinweise zur Installation des Geräts mit dem Kältemittel R290

Stellen Sie das Gerät für mindestens 24 Stunden in aufrechter Position auf, bevor Sie es in Betrieb nehmen, um Beschädigungen zu vermeiden. Stellen Sie sicher, dass der Lufteinlass und -auslass niemals blockiert sind. Betreiben Sie das Gerät immer auf einer waagerechten Fläche, damit kein Wasser aus dem Gerät austritt.

WARNUNG

- Die Impedanz des Netzteils, an das das Gerät angeschlossen ist, darf 0,236 Ohm nicht überschreiten.
- Jede Person, die Reparaturen an Klimaanlage ausführt oder mit Kühlmittel arbeitet, sollte über ein gültiges Zertifikat für diese Arbeiten gemäß den Bestimmungen des jeweiligen Landes verfügen.
- Vergessen Sie bei der Entsorgung der Verpackung oder des Geräts nicht die Umwelt und entsorgen Sie diese auf die richtige Weise.
- Das Gerät sollte in einem gut belüfteten Raum gelagert werden, welcher mit seiner Größe den Betriebsanforderungen entspricht.
- Das Gerät sollte so gelagert werden, dass mechanische Beschädigungen vermieden werden.
- Informationen über Orte, an denen die Installation von Kältemittel-Leitungen zulässig ist, verfügen über folgenden Aussagen:
 - » Die Installation von Rohrleitungen muss auf ein Minimum beschränkt werden
 - » Die Rohrleitungen müssen vor physischen Schäden geschützt werden und dürfen bei Verwendung von brennbaren Kältemitteln nur in belüftete Bereich installiert werden
 - » Die nationalen Vorschriften für Gase sind zu beachten
 - » Die mechanischen Anschlüsse müssen zu Wartungszwecken zugänglich sein
 - » Auf Geräten, die entflammable Kältemittel enthalten, ist der Mindestbereich des Raums anzugeben, in dem das Gerät verwendet werden soll
 - Die erforderlichen Belüftungsöffnungen müssen immer sauber und frei von Verstopfungen sein.
 - Die Wartung darf nur von einem zertifizierten Servicecenter gemäß den Empfehlungen des Herstellers durchgeführt werden.
 - Nach dem Einschalten der tragbaren Klimaanlage oder des Luftentfeuchters kann der Lüfter unter normalen Bedingungen kontinuierlich betrieben werden, um eine Mindestluftmenge von 100 m³ / h zu gewährleisten, auch wenn der Kompressor aufgrund des Temperaturreglers geschlossen ist.
 - Verwenden Sie zum Auftauen oder Reinigen die vom Hersteller empfohlenen Werkzeuge und Mittel.
 - Keine der Kühlkreislaufkomponenten perforieren. Das Kühlmittel kann geruchlos sein.
 - Wartungs- und Reparaturarbeiten, die die Unterstützung anderer qualifizierter Personen erfordern, müssen unter Aufsicht von Fachleuten für brennbare Kältemittel durchgeführt werden.



Brandgefahr

Lesen Sie die Bedienungsanleitung sorgfältig durch, bevor Sie das Gerät verwenden.

Das Kältemittel R290 entspricht den europäischen Umweltrichtlinien.

Das Gerät sollte in einem gut belüfteten Raum von mindestens 4 m² installiert, betrieben und gelagert werden.

Anleitung und Reparatur von Geräten mit dem Kältemittel R290

Überprüfen Sie den Raum

Es muss eine Sicherheitsprüfung durchgeführt werden, um die Brandgefahr zu minimieren, und die folgenden Vorsichtsmaßnahmen müssen getroffen werden, bevor Geräte mit brennbarem Kältemittel in Betrieb genommen werden.

Arbeitsablauf

Alle Arbeiten sollten in Übereinstimmung mit ordnungsgemäßen Verfahren durchgeführt werden, um das Risiko des Vorhandenseins von brennbaren Gasen oder Dämpfen während der Arbeit zu minimieren.

Arbeitsbereich

Alle Wartungs- und sonstigen Mitarbeiter müssen in die ordnungsgemäße Durchführung der Arbeiten eingewiesen werden. Arbeiten auf engstem Raum sind zu vermeiden.

Kältemittel-Kontrolle

Der Bereich muss von einem geeigneten Kältemittelgasdetektor inspiziert werden, um sicherzustellen, dass Arbeiter während des Betriebs keinem Kältemittel ausgesetzt sind. Alle Arbeitnehmer müssen sich bewusst sein, dass sie sich in einem potenziell giftigen und brennbaren Bereich befinden. Stellen Sie sicher, dass der Detektor für alle anwendbaren Kältemittel geeignet ist.

Feuerlöscher

Wenn Arbeiten an der Kühleinrichtung durchgeführt werden sollen, muss eine geeignete Feuerlöschschiene bereitgestellt werden. Halten Sie das trockene Pulver oder einen CO₂-Feuerlöscher in der Nähe.

Keine Zündquellen

Keine Person, die mit dem Kühlsystem arbeitet, darf in irgendeiner Weise Quellen verwenden, die eine Entzündung verursachen können, da dies zu einer Feuer- oder Explosionsgefahr führen kann. Alle möglichen Zündquellen wie Zigaretten, Feuerzeuge usw. sollten weit entfernt vom Aufstellungs-, Reparatur-, Demontage- und Entsorgungsort angebracht werden, da das Kältemittel in die Umgebung gelangen kann. Überprüfen Sie vor dem Ausführen von Arbeiten den Bereich um das Gerät, um sicherzustellen, dass keine Brand- oder Zündgefahr besteht.

Belüfteter Raum

Stellen Sie sicher, dass der Bereich offen oder belüftet ist, bevor Sie Arbeiten ausführen oder das Gerät zerlegen. Der Bereich sollte jederzeit belüftet sein.

Das Kühlgerät prüfen

Wenn elektrische Komponenten ausgetauscht werden, müssen diese für den Zweck und die korrekte Spezifikation geeignet sein. Folgen Sie immer den Wartungs- und Serviceanweisungen des Herstellers. Wenden Sie sich im Zweifelsfall an den Servicetechniker des Herstellers.

Bei Installationen mit brennbaren Kältemitteln sind folgende Prüfungen durchzuführen:

- Die Kältemittelfüllung richtet sich nach der Größe des Raums, in dem die Kältemittel enthaltenden Teile installiert sind
- Lüftungsgeräte und Luftauslässe funktionieren ordnungsgemäß und werden durch nichts blockiert

- Die Markierungen auf dem Gerät müssen immer sichtbar und lesbar sein. Nicht lesbare Schilder sollten korrigiert werden.
- Die Kältemittelleitungen und ihre Komponenten müssen korrosionsbeständig oder in geeigneter Weise gegen Korrosion geschützt sein und dürfen keinen Substanzen ausgesetzt werden, die die Kältemittelleitungen und ihre Komponenten korrodieren können.

Inspektion von elektrischen Geräten

- Die Reparatur und Wartung elektrischer Komponenten sollte erste Sicherheitsprüfungen umfassen. Wenn ein Fehler auftritt, der die Sicherheit beeinträchtigen könnte, darf bis zur Reparatur keine Stromquelle an den Stromkreis angeschlossen werden.
- Erste Prüfung:
 1. Überprüfen Sie, dass die Kondensatoren nicht entladen sind. Die Inspektion sollte auf sichere Weise durchgeführt werden, um die Möglichkeit einer Entzündung zu verhindern.
 2. Alle elektrischen Komponenten und Verkabelungen müssen beim Laden, Wiederherstellen oder Reinigen des Systems isoliert sein.
 3. Alles muss richtig geerdet sein.

Reparatur von geschlossenen Bauteilen

Während der Reparatur von verschlossenen Bauteilen sollten alle Stromquellen getrennt werden. Wenn für die Wartung unbedingt ein Netzteil verwendet werden muss, muss an der kritischsten Stelle ein dauerhaft funktionierender Detektor installiert werden, um auf eine möglicherweise gefährliche Situation aufmerksam zu machen.

Um bei Arbeiten an elektrischen Bauteilen eine Beschädigung des Gehäuses zu vermeiden und so den Schutz verringern, ist Folgendes besonders zu beachten. Reduzierte Schutzstufen umfassen Kabelschäden, übermäßige Verbindungen, Klemmen, die nicht gemäß den ursprünglichen Spezifikationen befestigt wurden, Dichtungsschäden, unsachgemäße Montage usw.

Stellen Sie sicher, dass Dichtungen oder Dichtungsmittel solange nicht beschädigt oder demontiert werden, bis sie nicht mehr dazu dienen, dass brennbare Substanzen in die Atmosphäre gelangen. Verwenden Sie nur Originalersatzteile.

Reparaturen von eigensicheren Bauteilen

Verwenden Sie keine kontinuierliche induktive oder kapazitive Last auf die Ableitung, ohne sicherzustellen, dass die zulässige Spannung und der zulässige Strom nicht überschritten werden.

Nur an eigensicheren Bauteilen kann gearbeitet werden, wenn Sie sich in einer entflammaren Atmosphäre befinden.

Der Austausch von Bauteilen muss vom Hersteller festgelegt werden. Fehlerhafte Komponenten können zu einem Austreten von Kältemittel und einer anschließenden Entzündung führen.

Verkabelung

Überprüfen Sie die Kabel auf Abnutzung, Korrosion, übermäßigen Druck, Vibrationen, scharfe Kanten oder anderen schädlichen Einflüssen auf die Umwelt. Überprüfen Sie auch das Alter des Gerätes und ob ständige Vibrationen von Quellen wie Kompressoren oder Lüftern ausgehen.

Erkennung von brennbarem Kühlmittel

Unter keinen Umständen sollten potenziell brennbare Materialien verwendet werden, um mögliche Kühlmittellecks zu identifizieren. Ein Halogenbrenner (oder ein anderer Detektor mit offenen Flammen) darf nicht verwendet werden.

Entfernen und entleeren

Zum Öffnen des Kühlungskreislaufs für Reparaturen oder andere Zwecke sollten herkömmliche

Verfahren angewendet werden. Für brennbare Kühlmittel ist es jedoch wichtig, nur die am besten geeigneten Verfahren anzuwenden, da die Entflammbarkeit des Materials berücksichtigt werden muss. Das folgende Verfahren sollte befolgt werden:

- Kühlmittel entfernen
- den Kreislauf von Inertgas reinigen
- ausleeren
- mit Inertgas reinigen
- Öffnen durch Schneiden oder Löten

Die Auffüllung des Kältemittelkreises sollte zu den richtigen Kreisläufen zurückgeführt werden. Bei Geräten, die brennbares Kältemittel enthalten, sollte das System mit sauerstofffreiem Stickstoff gereinigt werden, um die Sicherheit des Geräts für brennbares Kältemittel zu gewährleisten. Manchmal kann es notwendig sein, diesen Vorgang mehrmals zu wiederholen. Druckluft oder Sauerstoff sollten nicht zum Reinigen des Kühlsystems verwendet werden.

Bei Geräten, die brennbares Kühlmittel enthalten, sollte das Kühlmittel gereinigt werden, indem ein Unterdruck durch sauerstofffreien Stickstoff erreicht wird, bis der Arbeitsdruck erreicht ist. Dann sollte der Atmosphärendruck wieder erreicht werden und nochmals Unterdruck wiederhergestellt werden. Dieser Vorgang sollte wiederholt werden, bis sich kein Kältemittel mehr im System befindet. Wenn die letzte Menge des sauerstofffreien Stickstoffs verwendet wird, sollte der Atmosphärendruck wiederhergestellt werden, um Arbeiten im System zu ermöglichen. Diese Vorgehensweise ist unbedingt erforderlich, wenn an der Rohrleitung gelötet werden soll.

Stellen Sie sicher, dass sich der Ausgang der Vakuumpumpe nicht in der Nähe einer möglichen Brandquelle befindet und dass der Bereich ausreichend belüftet ist.

Abfüllvorgang

Zusätzlich zu den herkömmlichen Verfahren sollten die folgenden Anforderungen eingehalten werden.

- Stellen Sie sicher, dass beim Befüllen kein Kältemittel mit anderen kontaminiert wird. Rohre und Leitungen sollten so kurz wie möglich gehalten werden, um den Kältemittelgehalt zu minimieren.
- Die Zylinder müssen wie angewiesen in der richtigen Position gehalten werden.
- Stellen Sie sicher, dass der Kältemittelkreislauf vor dem Einfüllen des Kältemittels geerdet ist.
- Beschildern Sie das System, sobald das Befüllen abgeschlossen ist (falls noch nicht geschehen).
- Achten Sie darauf, dass Sie das System nicht überfüllen.

Überprüfen Sie vor dem Nachfüllen des Systems den Druck mit einem geeigneten Waschgas. Das System sollte nach dem Nachfüllen, jedoch vor der Inbetriebnahme, auf Kältemittel leaks überprüft werden. Vor Verlassen der Stelle sollte eine anschließende Prüfung auf Lecks durchgeführt werden.

Außerbetriebnahme

Vor dem Ausführen dieses Schritts ist es wichtig, dass der Techniker das Gerät und alle Details vollständig kennt. Es wird empfohlen, das Kältemittel sicher abzudecken. Vor dem Betrieb sollte eine Öl- und Kühlmittelprobe entnommen werden, falls vor der Wiederverwendung des Kühlmittels eine Analyse durchgeführt werden muss. Vor Beginn der Arbeiten muss Strom zur Verfügung stehen.

- a) Machen Sie sich mit dem Gerät und seiner Bedienung vertraut.
- b) Trennen Sie das System von der Stromversorgung.
- c) Stellen Sie vor dem Ausführen des Verfahrens Folgendes sicher:

- Bei Bedarf steht ein mechanisches Gerät zur Manipulierung mit dem Behälter zur Verfügung.
 - Persönliche Schutzausrüstung ist verfügbar und wird ordnungsgemäß verwendet.
 - Die Überwachung des Verfahrens durch die zuständige Person ist gewährleistet.
 - Ausrüstung und Behälter entsprechen den geltenden Normen.
- d) Pumpen Sie das Kühlsystem aus, wenn möglich.
- e) Wenn kein Vakuum erreicht werden kann, erstellen Sie einen Verteiler zum Entfernen des Kältemittels aus verschiedenen Teilen des Systems.
- f) Starten Sie das Wechselgerät und folgen Sie den Anweisungen.
- g) Überfüllen Sie den Behälter nicht (nicht mehr als 80% des Flüssigkeitsvolumens).
- h) Überschreiten Sie nicht den maximalen Arbeitsdruck im Behälter, auch nicht vorübergehend.
- i) Stellen Sie vor dem Trennen der Leitungen sicher, dass alle Ventile am Gerät geschlossen sind.
- j) Das Kältemittel zum Austausch darf nur dann in ein anderes Kühlsystem eingefüllt werden, wenn es gereinigt und geprüft wurde.

Beschilderung

Das Gerät ist so zu kennzeichnen, dass klar ist, dass es außer Betrieb genommen wurde und das Kältemittel entfernt wurde. Das Schild sollte datiert und unterschrieben sein. Stellen Sie bei Geräten mit brennbarem Kältemittel sicher, dass auf dem Schild die Information ist, dass das Gerät brennbares Kältemittel enthält.

Austausch

Wenn Sie Kältemittel zur Außerbetriebnahme oder Wartung aus dem System entfernen, wird empfohlen, das Kältemittel sicher zu entfernen.

Verwenden Sie zum Umfüllen des Kältemittels in den Behälter einen ausreichend großen Behälter. Stellen Sie sicher, dass ausreichend Platz für die gesamte Füllung des Kühlsystems vorhanden ist. Alle verwendeten Behälter müssen für das Kältemittel ausgelegt und mit der Art des Kältemittels gekennzeichnet sein (z. B. spezielle Rückgewinnungsbehälter). Behälter sollten mit einem Überdruckventil und Absperrventilen ausgestattet sein, die in einwandfreiem Zustand sind. Leere Behälter sollten vor der Wiederverwendung geleert und vorzugsweise gereinigt werden.

Das Ersatzgerät muss in einwandfreiem Zustand sein und es sollten Anweisungen zum Gerät zur Verfügung stehen, um geeignetes Kältemittel, auch brennbares, wiederzugewinnen. Außerdem sollten kalibrierte Waagen in einwandfreiem Zustand verfügbar sein. Die Schläuche müssen in gutem Zustand und mit nicht beschädigten Verbindungen und Ventilen sein. Vergewissern Sie sich vor der Verwendung des Geräts, dass es sich in einem einwandfreien Zustand befindet, ordnungsgemäß gewartet wird und dass alle elektrischen Komponenten geschützt sind, um eine Entzündung zu verhindern, wenn Kältemittel freigesetzt werden sollte. Wenden Sie sich im Zweifelsfall an den Hersteller.

Das austauschbare Kältemittel ist mit dem beigefügten Hinweis zum ordnungsgemäßen Recycling in der richtigen Ersatzflasche an den Kältemittellieferanten zurückzugeben. Kältemittel nicht in Wechseleinheiten und insbesondere nicht in Zylindern mischen.

Wenn der Kompressor oder das Kompressor-Öl entfernt werden soll, stellen Sie sicher, dass diese bis zu einem ausreichenden Stand entleert sind, damit das brennbare Kältemittel im Schmiermittel verbleibt. Der Entleerungsvorgang muss durchgeführt werden, bevor der Kompressor an den Lieferanten zurückgesandt wird. Nur die elektrische Beheizung des Kompressor-Körpers kann zur Beschleunigung dieses Vorgangs verwendet werden. Beim Ablassen von Öl aus dem System ist Vorsicht geboten.



Děkujeme, že jste si zakoupili náš produkt!

Před použitím si pečlivě přečtete tento manuál.

Bezpečnostní instrukce

- Zařízení uvádějte do provozu na rovném a stabilním povrchu, abyste zabránili vibracím a hluku.
- Zařízení nesmí přijít do styku s vodou nebo jinými kapalinami.
- Nepoužívejte toto zařízení, pokud má poškozený napájecí kabel nebo jiné obvody. Mohlo by dojít k úrazu.
- Toto zařízení mohou používat děti ve věku od 8 let a osoby se sníženými fyzickými, smyslovými nebo duševními schopnostmi nebo bez zkušeností a znalostí, pokud byli pod dohledem dospělé osoby nebo byli poučeni o bezpečném používání spotřebiče a rozuměli souvisejícímu nebezpečí. Děti si s tímto zařízením nesmí hrát. Čištění a údržbu by neměly provádět děti bez dozoru.
- Po vypnutí a před resetováním a údržbou vždy odpojte zařízení ze zásuvky.
- Pouze k vnitřnímu použití.
- Před restartováním zařízení vyprázdněte nádrž na vodu, abyste zabránili jejímu přeplnění.
- Zařízení nenaklánějte, aby se nepoškodilo možným vylitím vody z její nádrže.
- Nevkládejte do zařízení žádné tvrdé předměty. Mohlo by dojít k jeho poškození.
- V případě, že dojde k poškození napájecího kabelu, musí být vyměněn servisním technikem. Nikdy se nepokoušejte kabel opravovat sami.
- Nepoužívejte odvlhčovač v prašném prostředí (stavby a podobně).
- Před jakoukoliv manipulací se spotřebičem je nutné vyprázdnit obě nádržky (přední i zadní, která je pro připojení hadičky). Při skladování nebo přemísťování spotřebiče jej nikdy nepokládejte.

Upozornění:

- Nepokládejte zařízení do blízkosti tepelných zdrojů (radiátor, přímotop, kamna atp.).
- Nevypínejte zařízení vytažením ze zásuvky.
- V okolí zařízení nepoužívejte žádné hořlavé látky.
- Nečistěte zařízení vodou. Vždy použijte lehce navlhčený jemný hadřík.
- Neotírejte zařízení chemikáliemi. Pokud je zařízení znečištěno, použijte neutrální čisticí prostředek.
- Nenaklánějte zařízení o více než 45 °ani je nepokládejte vzhůru nohama.

Časté otázky

Proč se v zimě akumuluje méně vody v nádrži na vodu?

V zimě jsou nízké teploty a suchý vzduch, tudíž zařízení zachytí méně vlhkosti než v létě.

Proč se zařízení nezapne nebo se svévolně vypne?

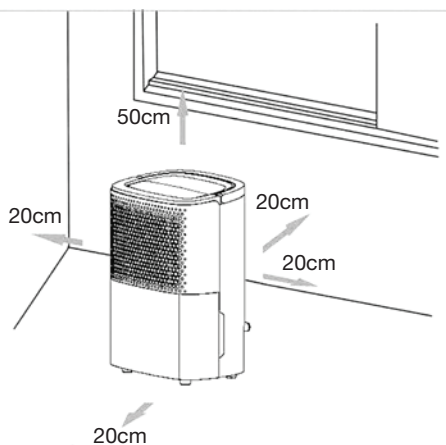
Nádrž na vodu může být plná nebo špatně umístěná. Vylejte vodu z nádrže nebo nádrž umístěte do správné polohy. Okolní teploty mohou být nedostatečné pro správnou funkci zařízení. Odvlhčování nemůže probíhat, pokud jsou teploty nižší než 5 °C nebo vyšší než 32 °C. (Optimální používání zařízení je v rozmezí 16-32 °C.)

Proč z výstupu přívodu vzduchu fouká horký vzduch?

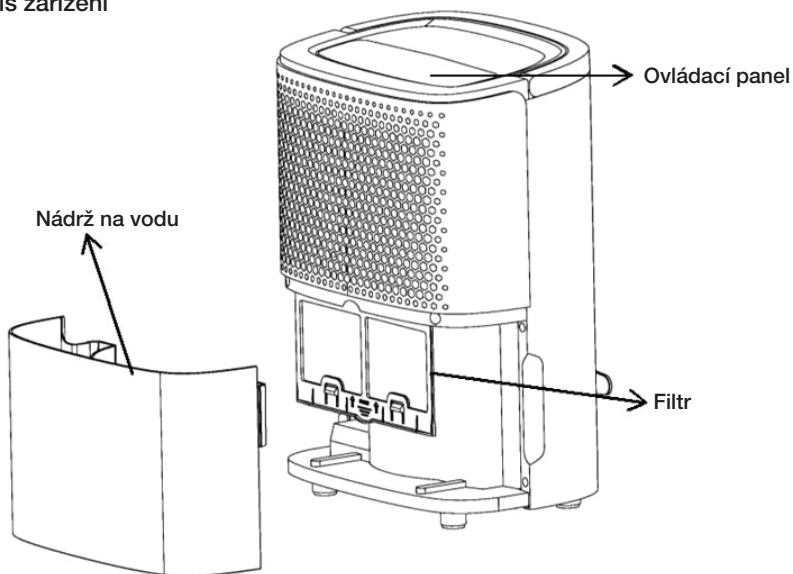
Zařízení extrahuje vzduch v místnosti a odvlhčovací jednotka jej chladí, teplota klesne pod bod kondenzace, vzduch kondenzuje na kapky vody, které nakonec spadnou do nádrže na vodu, a odvlhčený vzduch se ohřívá jednotkou vracející teplotu. To může snížit spotřebu energie a také urychlit odvlhčování, proto je vyfukován horký vzduch. Nejedná se o závadu.

Instalace zařízení

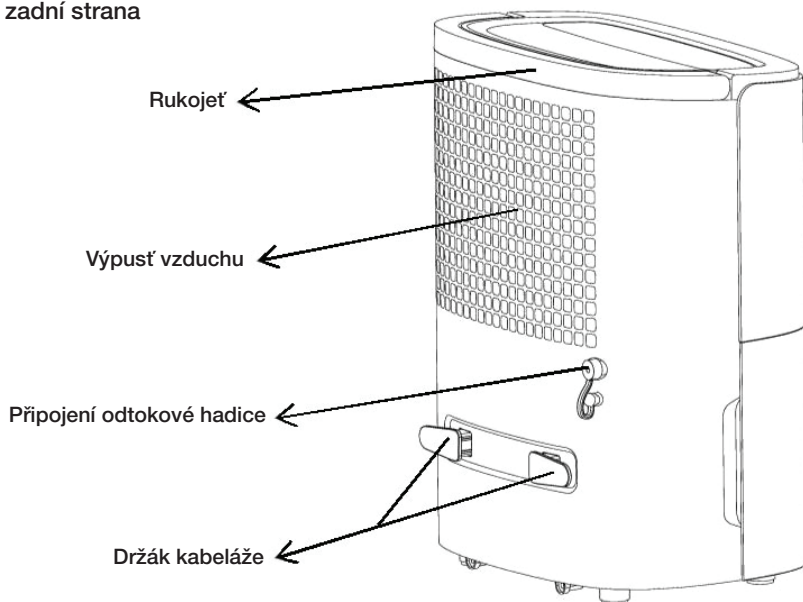
- Před spuštěním spotřebiče vypusťte vodu z nádrže na vodu.
- Když je spotřebič zapnutý, neotevírejte dveře a okna, pokud je to možné - může to šetřit energetické zdroje.
- Když je odvlhčovač nainstalován, musí být kolem něj vyhrazen určitý prostor. Nad spotřebičem 50 cm a 20 cm v jakémkoli jiném směru, jak je znázorněno na obrázku níže.
- Pokud je při provozu tohoto odvlhčovače zjištěn velký hluk: Doporučuje se pod tento přístroj vložit podložky nebo tlumící gumu. Může snížit vibrace a hluk a může také snížit poškození dřevěné podlahy nebo koberce (v důsledku vibrací nebo úniku vody).



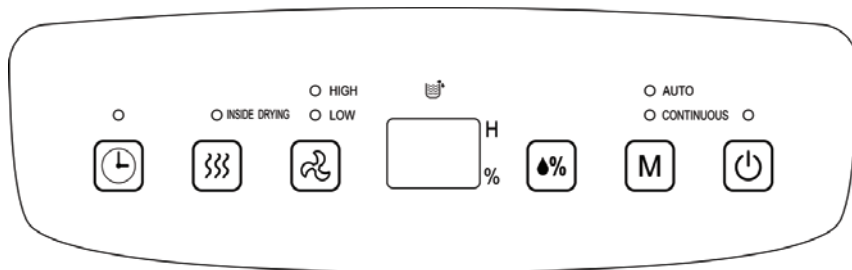
Popis zařízení



zadní strana



Ovládací panel



Nastavení času - Stisknutím tohoto tlačítka nastavíte čas, jak dlouho má odvlhčovač fungovat. Rozsah nastavení je 0-24 hodin – jedno stisknutí navýší čas o 1 hodinu. Stisknete dlouze pro zrušení nastavení.

Funkce vysoušení vnitřních částí přístroje - Stisknutím tohoto tlačítka zahájíte proces sušení v přístroji. To může zabránit tvorbě plísní kvůli vlhkému prostředí uvnitř zařízení. Celá procedura sušení trvá přibližně jednu hodinu. Dalším stisknutím tohoto tlačítka tuto funkci zrušíte a obnovíte předchozí spuštěný program.

Větrák - Stiskněte toto tlačítko v AUTO a Cloth dry módu, pokud chcete změnit rychlost větráku (cirkulace vzduchu).

LED displej - V AUTO a Cloth dry módu ukazuje aktuální vlhkost v místnosti. V módu nastaveného času ukazuje nastavený čas.

Nastavení vlhkosti - Jakkmile stisknete toto tlačítko, vlhkost se zobrazí v rozsahu 30% - 80%. Nastavení vlhkosti je platné pouze v režimu AUTO.

Režim - Během zapnutí spotřebiče nebo spouštění časovače vyberte požadovaný režim (AUTO/CONTINUOUS) stisknutím této klávesy - svítí indikátor odpovídající režimu.

Tlačítko ON/OFF - Stisknutím tohoto tlačítka zapnete nebo vypnete spotřebič.

Provozní metody

Automatické vypnutí zařízení pomocí časovače

Když je odvlhčovač v provozu, stiskněte tlačítko TIMER pro nastavení času od 1 do 24 hodin. Jedním stisknutím tlačítka zvýšíte nastavení o 1 hodinu - po uplynutí nastaveného času 24 hodin se hodnota vrátí zpět na 1 hodinu. Po uplynutí zvolené doby se zařízení automaticky vypne. Po zvolení požadovaného času se zvolená hodnota uloží po 5 vteřinách. Ve vypnutém časovači svítí kontrolka na tlačítku TIMER.

Automatické zapnutí zařízení pomocí časovače

Když je odvlhčovač v standby režimu, je metoda pro určení doby nastavení tlačítkem TIMER stejná jako vypnutí časovače. Po dokončení nastavení, pokud tlačítko TIMER do 5 sekund vůbec nepracuje, je nastavený čas potvrzen. Ve vypnutém stavu časovače svítí kontrolka na tlačítku TIMER a nastavený čas se zobrazuje na ovládacím panelu.

AUTO mód

Zvolte režim automatického odvlhčování. Pokud je vlhkost v místnosti vyšší než nastavená vlhkost nebo je mezi + 5 % nebo - 5 % nastavené vlhkosti, spustí se kompresor a ventilátor nastavenou rychlostí. Pokud je vlhkost v místnosti nižší než nastavená vlhkost o - 5 %, pak se kompresor zastaví, ale ventilátor stále funguje nastavenou rychlostí. Výchozí nastavená hodnota vlhkosti je 50 %.

Cloth dry mód (CONTINUOUS)

Zvolte režim kontinuálního ovlhčování. Bez ohledu na relativní vlhkost v místnosti se spustí kompresor, ve výchozím nastavení se spustí ventilátor vysokou rychlostí a rychlost ventilátoru lze regulovat pomocí tlačítka rychlosti ventilátoru.

Funkce vysoušení vnitřních částí přístroje

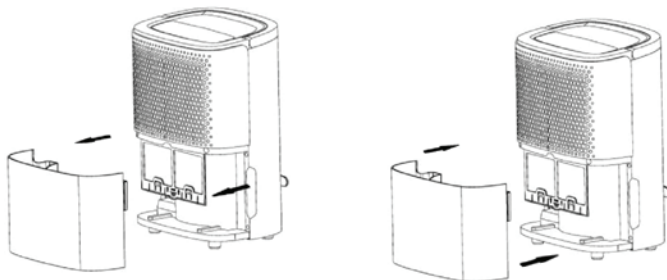
Stisknutím tlačítka SUŠENÍ spustíte proces sušení. Spotřebič se spustí při VYSOKÉ rychlosti vzduchu a nepřetržitě vypouští vzduch po dobu 30 minut. Spotřebič se poté přepne na NÍZKOU rychlost vzduchu a na 15 minut.

- Chcete-li proces zastavit, stiskněte znovu tlačítko SUŠENÍ pro zrušení procesu a obnovení do předchozího provozního režimu. Nebo stisknutím tlačítka napájení zastavte proces a obnovte standby režim.

Vyprázdnění nádržky na vodu

1. Manuální odvodnění

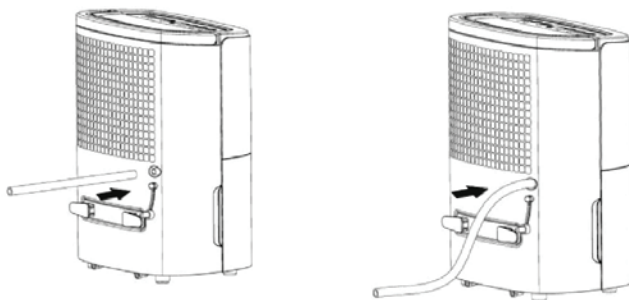
- Když je nádrž na vodu plná, na LED displeji bliká ikona plné nádrže na vodu (kompresor, ventilátor se vypnou), 10krát zazní zvukový signál, který uživatele na plnou nádrž upozorní.
- Položte obě ruce na boční strany zadního krytu, opatrně vyjměte nádržku na vodu a otevřete kryt nádrže na pravé straně těla, poté vodu vylijte z mezery mezi nádržkou na vodu a krytem.



- Zavřete kryt nádrže a otočte rukojetí nádrže na vodu dolů, potom nádržku na vodu opatrně vložte zpět, aby se spotřebič restartoval.
- Pozor: pokud je nádrž na vodu plná, vyprázdněte ji. Před vložením nádrže na vodu do odvlhčovače zkontrolujte, zda se plovák pružně otáčí nebo ne, pak ji oběma rukama vraťte na své místo.

2. Kontinuální odvod vody

- Pokud nechcete často vypouštět nádrž na vodu, k odvlhčovači připojit odtokovou hadici (s vnitřním průměrem 9 mm) k připojení odtokové hadice, aby se voda vypouštěla automaticky.
- Poznámka: Ujistěte se, že je hadice pevně připevňená. Nepoužívejte hadici delší než 60 cm. Odtok nesmí být umístěn výše než připojení odtokové hadice.



Údržba

Opatření:

- Před údržbou nebo opravou odpojte napájecí kabel, aby nedošlo k úrazu elektrickým proudem.
- Pokud odvlhčovač delší dobu nepoužíváte, odpojte napájení.
- Nečistěte tělo spotřebiče chemickými rozpouštědly, jako je alkohol, benzín atd.
- Nádržku na vodu a její kryt pravidelně čistěte měkkým hadříkem navlhčeným ve studené nebo teplé vodě, abyste zabránili vzniku plísní uvnitř odvlhčovače.
- Povrch spotřebiče lehce otřete vlhkým hadříkem a nepoužívejte saponáty ani abraziva, mohlo by dojít k poškození plastového povrchu.
- Omyvatelné sítko čistěte nejméně jednou za dva týdny studenou nebo teplou vodou. Nepoužívejte chemická rozpouštědla ani horkou vodu.

Řešení problémů

Problém	Možná příčina	Řešení
Zařízení nefunguje.	<ul style="list-style-type: none"> Napájecí kabel je odpojený. 	<ul style="list-style-type: none"> Zapojte jej do zásuvky.
	<ul style="list-style-type: none"> Nádrž na vodu je plná nebo je špatně umístěná. (FL) 	<ul style="list-style-type: none"> Vyprázdněte ji a dejte ji do správné polohy.
	<ul style="list-style-type: none"> Pokojeová teplota je nižší než 5 °C nebo vyšší než 32 °C. (LO/HI) 	<ul style="list-style-type: none"> Normální příčina, přístroj za těchto podmínek nebude fungovat.
Funkce odvlhčování není efektivní.	<ul style="list-style-type: none"> Pokojeová teplota nebo vlhkost je příliš nízká. 	<ul style="list-style-type: none"> V letním období, kdy je více sucha je funkce odvlhčování snižena.
	<ul style="list-style-type: none"> Výpust' vzduchu je blokována. 	<ul style="list-style-type: none"> Odstraňte překážku.
Zařízení nevypouští vzduch.	<ul style="list-style-type: none"> Filtr je blokováný/znečištěný. 	<ul style="list-style-type: none"> Vyčistěte jej.
Abnormální hluk při odvlhčování.	<ul style="list-style-type: none"> Zařízení je špatně umístěno. 	<ul style="list-style-type: none"> Postavte je na rovný a pevný povrch.
	<ul style="list-style-type: none"> Filtr je blokováný/znečištěný. 	<ul style="list-style-type: none"> Vyčistěte jej.
	<ul style="list-style-type: none"> Lehký hluk. 	<ul style="list-style-type: none"> Normální zvuk chladicího zařízení; v pořádku.
Únik vody	<ul style="list-style-type: none"> Připojení odtokové hadice je uvolněné. 	<ul style="list-style-type: none"> Utáhněte je.
	<ul style="list-style-type: none"> System odtoku je ucpaný. 	<ul style="list-style-type: none"> Odstraňte překážky a narovnejte hadici.
Zámraza	<ul style="list-style-type: none"> Okolní teplota je nízká a je ve stavu čekání na odmrazení. (P1) 	<ul style="list-style-type: none"> Je to normální jev, spotřebič má funkci automatického odmrazování.
LC error	<ul style="list-style-type: none"> Dětský zámek je aktivován. 	<ul style="list-style-type: none"> Stiskněte a podržte tlačítko M po dobu 3 sekund.

Česká verze návodu je přesným překladem originálního návodu výrobce.

Fotografie použité v manuálu jsou pouze ilustrační a nemusí se přesně shodovat s výrobkem.

Bezpečnostní instrukce pro instalaci přístroje používající chladicí plyn R290

Aby nedošlo k poškození, před zahájením provozu přístroj umístěte alespoň na 24h do vzpřímené polohy.

Ujistěte se, že přívod a vývod vzduchu není nikdy ucpán.

Přístroj provozujte vždy pouze na horizontálním povrchu, aby nedocházelo k úniku vody z přístroje.

VAROVÁNÍ

- Nepřekračujte vyšší impedanci než 0,236 ohm v napájení, ke kterému je spotřebič připojen.
- Každá osoba, která se zabývá opravami klimatizace, nebo prací s chladicí kapalinou, by měla být držitelem platného certifikátu pro tyto práce podle předpisů v dané zemi.
- Při likvidaci obalu nebo přístroje, nezapomeňte na životní prostředí a zlikvidujte jej do příslušného odpadu.
- Přístroj by měl být skladován v dobře ventilovaném prostředí, kde velikost prostoru pokoje odpovídá požadavkům na provoz.
- Přístroj by měl být skladován tak, aby nedošlo k mechanickému poškození.
- Informace o místech, kde je povolená instalace potrubí pro chladicí plyn, zahrnují tato prohlášení:
 1. instalace potrubí musí být omezena na minimum
 2. potrubí musí být chráněno před fyzickým poškozením a v případě používání hořlavých chladiv, nesmí být instalován v nevětraném prostoru
 3. je třeba dodržovat vnitrostátní předpisy o plynárenství
 4. mechanické připojky musí být přístupné pro účel údržby
 5. na zařízení obsahující hořlavá chladiva, by měla být uvedena minimální plocha místnosti, ve které bude přístroj používán
- Požadované ventilační otvory musí být vždy čisté a neucpané.
- Servis musí být prováděn pouze certifikovaným servisním střediskem podle doporučení výrobce.
- Po zapnutí přenosné klimatizace nebo odvlhčovače může ventilátor pracovat v normálních podmínkách nepřetržitě tak, aby byl zajištěn minimální objem vzduchu 100 m³ / h, i když je kompresor uzavřen kvůli regulátoru teploty.
- Pro odmrazování nebo čištění použijte nástroje a prostředky doporučené výrobcem.
- Neperforujte žádný z komponentů chladicího obvodu. Chladicí plyn může být bez zápachu.
- Údržbu a opravy, které vyžadují pomoc jiného kvalifikovaného personálu, musí být prováděny pod dohledem specialistů na používání hořlavých chladiv.



Hrozí nebezpečí požáru

Před použitím přístroje si pečlivě přečtěte návod k použití.

Chladicí plyn R290 splňuje evropské směrnice o životním prostředí.

Přístroj by měl být nainstalován, provozován a uskladňován v dobře větrané místnosti o ploše minimálně 4 m².

Instrukce a opravy zařízení používající plyn R290

Zkontrolujte prostor

Před zahájením provozu přístrojů obsahujících hořlavé chladivo je nezbytné provést bezpečnostní kontrolu, aby se minimalizovalo riziko vzniku požáru a je třeba provést následující opatření.

Postup práce

Veškeré práce se provádějí podle nařízeného postupu, aby se minimalizovalo nebezpečí přítomnosti hořlavého plynu nebo výparů v průběhu práce.

Pracovní prostor

Všichni zaměstnanci údržby a ostatní pracovníci musí být poučeni o správném provádění práce. Je třeba se vyvarovat práci ve stísněném prostoru.

Kontrola přítomnosti chladiva

Prostor musí být zkontrolován příslušným detektorem chladicího plynu, aby techničtí pracovníci byli ujisti, že během práce nedošlo k úniku chladiva. Všichni pracovníci si musí být vědomi, že se nachází v potencionálně toxickém a hořlavém prostoru. Ujistěte se, že zařízení pro detekci úniku plynu je vhodné pro použití se všemi použitelnými chladivy.

Přítomnost hasicího přístroje

Pokud mají být na chladicím zařízení prováděny jakékoliv práce, musí být k dispozici vhodné zařízení pro hašení požáru. Hasicí přístroj se suchým práškem nebo CO₂ mějte blízko po ruce.

Žádné zdroje vznícení

Žádná osoba, která provádí práci s chladicím systémem, nesmí jakkoliv používat zdroje, které mohou způsobit vznícení, jelikož to může vést k nebezpečí požáru nebo výbuchu. Všechny možné zdroje vznícení, jako jsou cigarety, zapalovače atd. by měli být umístěny dostatečně daleko od místa instalace, opravy, odstraňování a likvidace, neboť může dojít k uvolnění chladiva do okolního prostoru. Před prováděním práce je třeba prověřit oblast kolem zařízení a ujistit se, že nehrozí nebezpečí požáru nebo nebezpečí vznícení.

Ventilovaný prostor

Před prováděním prací nebo rozebíráním přístroje se ujistěte, že prostor je otevřený nebo dostatečně ventilovaný. Prostor by měl být ventilovaný po celou dobu jakékoliv práce.

Kontrola chladicího zařízení

Pokud jsou elektrické součástky vyměňovány, musí být vhodné pro daný účel a správnou specifikaci. Celou dobu se řiďte pokyny pro údržbu a servis od výrobce. Pokud jste na pochybách, obraťte se na servisního technika výrobce.

Při instalacích s použitím hořlavých chladiv se musí provést následující kontroly:

- náplň chladiva je v souladu s velikostí prostoru, ve kterém jsou části s obsahem chladiva instalovány
- větrací zařízení a vývody vzduchu fungují přiměřeně a nejsou ničím zablokovány
- značky na zařízení musí být stále viditelné a čitelné. Značky, které nejsou čitelné by měly být opraveny.
- chladicí potrubí a jeho součásti musí být odolné vůči korozi nebo být proti korozi vhodné chráněny a nesmí být vystaveny jakékoliv látce, která může chladicí potrubí a jeho součásti korodovat.

Kontrola elektrických zařízení

Opravy a údržby elektrických komponentů by měly zahrnovat počáteční bezpečnostní kontroly. Pokud dojde k poruše, která by mohla ohrozit bezpečnost, nesmí být k obvodu připojen žádný elektrický zdroj, dokud nebude provedena oprava.

Počáteční kontrola:

- Zjistěte, jestli kondenzátory nejsou vybité. Kontrola by měla být provedena bezpečným způsobem, aby se zabránilo možnosti vzplanutí.
- Při nabíjení, obnovování nebo čištění systému musí být izolovány všechny elektrické součástky a elektrické vedení.
- Vše musí být správně uzemněno.

Opravy uzavřených součástek

Během opravy uzavřených součástek by měly být všechny elektrické zdroje odpojeny. Pokud je naprostě nezbytné používat při servisu elektrické napájení, pak musí být v nejkritičtějším bodě umístěna trvale fungující detekce úniků plynu, která upozorňuje na potenciálně nebezpečnou situaci.

Zvláštní pozornost je třeba věnovat následujícím skutečnostem, aby se při práci na elektrických součástech nepoškodil plášť tak, že by byla snížena úroveň ochrany. Snížená úroveň ochrany zahrnuje poškození kabelů, nadměrný počet připojení, svorky, které nebyly připevněny podle původních specifikací, poškození těsnění, nesprávná montáž atd.

Zajistěte, aby těsnění nebo těsnící materiály nebyly degradovány až do okamžiku, kdy už nebudou sloužit k zabránění pronikání hořlavých látek do ovzduší. Používejte pouze originální náhradní díly.

Opravy komponentů s jiskrovou bezpečností

Nepoužívejte žádné trvalé induktivní nebo kapacitní zatížení na odvodu, aniž byste se ujistili, že to nepřekročí povolené napětí a proud.

Komponenty s jiskrovou bezpečností jsou jedinými typy, na kterých lze pracovat, zatímco jste v přítomnosti hořlavého ovzduší.

Výměna komponentů musí být specifikována výrobcem. Nesprávné komponenty mohou způsobit únik chladiva a následné vznícení.

Kabeláž

Zkontrolujte, zda kabely nejsou vystaveny opotřebení, korozi, nadměrnému tlaku, vibracím, ostrým hranám nebo jiným nepříznivým vlivům na životní prostředí. Také zkontrolujte stáří nebo neustálé vibrace ze zdrojů, jako jsou kompresory nebo ventilátory.

Detekce hořlavé chladicí kapaliny

Za žádných okolností nesmí být pro hledání případného úniku chladicí kapaliny použity potencionální hořlaviny. Nesmí být použit halogenový hořák (nebo jakýkoli jiný detektor využívající otevřený plamen).

Odstranění a vyprázdnění

Při otvírání chladicího obvodu kvůli opravám nebo jakémukoliv jinému účelu, by měly být užívány konvenční postupy. Nicméně u hořlavých chladicích kapalin je důležité používat jen ty nejhodnější postupy, protože musí být brána v úvahu hořlavost materiálu. Měl by být dodržován následující postup:

- odstranit chladicí kapalinu
- vyčistit okruh od inertního plynu
- vyprázdnit
- vyčistit inertním plynem
- otevřít okruh rozříznutím nebo pájením

Náplň chladicího okruhu by měla být vrácena do správných okruhů. U zařízení, které obsahují hořlavé chladivo, by měl být systém vyčištěn bezkyslíkovým dusíkem, aby bylo zařízení bezpečné pro hořlavé chladivo. Někdy může být potřebné tuto proceduru několikrát zopakovat. Pro čištění

chladicího systému by neměl být používán stlačený vzduch nebo kyslík.

U zařízení obsahujících hořlavé chladivo, by mělo být čištění chladicí kapaliny provedeno dosažením podtlaku prostřednictvím bezkyslíkového dusíku dokud není dosaženo hodnoty pracovního tlaku,

potom navrácením atmosférického tlaku a znovudosažením podtlaku. Tento proces by měl být opakován tak dlouho, dokud v systému není žádné chladivo. Ve chvíli, kdy je použita poslední várka bezkyslíkového dusíku, mělo by dojít k navrácení atmosférického tlaku, aby byla umožněna práce v systému. Tato procedura je absolutně zásadní, pokud se má na potrubí provádět pájení.

Zajistěte, aby vývod vakuové pumpy nebyl v blízkosti jakéhokoliv potencionálního zdroje požáru a že je toto místo dostatečně odvětrané.

Proces plnění

Kromě konvenčních postupů by měly být dodržovány následující požadavky.

- Zajistěte, aby při plnění nedošlo ke kontaminaci jinými chladivy. Hadičky a vedení by měly být co nejkratší, aby v nich byl minimalizován obsah chladiva.
- Válce by měly být uchovávány ve správných polohách podle instrukcí.
- Zajistěte, aby byl chladicí okruh uzemněn před plněním chladivem.
- Oštitkujte systém, jakmile je plnění dokončené (pokud to již není hotové).
- Věnujte zvýšenou pozornost tomu, abyste systém nepřeplnili.

Před znovunaplněním systému zkontrolujte tlak vhodným čistícím plynem. Systém by měl být zkontrolován z hlediska možného úniku chladiva po jeho doplnění, ale před uvedením do provozu. Následný test úniku chladiva by měl být proveden před opuštěním místa.

Vyřazení z provozu

Před provedením tohoto kroku je zásadní, aby měl technik úplné znalosti ohledně tohoto zařízení a všech jeho detailů. Je doporučeno, aby bylo chladivo bezpečně zakryto. Před prováděním úkonu by měl být odebrán vzorek oleje a chladiva pro případ, že by před opětovným použitím tohoto chladiva bylo třeba provést analýzu. Před zahájením úkolu je nezbytné mít k dispozici elektrickou energii.

- Seznamte se se zařízením a jeho provozem.
 - Izolujte systém od elektřiny.
 - Před provedením úkonu zajistěte, že:
1. Pokud je potřeba, je dostupné mechanické manipulační zařízení pro manipulaci s nádobou.
 2. Jsou dostupné osobní ochranné prostředky a jsou správně používány.
 3. Je zajištěn dohled kompetentní osoby nad celou procedurou.
 4. Vybavení a nádoby vyhovují příslušným normám.
- Pokud je to možné, vypumpujte chladicí systém.
 - Pokud není možné dosáhnout vakua, vytvořte rozdělovač, aby mohlo být chladivo odstraněno z různých částí systému.
 - Spusťte výměnné zařízení a postupujte podle instrukcí.
 - Nepřepĺňujte nádobu (ne více než 80 % objemu kapaliny).
 - Nepřekračujte maximální možný pracovní tlak v nádobě, ani dočasně.
 - Před odpojením potrubí se ujistěte, že než jej odpojíte, jsou všechny ventily na zařízení uzavřené.
 - Výměnné chladivo nesmí být naplněno do jiného chladicího systému, pokud nebylo vyčištěno a zkontrolováno.

Štítkování

Zařízení by mělo být oštítkováno tak, aby bylo jasné, že bylo vyřazeno z provozu a bylo z něj odstraněno chladivo. Štítek by měl být označen datem a podepsán. U zařízení, které obsahují hořlavé chladivo, se ujistěte, že štítek obsahuje informaci o tom, že obsahuje hořlavé chladivo.

Výměna

Při odstraňování chladiva ze systému za účelem vyřazení z provozu nebo servisu, je doporučováno, aby bylo chladivo odstraněno bezpečně.

Při přesunu chladiva do nádoby se ujistěte, že používáte dostatečně velikou nádobu. Zajistěte, abyste měli k dispozici dostatečný prostor pro uchování celé náplně chladicího systému.

Všechny používané nádoby musí být určeny pro dané chladivo a označeny daným typem chladiva (např. speciální nádoby pro obnovu chladiva). Nádoby by měly být opatřeny tlakovým odvodušňovacím ventilem a uzavíracími ventily v dobrém provozním stavu. Prázdné nádoby by měly být vyprázdněny a pokud možno vyčištěny před dalším použitím.

Zařízení na výměnu by mělo být v dobrém provozním stavu a měly by být k dispozici instrukce k zařízení vhodné k obnově všech vhodných chladiv, včetně hořlavých. Navíc by měly být k dispozici kalibrované váhy v dobrém provozním stavu. Hadičky musí být v pořádku a neporušené s odpouštěcími spojkami. Před použitím výměnného zařízení zkontrolujte, zda je v uspokojivém stavu, zda je správně udržováno a zda jsou všechny elektrické součásti utěsněny tak, aby se zabránilo vznícení v případě uvolnění chladiva. Pokud máte pochybnosti, obraťte se na výrobce.

Výměnné chladivo by mělo být vráceno dodavateli chladiva ve správném výměnném válciš připojenou poznámkou pro správnou recyklaci. Nemíchejte chladiva ve výměnných jednotkách a zvláště ne ve válciš.

Pokud má být odstraněn kompresor nebo kompresní olej, zajistěte, aby byly vyprázdněny na dostatečnou úroveň, aby nezůstalo hořlavé chladivo v mazivu. Proces vyprázdnění se musí provést před vrácením kompresoru dodavateli. Pro urychlení tohoto procesu může být použit pouze elektrický ohřev těla kompresoru. Při vypouštění oleje ze systému je nutné postupovat bezpečně.



Ďakujeme, že ste si zakúpili náš produkt!

Pred použitím si dôkladne prečítajte tento manuál.

Bezpečnostné inštrukcie

- Zariadenie uvádzajte do prevádzky na rovnom a stabilnom povrchu, aby ste zabránili vibráciám a hluku.
- Zariadenie nesmie prísť do styku s vodou alebo inými kvapalinami.
- Nepoužívajte toto zariadenie, ak má poškodený napájací kábel alebo iné obvody. Mohlo by dôjsť k úrazu.
- Toto zariadenie môžu používať deti vo veku od 8 rokov a osoby so zníženými fyzickými, zmyslovými alebo duševnými schopnosťami alebo bez skúseností a znalostí, ak boli pod dohľadom dospelé osoby alebo boli poučení o bezpečnom používaní spotrebiča a rozumeli súvisiacemu nebezpečenstvu. Deti sa s týmto zariadením nesmú hrať. Čistenie a údržbu by nemali vykonávať deti bez dozoru.
- Po vypnutí a pred resetovaním a údržbou vždy odpojte zariadenie zo zásuvky.
- Iba pre vnútorné použitie.
- Pred reštartovaním zariadenia vyprázdňte nádrž na vodu, aby ste zabránili jej preplneniu.
- Zariadenie nenakláňajte, aby sa nepoškodilo možným vyliatím vody s jeho nádrže.
- Nevkladajte do zariadenia žiadne tvrdé predmety. Mohlo by dôjsť k jeho poškodeniu.
- V prípade, že dôjde k poškodeniu prírodného kábla, musí byť vymenený servisným technikom. Nikdy sa nepokúšajte kábel opravovať sami.
- Nepoužívajte odvlhčovač v prašnom prostredí (stavby a podobne).
- Pred akoukoľvek manipuláciou so spotrebičom je nutné vyprázdniť obe nádržky (prednú aj zadnú, ktorá je na pripojenie hadičky). Pri skladovaní alebo premiestňovaní spotrebiča ho nikdy nekladte.

Upozornenie:

- Nekladte zariadenie do blízkosti tepelných zdrojov (radiátor, priamotop, kachle apod.).
- Nevypínajte zariadenie vytiahnutím zo zásuvky.
- V okolí zariadenia nepoužívajte žiadne horľavé látky.
- Nečistite zariadenie vodou. Vždy použite ľahko navlhčenú jemnú handričku.
- Neutierajte zariadenie chemikáliami. Pokiaľ je zariadenie znečistené, použite neutrálny čistiaci prostriedok.
- Nenakláňajte zariadenie o viac než 45° ani ho neukladajte hore nohami.

Časté otázky

Prečo sa v zime akumuluje menej vody v nádrži na vodu?

V zime sú nízke teploty a suchý vzduch, teda zariadenie zachytí menej vlhkosti ako v lete.

Prečo sa zariadenie nezapne alebo sa svojvoľne vypne?

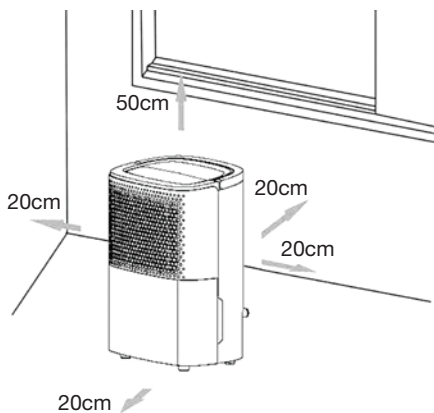
Nádrž na vodu môže byť plná alebo zle umiestnená. Vylejte vodu z nádrže alebo nádrž umiestnite do správnej polohy. Okolité teploty môžu byť nedostatočné pre správnu funkciu zariadenia. Odvlhčovanie nemôže prebiehať, ak sú teploty nižšie ako 5 °C alebo vyššie ako 32 °C. (Optimálne používanie zariadenia je v rozmedzí 16-32 °C.)

Prečo z výstupu prívodu vzduchu fúka horúci vzduch?

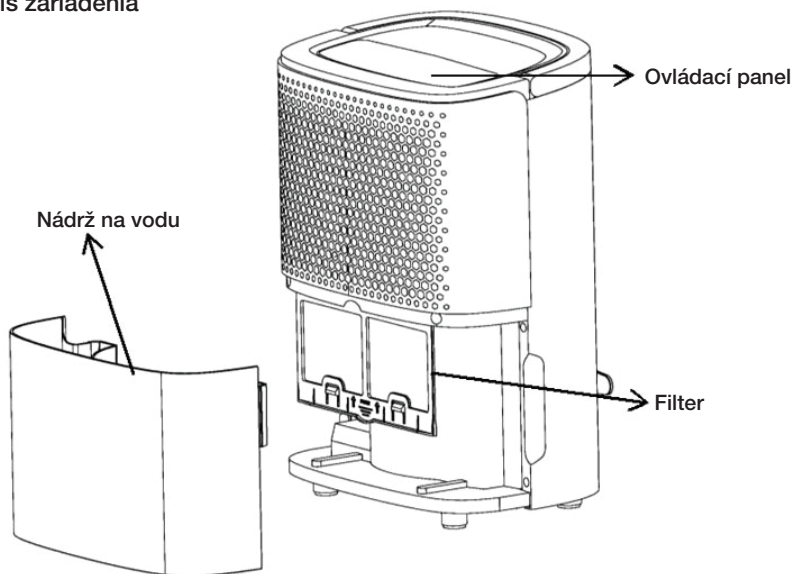
Zariadenie extrahuje vzduch v miestnosti a odvlhčovacia jednotka ho chladí, teplota klesá pod bod kondenzácie, vzduch kondenzuje na kvapky vody, ktoré nakoniec spadnú do nádrže na vodu, a odvlhčený vzduch sa ohrieva jednotkou vracajúcou teplotu. To môže znížiť spotrebu energie a tiež urýchliť odvlhčovanie, preto je vyfukovaný horúci vzduch. Nejde o poruchu.

Inštalácia zariadenia

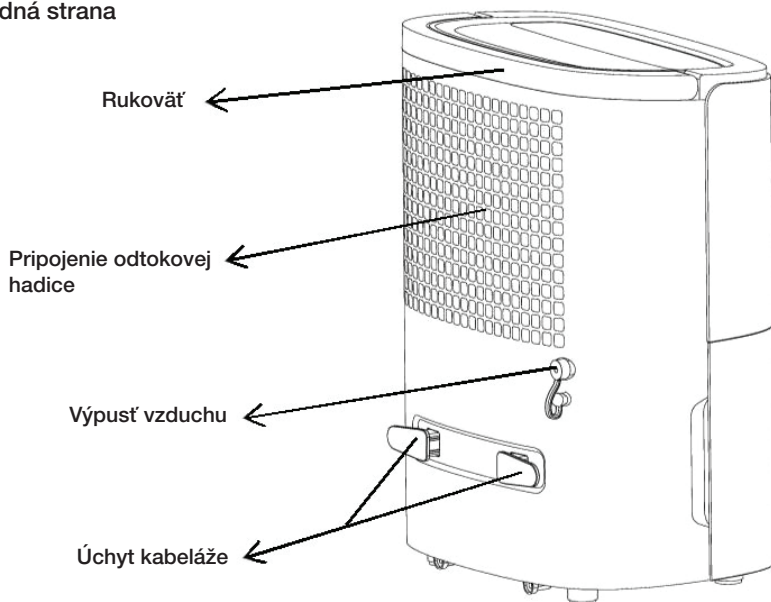
- Pred spustením spotrebiča vypustíte vodu z nádrže na vodu.
- Keď je spotrebič zapnutý, neatvárajte dvere a okná, ak je to možné – môže to šetriť energetické zdroje.
- Keď je odvlhčovač nainštalovaný, musí byť okolo zariadenia vyhradený určitý priestor. Nad spotrebičom 50 cm a 20 cm v akomkoľvek inom smere, ako je znázornené na obrázku nižšie.
- Ak je pri prevádzke tohto odvlhčovača zistený veľký hluk: Odporúča sa pod tento prístroj vložiť podložky alebo tlmiacu gumu. Môže znížiť vibrácie a hluk a môže tiež znížiť poškodenie drevenej podlahy alebo koberca (v dôsledku vibrácií alebo úniku vody).



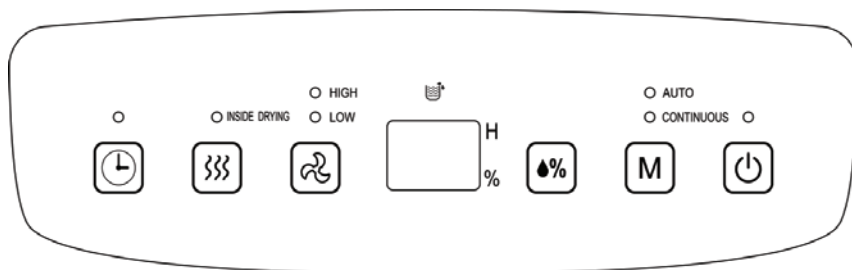
Popis zariadenia



zadná strana



Ovládací panel



Nastavenie času - Stlačením tohto tlačidla nastavíte čas, ako dlho má odvlhčovač fungovať. Rozsah nastavenia je 0-24 hodín – jedno stlačenie navýši čas o 1 hodinu. Stlačte dlho pre zrušenie nastavenia.

Funkcia vysušania vnútorných častí prístroja - Stlačením tohto tlačidla spustíte proces sušenia v prístroji. To môže zabrániť tvorbe plesní kvôli vlhkému prostrediu vo vnútri zariadenia. Celá procedúra sušenia trvá približne jednu hodinu. Ďalším stlačením tohto tlačidla túto funkciu zrušíte a obnovíte predchádzajúci spustený program. Vetrák Stlačte toto tlačidlo v AUTO a Cloth dry móde, ak chcete zmeniť rýchlosť ventilátora (cirkulácie vzduchu).

LED displej - V AUTO a Cloth dry móde ukazuje aktuálnu vlhkosť v miestnosti. V móde nastaveného času ukazuje nastavený čas.

Nastavenie vlhkosti - Akonáhle stlačíte toto tlačidlo, vlhkosť sa zobrazí v rozsahu 30 % - 80 %. Nastavenie vlhkosti je platné iba v režime AUTO.

Režim - Počas zapnutia spotrebiča alebo spúšťania časovača vyberte požadovaný režim (AUTO/CONTINUOUS) stlačením tohto klávesu – svieti indikátor zodpovedajúci režimu.

Funkcia detského zámku: Stlačte počas prevádzky tlačidlo MODE na dlhšie ako 3 sekundy. Keď je zámok aktivovaný, nebude fungovať žiadne tlačidlo. Odomknutie vykonáte opätovným stlačením tlačidla MODE na 3 sekundy.

Tlačidlo ON / OFF - Stlačením tohto tlačidla zapnete alebo vypnete

Prevádzkové metódy

Automatické vypnutie zariadenia pomocou časovača

Keď je odvlhčovač v prevádzke, stlačte tlačidlo TIMER pre nastavenie času od 1 do 24 hodín. Jedným stlačením tlačidla zvýšite nastavenie o 1 hodinu – po uplynutí nastaveného času 24 hodín sa hodnota vráti späť na 1 hodinu. Po uplynutí zvolenej doby sa zariadenie automaticky vypne. Po zvolení požadovaného času sa zvolená hodnota uloží po 5 sekundách. Vo vypnutom časovači svieti kontrolka na tlačidle TIMER.

Automatické zapnutie zariadenia pomocou časovača

Keď je odvlhčovač v standby režime, je metóda pre určenie času nastavenia tlačidlom TIMER rovnaká ako vypnutie časovača. Po dokončení nastavenia, ak tlačidlo TIMER do 5 sekúnd vôbec nepracuje, je nastavený čas potvrdený. Vo vypnutom stave časovača svieti kontrolka na tlačidle TIMER a nastavený čas sa zobrazuje na ovládacom paneli.

AUTO mód

Vyberte AUTO odvlhčovanie. Ak je vlhkosť v miestnosti vyššia ako nastavená vlhkosť o + 5 %, spustí sa kompresor a ventilátor pobeží nastavenou rýchlosťou. Ak je vlhkosť v miestnosti medzi + 5 % alebo - 5 % nastavenej vlhkosti, kompresor a ventilátor pobeží nastavenou rýchlosťou. Ak je vlhkosť v miestnosti nižšia ako nastavená vlhkosť o - 5 %, potom sa kompresor zastaví, ale ventilátor pobeží nastavenou rýchlosťou. Predvolená nastavená hodnota vlhkosti je 50 %.

Cloth dry mód (CONTINUOUS)

Zvoľte KONTINUÁLNE odvlhčovanie, bez ohľadu na relatívnu vlhkosť v miestnosti sa spustí kompresor, ventilátor beží v predvolenom nastavení vysokou rýchlosťou a rýchlosť vzduchu možno regulovať pomocou tlačidla rýchlosti vzduchu.

Funkcia vysušania vnútorných častí prístroja

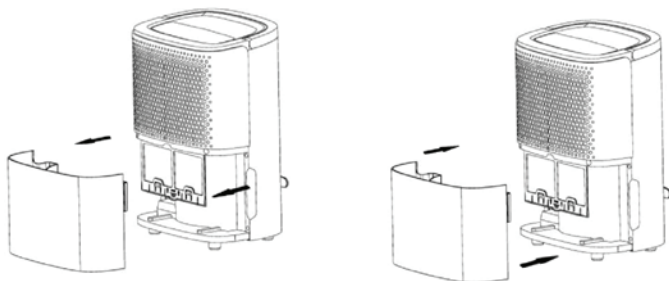
Stlačením tlačidla SUŠENIE spustíte proces sušenia. Spotrebič sa spustí pri VYSOKEJ rýchlosti vzduchu a nepretržite vypúšťa vzduch po dobu 30 minút. Spotrebič sa potom prepne na NÍZKU rýchlosť vzduchu a na 15 minút. Ak chcete proces zastaviť, znova stlačte tlačidlo SUŠENIE pre zrušenie procesu a obnovenie do predchádzajúceho prevádzkového režimu. Alebo stlačením tlačidla napájania zastavte proces a obnovte standby režim.

Vyprázdnenie nádržky na vodu

1. Manuálne odvodnenie

- Keď je nádrž na vodu plná, na LED displeji bliká ikona plnej nádrže na vodu (kompresor, ventilátor sa vypnú), 10-krát zaznie zvukový signál, ktorý užívateľa na plnú nádrž upozorní.
- Položte obe ruky na bočnú stranu zadného krytu, opatrne vyberte nádržku na vodu a otvorte kryt nádrže na pravej strane tela, potom vodu vylejte z medzery medzi nádržkou na vodu a krytom.

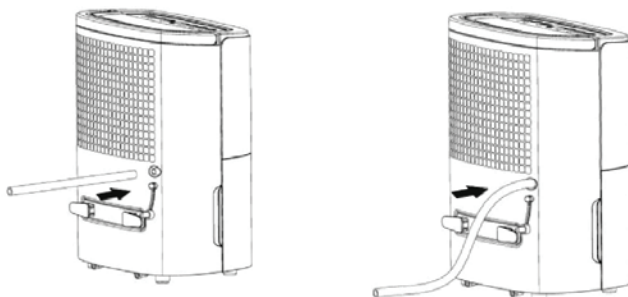
- Zatvorte kryt nádrže a otočte rukoväťou nádrže na vodu nadol, potom nádržku na vodu opatrne vložte späť, aby sa spotrebič reštartoval.



- Pozor: ak je nádrž na vodu plná, vyprázdnite ju. Pred vložením nádrže na vodu do odvlhčovača skontrolujte, či sa plavák pružne otáča alebo nie, potom ho oboma rukami vráťte na svoje miesto.

2. Kontinuálny odvod vody

- Ak nechcete často vypúšťať nádrž na vodu, k odvlhčovaču pripojte odtokovú hadicu (s vnútorným priemerom 9 mm) na pripojenie odtokovej hadice, aby sa voda vypúšťala automaticky.



- Poznámka: Uistite sa, že je hadica pevne pripevnená. Nepoužívajte hadicu dlhšiu ako 60 cm. Odtok nesmie byť umiestnený vyššie než pripojenie odtokovej hadice.

Údržba

Opatrenia:

- Pred údržbou alebo opravou odpojte napájací kábel, aby nedošlo k úrazu elektrickým prúdom.
- Ak odvlhčovač dlhšiu dobu nepoužívate, odpojte napájanie.
- Nečistite telo spotrebiča chemickými rozpúšťadlami, ako je alkohol, benzín atď.
- Nádržku na vodu a jej kryt pravidelne čistite mäkkou handričkou navlhčenou v studenej alebo teplej vode, aby ste zabránili vzniku plesní vo vnútri odvlhčovača.
- Povrch spotrebiča zľahka utrite vlhkou handričkou a nepoužívajte saponáty ani abrazíva, mohlo by dôjsť k poškodeniu plastového povrchu.
- Umývateľné sitko čistite najmenej raz za dva týždne studenou alebo teplou vodou. Nepoužívajte chemické rozpúšťadlá ani horúcu vodu.

Riešenie problémov

Problém	Možná príčina	Riešenie
Zariadenie nefunguje.	<ul style="list-style-type: none"> Napájací kábel je odpojený. 	<ul style="list-style-type: none"> Zapojte ho do zásuvky.
	<ul style="list-style-type: none"> Nádrž na vodu je plná alebo je zle umiestnená. (FL) 	<ul style="list-style-type: none"> Vyprázdnite ju a dajte ju do správnej polohy.
	<ul style="list-style-type: none"> Izbová teplota je nižšia ako 5 °C alebo vyššia ako 32 °C. (LO/HI) 	<ul style="list-style-type: none"> Normálna príčina, prístroj za týchto podmienok nebude fungovať.
Funkcia odvlhčovania nie je efektívna.	<ul style="list-style-type: none"> Izbová teplota alebo vlhkosť je príliš nízka. 	<ul style="list-style-type: none"> V letnom období, kedy je viac sucha je funkcia odvlhčovania znížená.
	<ul style="list-style-type: none"> Odvod vzduchu je blokovaný. 	<ul style="list-style-type: none"> Odstráňte prekážku.
Zariadenie nevypúšťa vzduch.	<ul style="list-style-type: none"> Filter je upchatý/ znečistený. 	<ul style="list-style-type: none"> Vyčistite ho.
Abnormálny hluk pri odvlhčovaní.	<ul style="list-style-type: none"> Zariadenie je zle umiestnené. 	<ul style="list-style-type: none"> Postavte ho na rovný a pevný povrch.
	<ul style="list-style-type: none"> Filter je upchatý/ znečistený. 	<ul style="list-style-type: none"> Vyčistite ho.
	<ul style="list-style-type: none"> Ľahký hluk. 	<ul style="list-style-type: none"> Normálny zvuk chladiaceho zariadenia; v poriadku.
Únik vody	<ul style="list-style-type: none"> Pripojenie odtokovej hadice je uvoľnené. 	<ul style="list-style-type: none"> Utiahnite ho.
	<ul style="list-style-type: none"> Systém odtoku je upchatý. 	<ul style="list-style-type: none"> Odstráňte prekážky a narovnajte hadicu.
Námraza	<ul style="list-style-type: none"> Okolité teplota je nízka a je v stave čakania na odmrazenie. (P1) 	<ul style="list-style-type: none"> Je to normálny jav, spotrebič má funkciu automatického odmrazovania.
LC error	<ul style="list-style-type: none"> Detský zámok je aktivovaný. 	<ul style="list-style-type: none"> Stlačte a podržte tlačidlo M po dobu 3 sekúnd.

Slovenská verzia návodu je presným prekladom originálneho návodu výrobcu.

Fotografie použité v návode sú len ilustračné a nemusia sa presne zhodovať s výrobkom.

Bezpečnostné inštrukcie pre inštaláciu prístroje používajúce chladiaci plyn R290

Aby nedošlo k poškodeniu, pred začatím prevádzky prístroj umiestnite aspoň na 24h do vzpriamenej polohy. Uistite sa, že prívod a vývod vzduchu nie je nikdy upchaný.

Prístroj prevádzkujte vždy len na horizontálnom povrchu, aby nedochádzalo k úniku vody z prístroja.

VAROVANIE

- Neprekračujte vyššiu impedanciu než 0,236 ohm v napájaní, ku ktorému je spotrebič pripojený.
- Každá osoba, ktorá sa zaoberá opravami klimatizácie, alebo prácou s chladiacou kvapalinou, by mala byť držiteľom platného certifikátu pre tieto práce podľa predpisov v danej krajine.
- Pri likvidácii obalu alebo prístroja, nezabudnite na životné prostredie a zlikvidujte ho do príslušného odpadu.
- Prístroj by mal byť skladovaný v dobre vetranom prostredí, kde veľkosť priestoru izby zodpovedá požiadavkám na prevádzku.
- Prístroj by mal byť skladovaný tak, aby nedošlo k mechanickému poškodeniu.
- Informácie o miestach, kde je povolená inštalácia potrubia pre chladiaci plyn, zahŕňajú tieto vyhlásenia:
 - » inštalácia potrubia musí byť obmedzená na minimum
 - » potrubie musí byť chránené pred fyzickým poškodením a v prípade používania horľavých chladív, nesmie byť inštalovaný v nevetranom priestore
 - » je potrebné dodržiavať vnútroštátne predpisy o plynárenstve
 - » mechanické prípojky musia byť prístupné pre účel údržby
 - » na zariadenia obsahujúce horľavé chladivá, by mala byť uvedená minimálna plocha miestnosti, v ktorej bude prístroj používaný
- Požadované ventilačné otvory musia byť vždy čisté a neupchané.
- Servis musí vykonávať len certifikované servisné stredisko podľa odporúčania výrobcu.
- Po zapnutí prenosnej klimatizácie alebo odvlhčovača môže ventilátor pracovať v normálnych podmienkach nepretržite tak, aby bol zaistený minimálny objem vzduchu 100 m³ / h, aj keď je kompresor uzavretý kvôli regulátoru teploty.
- Pre odmrazovanie alebo čistenie použite nástroje a prostriedky odporúčané výrobcom.
- Neperforujte žiaden z komponentov chladiaceho obvodu. Chladiaci plyn môže byť bez zápachu.
- Údržba a opravy, ktoré vyžadujú pomoc iného kvalifikovaného personálu, sa musia vykonávať pod dohľadom špecialistov na používanie horľavých chladív.



Hrozí nebezpečenstvo požiaru

Pred použitím prístroja si pozorne prečítajte návod na použitie.

Chladiaci plyn R290 spĺňa európske smernice o životnom prostredí.

Prístroj by mal byť nainštalovaný, prevádzkovaný a uskladnený v dobre vetranej miestnosti s plochou minimálne 4 m².

Inštrukcie a opravy zariadení používajúce plyn R290

Skontrolujte priestor

Pred začatím prevádzky prístrojov obsahujúcich horľavé chladivo je nevyhnutné vykonať bezpečnostnú kontrolu, aby sa minimalizovalo riziko vzniku požiaru, a je potrebné vykonať nasledujúce opatrenia.

Postup práce

Všetky práce sa uskutočňujú podľa nariadeného postupu, aby sa minimalizovalo riziko prítomnosti horľavého plynu alebo výparov v priebehu práce.

Pracovný priestor

Všetci zamestnanci údržby a ostatní pracovníci musia byť poučení o správnom vykonávaní práce. Je potrebné sa vyvarovať práci v stiesnenom priestore.

Kontrola prítomnosti chladiva

Priestor musí byť skontrolovaný príslušným detektorom chladiaceho plynu, aby technickí pracovníci boli uistení, že počas práce nedošlo k úniku chladiva. Všetci pracovníci si musia byť vedomí, že sa nachádza v potencióálne toxickom a horľavom priestore. Uistite sa, že zariadenie na detekciu úniku plynu je vhodné pre použitie so všetkými použiteľnými chladivami.

Prítomnosť hasiaceho prístroja

Ak majú byť na chladiacom zariadení vykonávané akékoľvek práce, musí byť k dispozícii vhodné zariadenie pre hasenie požiaru. Hasiaci prístroj so suchým práškom alebo CO₂ majte blízko po ruke.

Žiadne zdroje vznietenia

Žiadna osoba, ktorá vykonáva prácu s chladiacim systémom, nesmie akokoľvek používať zdroje, ktoré môžu spôsobiť vznietenie, pretože to môže viesť k nebezpečenstvu požiaru alebo výbuchu. Všetky možné zdroje vznietenia, ako sú cigarety, zapalovače atď. by mali byť umiestnené dostatočne ďaleko od miesta inštalácie, opravy, odstraňovanie a likvidácia, pretože môže dôjsť k uvoľneniu chladiva do okolitého priestoru. Pred vykonávaním práce je potrebné preveriť oblasť okolo zariadenia a uistiť sa, že nehrozí nebezpečenstvo požiaru alebo nebezpečenstvo vznietenia.

Ventilovaný priestor

Pred vykonávaním prác alebo rozoberaním prístroja sa uistite, že priestor je otvorený alebo dostatočne ventilovaný. Priestor by mal byť ventilovaný po celú dobu akejkoľvek práce.

Kontrola chladiaceho zariadenia

Ak sú elektrické súčiastky vymieňané, musia byť vhodné pre daný účel a správnu špecifikáciu. Celú dobu sa riadte pokynmi pre údržbu a servis od výrobcu. Ak ste na pochybách, obráťte sa na servisného technika výrobcu.

Pri inštaláciách s použitím horľavých chladív sa musia vykonať nasledujúce kontroly:

- náplň chladiva je v súlade s veľkosťou priestoru, v ktorom sú časti s obsahom chladiva inštalované
- vetracie zariadenie a vývody vzduchu fungujú primerane a nie sú ničím zablokované
- značky na zariadení musí byť stále viditeľné a čitateľné. Značky, ktoré nie sú čitateľné by mali byť opravené.
- chladiace potrubie a jeho súčasti musia byť odolné voči korózii alebo sú proti korózii vhodne chránené a nesmú byť vystavené akejkoľvek látke, ktorá môže chladiaci potrubie a jeho súčasti korodovať.

Kontrola elektrických zariadení

Opravy a údržby elektrických komponentov by mali zahŕňať počiatočné bezpečnostné kontroly. Pokiaľ dôjde k poruche, ktorá by mohla ohroziť bezpečnosť, nesmie byť k obvodu pripojený žiadny elektrický zdroj, kým nebude vykonaná oprava.

Počiatočná kontrola:

- Zistite, či kondenzátory nie sú vybité. Kontrola by mala byť vykonaná bezpečným spôsobom, aby sa zabránilo možnosti vzplanutia.
- Pri nabíjaní, obnovení alebo čistení systému musia byť izolované všetky elektrické súčiastky a elektrické vedenie.
- Všetko musí byť správne uzemnené.

Opravy uzavretých súčiastok

Počas opravy uzavretých súčiastok by mali byť všetky elektrické zdroje odpojené. Ak je absolútne nevyhnutné používať pri servise elektrické napájanie, potom musí byť v najkritickejšom bode umiestnená natrvalo fungujúca detekcia únikov plynu, ktorá upozorňuje na potenciálne nebezpečnú situáciu.

Zvláštnu pozornosť je potrebné venovať nasledujúcim skutočnostiam, aby sa pri práci na elektrických súčiastiach nepoškodil plášť tak, že by bola znížená úroveň ochrany. Znížená úroveň ochrany zahŕňa poškodenie káblov, nadmerný počet pripojení, svorky, ktoré neboli pripevnené podľa pôvodných špecifikácií, poškodenie tesnenia, nesprávna montáž atď.

Zaistite, aby tesnenia alebo tesniace materiály neboli degradované až do okamihu, kedy už nebudú slúžiť na zabránenie prenikania horľavých látok do ovzdušia. Používajte len originálne náhradné diely.

Opravy komponentov s iskrovou bezpečnosťou

Nepoužívajte žiadne trvalé induktívne alebo kapacitné zaťaženie na odvode, bez toho aby ste sa uistili, že to neprekročí povolené napätie a prúd.

Komponenty s iskrovou bezpečnosťou sú jedinými typy, na ktorých možno pracovať, kým ste v prítomnosti horľavého ovzdušia.

Výmena komponentov musí byť špecifikovaná výrobcom. Nesprávne komponenty môžu spôsobiť únik chladiva a následné vznietenie.

Kabeláž

Skontrolujte, či káble nie sú vystavené opotrebovaniu, korózii, nadmernému tlaku, vibráciám, ostrým hranám alebo iným nepriaznivým vplyvom na životné prostredie. Tiež skontrolujte rok výroby alebo neustále vibrácie zo zdrojov, ako sú kompresory a ventilátory.

Detekcia horľavej chladiacej kvapaliny

Za žiadnych okolností nesmú byť pre hľadanie prípadného úniku chladiacej kvapaliny použité potencionálne horľaviny. Nesmie byť použitý halogénový horák (alebo akýkoľvek iný detektor využívajúci otvorený plameň).

Odstránenie a vyprázdnenie

Pri otváraní chladiaceho obvodu kvôli opravám alebo akémukoľvek inému účelu, by mali byť užívané konvenčné postupy. Avšak u horľavých chladiacich kvapalín je dôležité používať len tie najvhodnejšie postupy, pretože musí byť braná do úvahy horľavosť materiálu. Mal by byť dodržiavaný nasledujúci postup:

- odstrániť chladiacu kvapalinu
- vyčistiť okruh od inertného plynu
- vyprázdniť
- vyčistiť inertným plynom

- otvoriť okruh rozrezaním alebo spájkovaním

Náplň chladiaceho okruhu by mala byť vrátená do správnych okruhov. Pri zariadeniach, ktoré obsahujú horľavé chladivo, by mal byť systém vyčistený bezkyslíkovým dusíkom, aby bolo zariadenie bezpečné pre horľavé chladivo. Niekedy môže byť potrebné túto procedúru niekoľkokrát zopakovať. Pre čistenie chladiaceho systému by nemal byť používaný stlačený vzduch alebo kyslík.

Pri zariadení obsahujúcom horľavé chladivo, by malo byť čistenie chladiacej kvapaliny vykonané dosiahnutím podtlaku prostredníctvom bezkyslíkového dusíka až do dosiahnutia hodnoty pracovného tlaku, potom navrátením atmosférického tlaku a znovudosiahnutím podtlaku. Tento proces by mal byť opakovaný tak dlho, kým v systéme nie je žiadne chladivo. Vo chvíli, keď je použitá posledná várka bezkyslíkového dusíka, malo by dôjsť k vráteniu atmosférického tlaku, aby bola umožnená práca v systéme. Táto procedúra je absolútne zásadná, ak sa má na potrubí vykonávať spájkovanie.

Zaistite, aby vývod vákuovej pumpy nebol v blízkosti akéhokoľvek potencionálneho zdroja požiaru a že je toto miesto dostatočne odvetrané.

Proces plnenia

Okrem konvenčných postupov by mali byť dodržiavané nasledujúce požiadavky.

- Zaistite, aby pri plnení nedošlo ku kontaminácii inými chladivami. Hadičky a vedenia by mali byť čo najkratšie, aby v nich bol minimalizovaný obsah chladiva.
- Valce by mali byť uchovávané v správnych polohách podľa inštrukcií.
- Zaistite, aby bol chladiaci okruh uzemnený pred plnením chladivom.
- Oštitkujte systém, akonáhle je plnenie dokončené (pokiaľ to už nie je hotové).
- Venujte zvýšenú pozornosť tomu, aby ste systém nepreplnili.

Pred znovunaplnením systému skontrolujte tlak vhodným čistiacim plynom. Systém by mal byť skontrolovaný z hľadiska možného úniku chladiva po jeho doplnení, ale pred uvedením do prevádzky. Následný test úniku chladiva by mal byť vykonaný pred opustením miesta.

Vyradenie z prevádzky

Pred vykonaním toho kroku je zásadné, aby mal technik úplné znalosti ohľadne tohto zariadenia a všetkých jeho detailov. Je odporúčané, aby bolo chladivo bezpečne zakryté. Pred vykonávaním úkonu by mala byť odobratá vzorka oleja a chladiva pre prípad, že by pred opätovným použitím tohto chladiva bolo potrebné vykonať analýzu. Pred začatím úlohy je nevyhnutné mať k dispozícii elektrickú energiu.

- a) Zoznámte sa so zariadením a jeho prevádzkou.
- b) Izolujte systém od elektriny.
- c) Pred vykonaním úkonu zaistite, že:
 - Ak je potrebné, je dostupné mechanické manipulačné zariadenie pre manipuláciu s nádobou.
 - Sú dostupné osobné ochranné prostriedky a sú správne používané.
 - Je zaistený dozor kompetentnej osoby nad celou procedúrou.
 - Vybavenie a nádoby vyhovujú príslušným normám.
- d) Ak je to možné, vypumpujte chladiaci systém.
- e) Ak nie je možné dosiahnuť vákua, vytvorte rozdeľovač, aby mohlo byť chladivo odstránené z rôznych častí systému.
- f) Spustite výmenné zariadenie a postupujte podľa inštrukcií.
- g) Nepreplňujte nádobu (nie viac ako 80% objemu kvapaliny).
- h) Neprekračujte maximálny možný pracovný tlak v nádobe, ani dočasne.

- i) Pred odpojením potrubia sa uistite, že ako ho odpojíte, sú všetky ventily na zariadení uzavreté.
- j) Výmenné chladivo nesmie byť naplnené do iného chladiaceho systému, ak nebolo vyčistené a skontrolované.

Štítkovanie

Zariadenie by malo byť oštietkované tak, aby bolo jasné, že bolo vyradené z prevádzky a bolo z neho odstránené chladivo. Štítok by mal byť označený dátumom a podpísaný. Pri zariadeniach, ktoré obsahujú horľavé chladivo, sa uistite, že štítok obsahuje informáciu o tom, že obsahuje horľavé chladivo.

Výmena

Pri odstraňovaní chladiva zo systému za účelom vyradovania alebo servisu, je doporučované, aby bolo chladivo odstránené bezpečne.

Pri presune chladiva do nádoby sa uistite, že používate dostatočne veľkú nádobu. Zaisťte, aby ste mali k dispozícii dostatočný priestor pre uchovanie celej náplne chladiaceho systému. Všetky používané nádoby musia byť určené pre dané chladivo a označené daným typom chladiva (napr. špeciálne nádoby pre obnovu chladiva). Nádoby by mali byť opatrené tlakovým odvzdušňovacím ventilom a uzatváracími ventilmi v dobrom prevádzkovom stave. Prázdne nádoby by mali byť vyprázdnené a pokiaľ možno vyčistené pred ďalším použitím.

Zariadenie na výmenu by malo byť v dobrom prevádzkovom stave a mali by byť k dispozícii inštrukcie k zariadeniu vhodné k obnove všetkých vhodných chladív, vrátane horľavých. Navyše by mali byť k dispozícii kalibrovane váhy v dobrom prevádzkovom stave. Hadičky musí byť v poriadku a neporušené s odpúšťacími spojkami. Pred použitím výmenného zariadenia skontrolujte, či je v uspokojivom stave, či je správne udržiavané a či sú všetky elektrické súčasti utesnené tak, aby sa zabránilo vznieteniu v prípade uvoľnenia chladiva. Ak máte pochybnosti, obráťte sa na výrobcu.

Výmenné chladivo by malo byť vrátené dodávateľovi chladiva v správnom výmennom valci s pripojenou poznámkou pre správnu recykláciu. Nemiešajte chladivá vo výmenných jednotkách a zvlášť nie vo valcoch.

Pokiaľ má byť odstránený kompresor alebo kompresný olej, zaisťte, aby boli vyprázdnené na dostatočnú úroveň, aby nezostalo horľavé chladivo v mazive. Proces vyprázdnenia sa musí vykonať pred vrátením kompresora dodávateľovi. Pre urýchlenie tohto procesu môže byť použitý iba elektrický ohrev tela kompresora. Pri vypúšťaní oleja zo systému je nutné postupovať bezpečne.



Köszönjük, hogy megvásárolta a termékünket!

Használat előtt figyelmesen olvassa el ezt a kézikönyvet.

Biztonsági utasítások

- A készüléket sík és stabil felületen üzemeltesse a rezgés és zaj elkerülése érdekében.
- A készülék nem érintkezhet vízzel vagy más folyadékkal.
- Ne használja ezt a készüléket, ha sérült a tápkábele vagy más áramköre. Sérülésveszély áll fenn.
- Ezt a készüléket 8 évesnél idősebb gyermekek és csökkent fizikai, érzékszervi vagy szellemi képességekkel rendelkező személyek, illetve tapasztalat és ismeretek hiányában használhatják, feltéve, hogy felügyeletet vagy oktatást kaptak a készülék biztonságos használatáról és megértették a veszélyeket. A gyermekek nem végezhetnek tisztítást és karbantartást felügyelet nélkül.
- Kikapcsolás után, valamint az alaphelyzetbe állítás és a karbantartás előtt mindig húzza ki a készülék csatlakozóját.
- Csak beltéri használatra.
- A készülék újbóli üzembe helyezése előtt ürítse ki a víztartályt, nehogy túlteljen.
- Ne döntse meg a készüléket, nehogy kifolyjon a víz a tartályból.
- Ne helyezzen kemény tárgyakat a készülékbe. Megsérülhet.
- Ha a tápkábel megsérült, azt szerviz szakembernek kell kicserélnie. Soha ne próbálja meg maga javítani a kábelt.
- Ne használja a párátlanítót poros környezetben (építkezésen stb.).
- Mielőtt bármilyen módon kezelné a készüléket, ürítse ki mindkét tartályt (az elsőt és a hátsót, amelyik a tömlő csatlakoztatására szolgál). A készülék tárolásakor vagy mozgatásakor soha ne tegye fektesse le a készüléket.

Figyelmeztetés:

- Ne helyezze a készüléket hőforrások (radiátor, fűtés, tűzhely stb.) közelébe.
- Ne húzza ki a készüléket a konnektorból használat közben.
- Ne használjon gyúlékony anyagokat a készülék körül.
- Ne tisztítsa a készüléket vízzel. Mindig használjon enyhén nedvesített rongyot.
- Ne törölje le a készüléket vegyszerekkel. Ha a készülék piszkos, használjon semleges mosószeret.
- Ne döntse meg a készüléket 45°C-nál jobban, és ne helyezze fejjel lefelé.

Gyakori kérdések

Miért halmozódik fel kevesebb víz a víztartályban télen?

Télen alacsony a hőmérséklet és száraz a levegő, ezért a készülék kevesebb nedvességet fog fel, mint nyáron.

Miért nem kapcsol be, vagy éppen kapcsol ki önkényesen a készülék?

Lehet, hogy a víztartály megtelt vagy helytelenül van elhelyezve. Öntse ki a vizet a tartályból, vagy helyezze a tartályt megfelelő helyzetbe. Lehet, hogy a környezeti hőmérséklet nem megfelelő a készülék megfelelő működéséhez. A párátlanítás nem történhet meg ha a hőmérséklet alacsonyabb, min 5 °C vagy magasabb, mint 32 °C. (A készülék optimális használata 16-32 °C

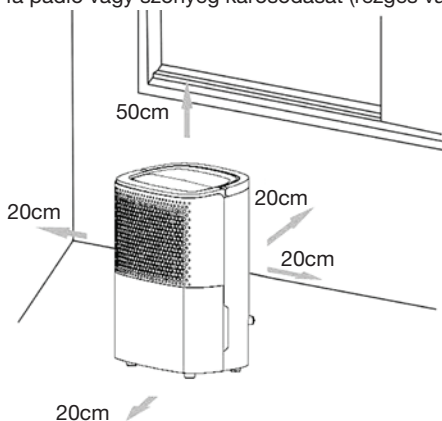
között van.)

Miért fúj forró levegőt a levegő kimeneténél?

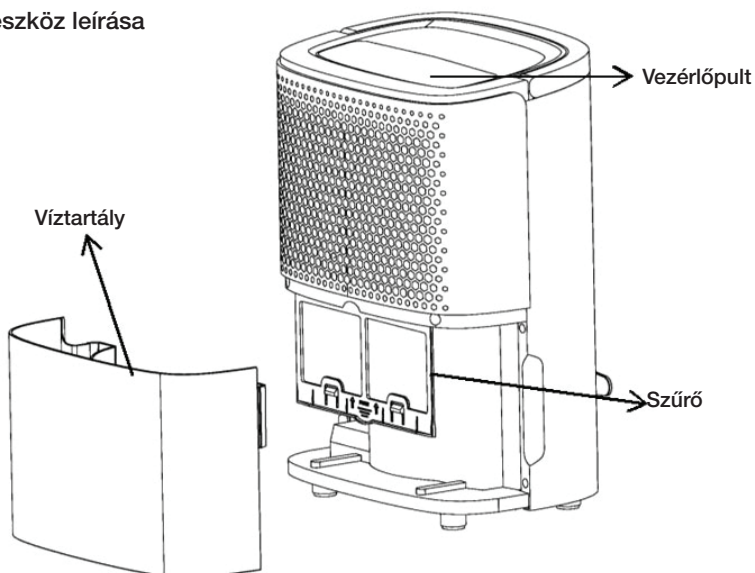
A készülék elszívja a helyiség levegőjét, és a páramentesítő egység lehűti, a hőmérséklet a kondenzációs pont alá csökken, a levegő vízcseppekké kondenzálódik, amelyek végül a víztartályba esnek, és a páratlanított levegőt a visszatérő hőmérsékleti egység melegíti. Ez csökkentheti az energiafogyasztást, így forró levegőt fújnak ki. Ez nem üzemzavar.

Berendezés telepítése

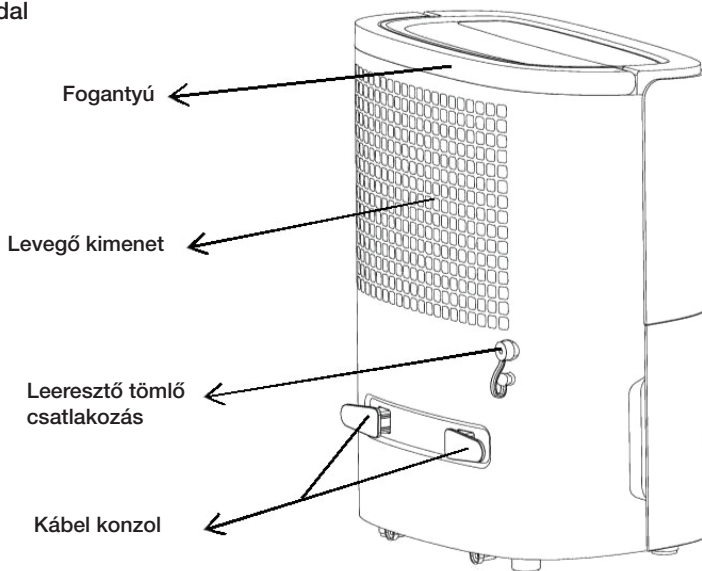
- A készülék beindítása előtt engedje le a vizet a víztartályból.
- Amikor a készülék be van kapcsolva, ne nyissa ki az ajtókat és ablakokat, ha lehetséges – ez energiát takaríthat meg.
- A páratlanító telepítéskor helyet kell hagyni a készülék körül. A készülék felett 50 cm és 20 cm bármely más irányban a lenti ábra szerint.
- Ha ennek a páratlanítónak a működése közben nagy zaj észlelhető: Javasoljuk, hogy a készülék alá párnákat vagy csillapító gumit helyezzen be. Csökkentheti a rezgést és a zajt, valamint csökkentheti a fa padló vagy szőnyeg károsodását (rezgés vagy vízszivárgás miatt)



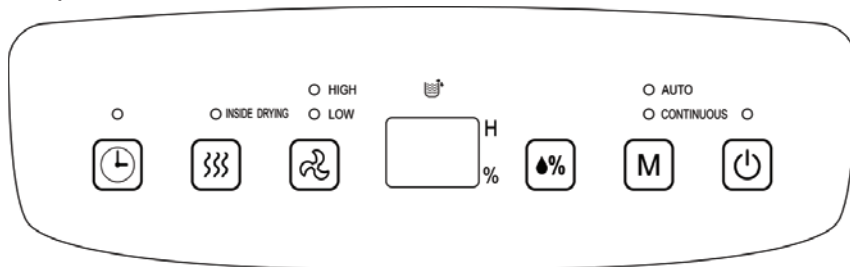
Az eszköz leírása



Hátoldal



Vezérlő panel



Idő beállítás - Nyomja meg ezt a gombot az idő beállításához, hogy mennyi ideig működjön a párátlanító. A beállítási tartomány 0-24 óra – egy gombnyomással 1 órával nő az idő. Nyomja meg és tartsa lenyomva a beállítás törlését.

A készülék belső részeinek szárításának funkciója - Nyomja meg ezt a gombot a készülék szárítási folyamatának elindításához. Ez megakadályozhatja a penész kialakulását a készülék belsejében lévő párás környezet miatt. A teljes szárítási eljárás körülbelül egy órát esz igénybe. Nyomja meg ismét ezt a gombot a funkció törléséhez és a korábban futó program visszaállításához.

Ventilátor - Nyomja meg ezt a gombot AUTO és Cloth dry üzemmódban, ha meg akarja változtatni a ventilátor sebességét (légkeringés).

LED kijelző - Az AUTO és Cloth dry módban a szoba aktuális páratartalmát mutatja. A beállított idő módban a beállított időt mutatja.

Páratartalom beállítása - Ha megnyomja ezt a gombot, a páratartalom 30% és 80% között jelenik meg. A páratartalom beállítása csak AUTO módban lehetséges.

Rezsím - A készülék bekapcsolása vagy az időzítő elindítása közben válassza ki a kívánt üzemmódot (AUTO/ Cloth dry) ennek a gombnak a megnyomásával – az üzemmódnak megfelelő jelző világít. Gyermekzár funkció: Működés közben nyomja meg a MODE gombot 3 másodpercnél tovább. A zár aktiválásokat egyetlen gomb sem fog működni. A feloldáshoz nyomja meg ismét a MODE gombot 3 másodpercig.

ON / OFF gomb - Nyomja meg ezt a gombot a be- vagy kikapcsoláshoz.

Működési módszerek

A készülék automatikus kikapcsolása időzítővel

Amikor a páramentesítő működik, nyomja meg a TIMER gombot az idő 1 és 24 óra közötti beállításához. Nyomja meg egyszer a gombot, hogy a beállítást 1 órával növelje – a beállított 24 órás idő után az érték 1 órára tér vissza. A kiválasztott idő letelte után a készülék automatikusan kikapcsol. A kívánt idő kiválasztása után a kiválasztott érték 5 másodperc múlva elmentésre kerül. Ha az időzítő ki van kapcsolva, a TIMER gomb jelzőfénye kigyullad.

A készülék automatikus bekapcsolása időzítővel

Amikor a páratlanító készenléti üzemmódban van, a beállítási idő TIMER gombbal történő meghatározásának módja megegyezik az időzítő kikapcsolásával. A beállítás befejezése után ha a TIMER gomb 5 másodpercen belül egyáltalán nem működik, a beállított idő megerősítést nyer. Ha az időzítő ki van kapcsolva, a TIMER gomb jelzőfénye világít, és a beállított idő megjelenik a kezelőpanelen.

AUTO mód

Válassza az AUTO páratlanítás lehetőséget. Ha a helyiség páratartalma +5%-kal magasabb, mint a beállított páratartalom, a kompresszor beindul, és a ventilátor a beállított fordulatszámon jár. Ha a helyiség páratartalma a beállított páratartalom +5% vagy -5%-a között van, a kompresszor és a ventilátor a beállított sebességgel fog működni. Ha a helyiség páratartalma -5%-kal alacsonyabb, mint a beállított páratartalom, akkor a kompresszor leáll, de a ventilátor a beállított sebességgel működik. Az alapértelmezett páratartalom 50%.

Cloth dry mód (CONTINUOUS)

Válassza a CONTINUOUS páratlanítást, függetlenül a helyiség relatív páratartalmától, a kompresszor beindul, a ventilátor alapértelmezés szerint nagy sebességgel jár, és a levegő sebességét a levegő sebesség gombjával lehet szabályozni.

A készülék belső részeinek szárítási funkciója

A szárítás megkezdéséhez nyomja meg a DRY gombot. A készülék NAGY légsebességgel indul, és 30 percig folyamatosan szellőzik. Ezután a készülék LOW légsebességre kapcsol 15 percre.

A folyamat leállításához nyomja meg újra a DRY gombot a folyamat megszakításához és az előző üzemmódba való visszatéréshez. Vagy nyomja meg a bekapcsológombot a folyamat leállításához és a készenléti állapot folytatásához.

A víztartály üritése

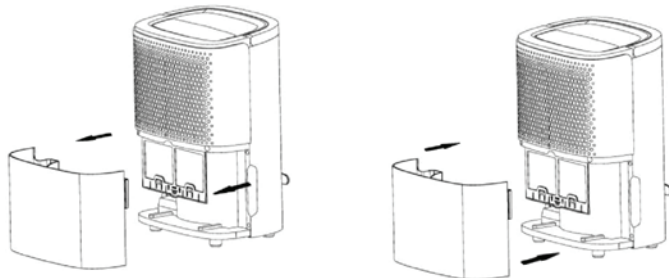
1. Kézi vízelvezetés

- Amikor a víztartály megtelt, a LED-kijelzőn villog a teljes víztartály ikon (a kompresszor, a ventilátor és ki van kapcsolva), 10-szer hallható hangjelzés figyelmezteti a felhasználót a teli tartályra.
- Helyezze mindkét kezét a hátsó fedél oldalára, óvatosan vegye ki a víztartályt, és nyissa ki a tartály fedelét a test jobb oldalán, majd öntse ki a vizet a víztartály és a fedél közötti részből.
- Zárja le a tartály fedelét, és fordítsa le a víztartály fogantyúját, majd óvatosan tegye vissza a víztartályt a készülék újraindításához.
- Vigyázat: ha a víztartály tele van, ürítse ki. Mielőtt beteszi a víztartályt a páramentesítőbe,

ellenőrizze, hogy az úszó rugalmasan forog-e vagy sem, majd két kézzel tegye vissza a helyére.

2. Folyamatos vízelvezetés

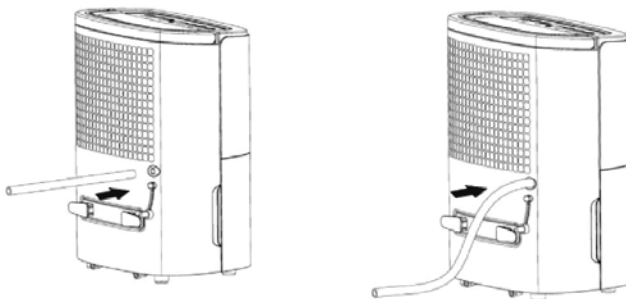
- Ha nem akarja gyakran üríteni a víztartályt, csatlakoztassa a leeresztő tömlőt (9 mm átmérőjű) a páramentesítőhöz a leeresztő tömlő csatlakoztatásához, hogy a víz automatikusan lefolyjon.
- Megjegyzés: Ellenőrizze, hogy a tömlő megfelelően van-e rögzítve. Ne használjon 60 cm-nél hosszabb tömlőt. A lefolyó nem lehet magasabb mint a leeresztő tömlő csatlakozása.



Karbantartás

Intézkedések:

- Az áramütés kockázatának csökkentése érdekében a karbantartás vagy javítás előtt húzza ki a tápkábelt.
- Ha hosszú ideig nem használja, a páramentesítőt válassza le az áramellátást.
- Ne tisztítsa a készülék testét kémiai oldószerekkel, például alkohollal, benzinnel stb.
- Rendszeresen tisztítsa meg a víztartályt és annak fedelét egy hideg vagy meleg vízbe



nedvesített puha ruhával, hogy megakadályozza a párasítást a páramentesítőben.

- Nedves ruhával enyhén törölje le a készülék felületét, és ne használjon tisztítószer vagy súrolószer, mert ez károsíthatja a műanyag felületet.
- A mosható szűrőt kéthetente legalább egyszer tisztítsa hideg vagy meleg vízzel. Ne használjon kémiai oldószert vagy forró vizet.

Problémamegoldás

Probléma	Lehetséges ok	Megoldás
A készülék nem működik	<ul style="list-style-type: none"> A tápkábel nincs csatlakoztatva. 	<ul style="list-style-type: none"> Dugja be egy konnektorba.
	<ul style="list-style-type: none"> A víztartály megtelt vagy helytelenül van elhelyezve. (FL) 	<ul style="list-style-type: none"> Ürítse ki, és tegye a megfelelő helyzetbe.
	<ul style="list-style-type: none"> A szobahőmérséklet alacsonyabb, mint 5 °C vagy magasabb, mint 32 °C. (LO/Hi) 	<ul style="list-style-type: none"> Normál oknál fogva az egység nem fog működni ilyen körülmények között.
A páratlanító funkció nem hatékony	<ul style="list-style-type: none"> A szobahőmérséklet vagy a páratartalom túl alacsony. 	<ul style="list-style-type: none"> Nyáron, amikor nagyobb az aszály, csökken a páramentesítés funkció.
	<ul style="list-style-type: none"> A légkimenet el van dugva. 	<ul style="list-style-type: none"> Távolítsa el az akadályt.
A készülék nem bocsát ki levegőt.	<ul style="list-style-type: none"> A szűrő eltömődött/piszkos. 	<ul style="list-style-type: none"> Tisztítsa meg.
Rendellenes páratlanítási zaj.	<ul style="list-style-type: none"> Az eszköz helytelenül van elhelyezve. 	<ul style="list-style-type: none"> Helyezze őket sík és szilárd felületre.
	<ul style="list-style-type: none"> A szűrő eltömődött/piszkos. 	<ul style="list-style-type: none"> Tisztítsa meg.
	<ul style="list-style-type: none"> Enyhe zaj 	<ul style="list-style-type: none"> A hűtőberendezés normál hangja; rendben van
Víz szivárgás	<ul style="list-style-type: none"> A leeresztő tömlő csatlakozása laza. 	<ul style="list-style-type: none"> Húzza meg őket.
	<ul style="list-style-type: none"> A leeresztő rendszer eltömődött. 	<ul style="list-style-type: none"> Távolítsa el az akadályokat és egyenesítse ki a tömlőt.
Fagy	<ul style="list-style-type: none"> A környezeti hőmérséklet alacsony, és kiolvasztásra vár. (P1) 	<ul style="list-style-type: none"> Ez normális, a készülék automatikus leolvasztási funkcióval rendelkezik.
LC error	<ul style="list-style-type: none"> A gyermekzár aktiválva van. 	<ul style="list-style-type: none"> Nyomja meg és tartsa lenyomva az M gombot 3 másodpercig.

A magyar használati utasítás a gyártótól kapott verzió pontos fordítása.

A kézikönyvben használt fényképek csak illusztrációk, nem egyeznek meg pontosan a termékkel.

Biztonsági utasítások az R290 hűtőközeget használó készülék telepítéséhez

Az esetleges megkárosodások elkerülése céljából helyezze a készüléket függőleges helyzetbe, legalább 24 órán át, annak üzembehelyezése előtt.

Ügyeljen arra, hogy a levegő be- és kimenete ne legyen eldugulva.

A készüléket mindig csak vízszintes felületen működtessék, hogy megakadályozzák a víz szivárgását a készülékből.

FIGYELMEZTETÉS

- A tápegységben, amelyhez a készüléket csatlakoztatta, ne lépje túl a 0,236 ohm impedanciát.
- A klímaberendezés javításával vagy annak hűtőfolyadékával foglalkozó személyeknek érvényes munkavállalási minősítéssel kell rendelkezniük az adott országban érvényben levő előírások szerint.
- A csomagolás vagy a készülék megsemmisítésekor ne feledkezzen meg az adott ország környezetvédelméről és azokat a megfelelő hulladékanyagokkal együtt semmisítse meg.
- A készüléket jól szellőzött környezetben kell tárolni, ahol a helyiség mérete megfelel az üzemeltetési követelményeknek.
- A berendezést úgy kell tárolni, hogy megakadályozzuk annak mechanikai megkárosodását.
- A hűtőközeg-gázvezetékek telepítésének helyére vonatkozó információk a következő megállapításokat tartalmazzák:
 1. a csővezetékek telepítését a lehető legkisebb mértékre kell korlátozni
 2. a csővezetékot védeni kell a fizikai megkárosodástól és gyúlékony hűtőközegek használata esetén azt nem szabad nem szellőzött helyiségbe telepíteni
 3. be kell tartani a hazai gázipari előírásokat
 4. a mechanikus csatlakozásoknak karbantartás céljából hozzáférhetőnek kell lenniük
 5. gyúlékony hűtőközegeket tartalmazó készülékeken meg kell jelölni annak a helyiségnek a minimális területét, amelyben a készüléket használni fogják
- A szükséges szellőzőnyílásoknak mindig tisztáknak és dugulásmenteseknek kell lenniük.
- A szervizelést csak a gyártó ajánlásainak megfelelő hitelesített szerviz végezheti.
- A hordozható klímaberendezés vagy páramentesítő bekapcsolása után a ventilátor normál körülmények között folyamatosan működhet, hogy legalább 100 m³/h levegőmennyiséget biztosítson, még akkor is, ha a kompresszor zárva van a hőmérséklet-szabályozó miatt.
- A leolvasztáshoz vagy a tisztításhoz használja a gyártó által ajánlott berendezéseket és eszközöket.
- Ne perforálja a hűtőkör egyik elemét sem. A hűtőgáz lehet szagtalan.
- Az olyan karbantartást és javításokat, amelyek más képzett személyzet segítségét igénylik, gyúlékony hűtőközeg-szakemberek felügyelete mellett kell elvégezni.



Tűzveszély fenyeget

A termék használatbavétele előtt gondosan olvassa el a használati útmutatót.

Az R290 hűtőgáz megfelel az európai környezetvédelmi irányelveknek.

A készüléket legalább 4 m² alapterületű jól szellőzött helyiségben kell felszerelni, üzemeltetni és tárolni.

Az R290 jelű gázt használó berendezések kezelési útmutatója és javítása

Ellenőrizze a belső teret

A tűzveszély minimalizálása érdekében biztonsági ellenőrzést kell végezni, és a következő óvintézkedéseket kell megtenni a gyűlékony hűtőközeget tartalmazó berendezések üzemeltetése kezdete előtt.

A munkavégzés menete

Minden munkát az utasításoknak megfelelően kell elvégezni annak érdekében, hogy minimalizálják a munka során keletkező gyűlékony gázok vagy gőzök jelenlétének kockázatát.

Munkatér

Minden karbantartó és egyéb személyzetnek megfelelő utasításokat kell adni a munka megfelelő elvégzéséről. Kerülni kell a zárt terekben végzett munkát.

A hűtőközeg jelenléte ellenőrzése

A területet megfelelő hűtőközeg-érzékelővel kell ellenőrizni annak biztosítása érdekében, hogy a műszaki alkalmazottak ne legyenek kitéve működés közben a hűtőközeg-szivárgásoknak. Minden munkavállalónak tisztában kell lennie azzal, hogy potenciálisan mérgező és tűzveszélyes helyen tartózkodik. Győződjön meg arról, hogy a gázszivárgás-érzékelő berendezés alkalmas-e valamennyi alkalmazható hűtőközeg használatához.

A tűzoltókészülék jelenléte

Ha a hűtőberendezésen bármilyen munkát kell végezni, akkor megfelelő tűzoltó készüléket kell ahhoz biztosítani. Legyen a keze ügyében száraz porral vagy CO₂-vel működő tűzoltó készülék.

Ne legyenek gyújtóforrások

A hűtőrendszerrel dolgozó személyek semmilyen módon nem használhatnak olyan forrásokat, amelyek gyulladást okozhatnak, mivel az tüzet vagy robbanást okozhat. Az összes lehetséges gyújtóforrást, például cigarettát, öngyújtót stb. a telepítés, javítás, eltávolítás és ártalmatlanítás helyétől elegendő távolságban kell elhelyezni, mivel a hűtőközeg ebbe a környezetbe is bekerülhet. Mielőtt a munkát elkezdené, ellenőrizze a berendezés környezetét és győződjön meg arról, hogy ne fenyeget-e tűz- vagy gyulladásveszély.

A szellőztetett tér

A munka megkezdése vagy a berendezés szétszerelése előtt ellenőrizze, hogy a belső térség kellőképpen nyitott vagy szellőztetett-e. A belső teret szellőztetni kell bármilyen munkavégzés során.

A hűtőberendezés ellenőrzése

Ha elektromos alkatrészeket cserélnék ki, akkor azoknak meg kell felelniük a célnak és a helyes specifikációnak. A munkavégzés során kövesse a gyártó karbantartási és szervizelési útmutatásait. Kétségek esetén vegye fel a kapcsolatot a gyártó szerviztechnikusával.

Tűzveszélyes hűtőközegeket használó létesítményeknél a következő ellenőrzéseket kell elvégezni:

- a hűtőközeg töltete megfelel annak a helyiségnek a méreteinek, amelybe a hűtőközeget tartalmazó alkatrészeket telepítik
- a szellőzőberendezés és a levegőkivezetők megfelelően működnek, és semmi sem akadályozza működésüket
- a berendezésen levő jelöléseknek mindig láthatóknak és olvashatóknak kell lenniük. Az olvashatatlan jelöléseket ki kell javítani.
- a hűtőközeg-csőeknek és alkotóelemeinek korrózióállónak vagy megfelelően korrózióval szemben védettnek kell lenniük és nem szabad azokat kitenni olyan anyagoknak, amelyek korro

- dálthatják a hűtőközeg csöveit és annak alkotóelemeit.

A elektromos berendezések ellenőrzése

Az elektromos alkatrészek javításának és karbantartásának ki kell terjednie a kezdeti biztonsági ellenőrzésekre. Ha olyan üzemzavar keletkezik, ami veszélyeztetheti a biztonságot, akkor a javítás elvégzéséig nem szabad semmilyen áramforrást csatlakoztatni az áramkörhöz.

Kezdeti ellenőrzés:

- Ellenőrizték, hogy a kondenzátorok nincsenek-e kisülve. Az ellenőrzést biztonságosan kell elvégezni a gyulladás lehetőségének megakadályozása figyelembevételével.
- A rendszer feltöltése, újratelepítése vagy tisztítása során minden elektromos alkatrészt és vezetékét szigetelni kell.
- Mindent helyesen kell leföldelni.

A bezárt alkatrészek javítása

A bezárt alkatrészek javítása során minden áramforrást le kell választani. Ha feltétlenül szükséges tápfeszültséget használni a készülék karbantartásakor, akkor állandóan működő gázszivárgás-érzékelőt kell a legkritikusabb pontba elhelyezni, hogy figyelmeztesse Önt egy potenciálisan veszélyes helyzetre.

Különös figyelmet kell fordítani a következőkre annak elkerülése érdekében, hogy a burkolat meg ne sérüljön, amikor az elektromos alkatrészeken dolgoznak és ezáltal csökken a védelem szintje. A csökkentett védelmi szintek magukban foglalják a kábelkárosodást, a túlzott számú csatlakozásokat, az eredeti specifikációban nem rögzített sorkapcsokat, tömítéskárosodást, nem megfelelő összeszerelést stb.

Biztosítsák, hogy a tömítések vagy tömítőanyagok nem bomoljanak meg mindaddig, amíg már nem akadályozzák meg a tűzveszélyes anyagok bejutását a légkörbe. Csak eredeti tartalékalkatrészeket használjanak.

Gyűjtőszikramentes alkatrészek javítása

Ne használjon folyamatos induktív vagy kapacitív terhelést a kivezetésen anélkül, hogy megbizonyosodott arról, hogy az nem lépi túl a megengedett feszültséget és áramerősséget.

Gyűjtőszikramentes alkatrészek az egyetlen fajták, amelyeken Ön dolgozhat, miközben a gyúlékony légkörben tartózkodik.

Az alkatrészek cseréjét a gyártónak kell pontosítani. A nem megfelelő alkatrészek hűtőközeg-szivárgást és azt követően gyulladást okozhatnak.

Kábelezés

Ellenőrizze, hogy a kábelek ne legyenek kitéve elhasználódásnak, korrózióknak, túlzott nyomásnak, rezgéseknek, éles széléknek vagy a környezetre gyakorolt más káros hatásoknak. Ellenőrizze a rezgési forrásokat is, például kompresszorok vagy ventilátorok életkorát vagy állandó rezgését.

Tűzveszélyes hűtőfolyadék kijelzése

Semmilyen körülmények között nem szabad éghető anyagokat használni a hűtőfolyadék lehetséges szivárgásainak kereséséhez. Nem szabad halogénéget (vagy más nyílt lángérzékelőt) használni.

Eltávolítás és kiürítés

Ha a hűtőkört javítás céljából vagy bármilyen más célból megnyitja, akkor a szokásos eljárásokat kell alkalmazni. Tűzveszélyes hűtőfolyadékok esetében azonban csak a legmegfelelőbb eljárásokat kell alkalmazni, mivel itt az anyag gyúlékonyságát figyelembe kell venni. A következő eljárást kell betartani:

- eltávolítani a hűtőfolyadékot

- kitisztítani az inert gáz körét
- kiüríteni;
- inert gázzal kitisztítani;
- vágással vagy forrasztással nyissa meg az áramkört.

A hűtőközeg töltését vissza kell vezetni a megfelelő jellegű körökhöz. Tűzveszélyes hűtőközeget tartalmazó berendezéseknél a rendszert oxigénmentes nitrogénnel kell átöblíteni, hogy a berendezés biztonságos legyen a gyúlékony hűtőközegek számára. Előfordulhat, hogy ezt az eljárást többször meg kell ismételni. Sűrített levegőt vagy oxigént nem szabad a hűtőrendszer tisztításához használni.

Tűzveszélyes hűtőközeget tartalmazó berendezéseknél a hűtőfolyadék tisztítását úgy kell végrehajtani, hogy az oxigénmentes nitrogénnel keresztül vákuumot érjen el, amíg el nem éri az üzemi nyomást, majd visszatér a légköri nyomáshoz és ismét visszatér a vákuumhoz. Ezt a folyamatot addig kell ismételni, amíg a rendszerben egyáltalán nem marad hűtőközeg. Az oxigénmentes nitrogén utolsó adagjának használatakor a légköri nyomást vissza kell állítani, hogy lehetővé váljon a rendszerben történő munkavégzés. Ez az eljárás abszolút jelleggel alapvető, ha a csövön forrasztást kell végezni.

Ügyeljen arra, hogy a vákuumszivattyú kimenete ne legyen egy potenciális tűzforrás közelében, és hogy ez a hely megfelelő szellőzésű legyen.

A töltési folyamat

A hagyományos eljárásokon kívül a következő követelményeket is be kell tartani.

- Ügyeljen arra, hogy feltöltéskor ne következhesen be más hűtőfolyadékkal történő szennyeződés. A tömlőket és a csöveket a lehető legrövidebbekre kell készíteni a hűtőközeg-tartalom minimalizálása érdekében.
- A hengereket az utasításoknak megfelelő helyzetben kell tartani.
- A hűtőközeg feltöltése előtt ellenőrizze, hogy a hűtőközeg-áramkör földelt-e.
- A rendszer feltöltése után azonnal címkézze meg a rendszert (ha azt már előzőleg nem tette meg).
- Fordítson fokozott figyelmet arra, hogy ne töltse túl a rendszert.

A rendszer újratöltése előtt ellenőrizze a nyomást megfelelő tisztítógázzal. A feltöltést követően, de üzembe helyezés előtt ellenőrizni kell a rendszert, hogy nincs-e hűtőközeg-szivárgása.

A következő hűtőközeg-szivárgási tesztet kell elvégezni a helyszín elhagyása előtt.

Üzemből történő kiselejtezés

Mielőtt ezt a lépést végrehajtja, elengedhetetlen, hogy a műszaki szakember teljes ismerettel rendelkezzen a berendezésről és annak minden részletéről. Ajánlott a hűtőközeget biztonságosan lefedni. A művelet előtt mintát kell venni az olajból és a hűtőfolyadékból, arra az esetre, ha elemzést kell végezni a hűtőfolyadék újbóli felhasználása előtt. A feladat megkezdése előtt villamos energiának kell rendelkezésre állnia.

- Ismerkedjen meg a készülékkel és annak működésével.
- Szigetelje el a rendszert az elektromosságtól.
- Az eljárás végrehajtása előtt biztosítsa, hogy:
 1. Szükség esetén mechanikus kezelőberendezés álljon a tartály kezelésére.
 2. Személyi védőfelszerelés rendelkezésre áll és megfelelően kerülnek használatra.
 3. Biztosítva van az eljárás felügyelete illetékes személy által.
 4. A felszerelés és a tartály megfelel az alkalmazandó szabványoknak.
- Szivattyúzza ki a hűtőrendszert, amennyiben az lehetséges.
- Ha a vákuum nem érhető el, hozzon létre egy elosztót, hogy a hűtőközeg eltávolítható

legyen a rendszer különböző részeiből.

- Indítsa el a cserélő berendezést, és kövesse az utasításokat.
- Ne töltse túl a tartályt (legfeljebb a folyadék mennyiségének 80% -áig).
- Ne lépje túl a tartályban megengedett maximális üzemi nyomást, még átmenetileg sem.
- A csövek leválasztása előtt ellenőrizze, hogy a berendezés valamennyi szelepe zárva van-e.
- A cserehűtőközeget csak akkor szabad betölteni egy másik hűtőrendszerbe, ha azt megtisztították és ellenőrizték.

Címkézés

A berendezést úgy kell felcímkézni, hogy egyértelmű legyen, hogy azt leszerelték és abból a hűtőközeget eltávolították. A címkét dátummal és aláírással kell megjelölni. Tűzveszélyes hűtőközeget tartalmazó készülékeknél győződjön meg arról, hogy a címke tartalmazza-e a gyúlékony hűtőközeget.

Csere

Ha a hűtőközeget eltávolítják a rendszerből üzemem kívül történő helyezés vagy a szervizelés céljából, javasolt a hűtőközeg biztonságos eltávolítása.

Amikor a hűtőközeget a tartályba helyezi át, feltétlenül győződjön meg arról, hogy megfelelő méretű tartályt használ. Ügyeljen arra, hogy elegendő helye legyen a hűtőrendszer teljes tartalma áttöltésére. Valamennyi felhasznált tartályt az adott hűtőközegre kell felhasználni és meg kell jelölni a hűtőközeg típusával (pl. speciális hűtőközeg-visszanyerő tartályok). A tartályokat nyomás alatti légtelenítő szeleppel és jó üzemállapotban levő elzárószelepekkel kell ellátni. Az üres tartályokat teljesen ki kell üríteni és ha lehetséges, akkor újrafelhasználás előtt azokat meg kell tisztítani.

A csereberendezésnek jó üzemi állapotban kell lennie, és a berendezéshez rendelkezésre kell állnia az útmutatónak a megfelelő hűtőközeg visszanyerésére, beleértve a gyúlékony anyagokat is. Ezenkívül kalibrált mérlegeknek jó működési állapotban is rendelkezésre kell állniuk. A tömlőknek jó állapotban kell lenniük és épeknek kell lenniük a lefolyócsatlakozókkal együtt. A csereberendezés használata előtt ellenőrizze, hogy az megfelelő állapotban van-e, hogy megfelelően karbantartott-e és hogy minden elektromos alkatrésze le van-e úgy tömítve, hogy megakadályozza a berendezés begyulladását a hűtőközeg felszabadulása esetén. Kétség esetén vegye fel a kapcsolatot a gyártóval.

A cserélt hűtőközeget vissza kell juttatni a hűtőközeg-szállítóhoz a megfelelő cserepalackokban, hozzácsatolt közléssel a megfelelő újrahasznosítás érdekében. Ne keverje a hűtőközegeket a csereegységekben és különösen ne a palackokban.

Ha a kompresszort vagy a kompresszorolajat kell eltávolítani, akkor ellenőrizték, hogy megfelelő szintben kerültek-e kiürítésre, hogy a gyúlékony hűtőközeg ne maradjon a kenőanyagban. A kiürítési folyamatot el kell végezni, mielőtt a kompresszort a beszállítóknak visszaküldik. Ennek a folyamatnak a felgyorsításához csak a kompresszortest elektromos fűtése használható. Az olaj a rendszerből történő leürítések biztonságosan kell eljáráni.



Dziękujemy za zakup naszego produktu!

Przed użyciem dokładnie zapoznaj się z niniejszą instrukcją obsługi.

Instrukcje bezpiecznej obsługi

- Urządzenie włączaj na równej i stabilnej powierzchni, żeby zapobiec wibracjom i hałasowi.
- Urządzenie nie może przyjść do styku z wodą lub innymi płynami.
- Nie używaj tego urządzenia, jeśli ma uszkodzony przewód zasilający lub inne obwody. Może dojść do wypadku.
- Urządzenie mogą używać dzieci w wieku od 8 lat i osoby o ograniczonych zdolnościach fizycznych, sensorycznych lub umysłowych lub osoby bez doświadczeń i znajomości, pod warunkiem, że znajdują się pod nadzorem dorosłej osoby lub zostali przez dorosłą osobę poinstruowani w zakresie korzystania z urządzenia i zrozumieli związane z nim niebezpieczeństwa. Dzieciom nie wolno bawić się z tym urządzeniem. Dzieci nie powinny bez nadzoru urządzenie czyścić i wykonywać jego konserwację.
- Po zatrzymaniu urządzenia i przed jego zresetowaniem i konserwacją, należy urządzenie odłączyć od źródła zasilania.
- Tylko do użytku w pomieszczeniach.
- Przed ponownym uruchomieniem urządzenia opróżnij zbiornik na wodę, aby zapobiec jego przepełnieniu.
- Nie przechylaj urządzenia, aby zapobiec jego uszkodzeniu w wyniku wylania wody ze zbiornika.
- Nie wkładaj żadnych twardych przedmiotów do urządzenia. Mogłoby dojść do jego uszkodzenia.
- Jeśli dojdzie do uszkodzenia przewodu zasilającego, musi zostać wymieniony przez technika serwisu. Nigdy nie próbuj samodzielnie naprawiać kabla.
- Nie używaj osuszacza w zapyłonym otoczeniu (plac budowy itp.).
- Przed przystąpieniem do jakichkolwiek czynności związanych z urządzeniem należy opróżnić oba zbiorniki (przedni i tylny, który służy do podłączenia węża). Nigdy nie odkładaj urządzenia podczas przechowywania lub przenoszenia.

Ostrzeżenie:

- Nie umieszczaj urządzenia w pobliżu źródeł ciepła (kaloryfer, grzejnik, piec, itp.).
- Nie zatrzymuj urządzenia, wyciągając przewód z gniazdka.
- W pobliżu urządzenia nie używaj żadnych łatwopalnych substancji.
- Nie czyść urządzenia wodą. Zawsze używaj lekko zwilżonej delikatnej szmatki.
- Nie wycieraj urządzenia chemikaliami. Jeśli urządzenie jest zanieczyszczone, użyj neutralnego środka czyszczącego.
- Nie przechylaj urządzenia o więcej niż 45° ani nie kładź go do góry nogami.

Częste pytania

Dlaczego zimą w zbiorniku gromadzi się mniej wody?

Zimą temperatury są niskie i jest suche powietrze, dzięki czemu urządzenie zatrzyma mniej wilgoci niż latem.

Dlaczego urządzenie nie włącza się lub wyłącza się samowolnie?

Zbiornik na wodę może być pełny lub nieprawidłowo umieszczony. Wylej wodę ze zbiornika

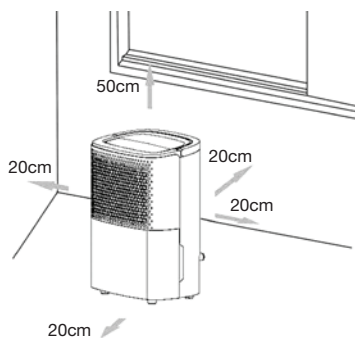
lub umieść zbiornik we właściwej pozycji. Temperatura otoczenia może być niewystarczająca do prawidłowego działania urządzenia. Osuszanie nie może odbywać się, jeśli temperatury są niższe niż 5 °C lub wyższe niż 32 °C. (Optymalne użytkowanie urządzenia mieści się w zakresie 16-32°C.)

Dlaczego z wylotu doprowadzenia powietrza wieje gorące powietrze?

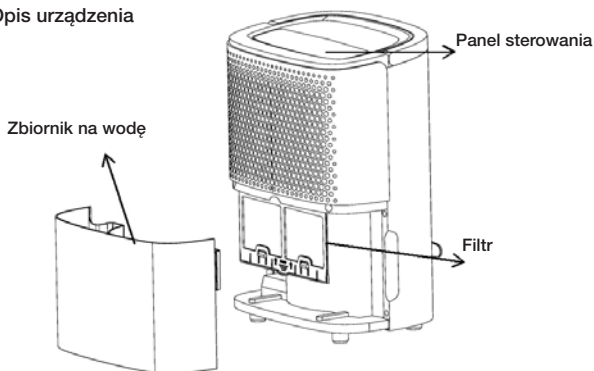
Urządzenie wyciąga powietrze z pomieszczenia, a osuszacz je schładza, temperatura spada poniżej punktu kondensacji, powietrze kondensuje się w kropelki wody, które ostatecznie wpadają do zbiornika wody, a osuszone powietrze jest podgrzewane przez jednostkę oddającą ciepło. Może to zmniejszyć zużycie energii, a także przyspieszyć osuszanie, dzięki czemu wydmuchiwane jest gorące powietrze. Nie chodzi o usterkę urządzenia.

Instalacja urządzenia

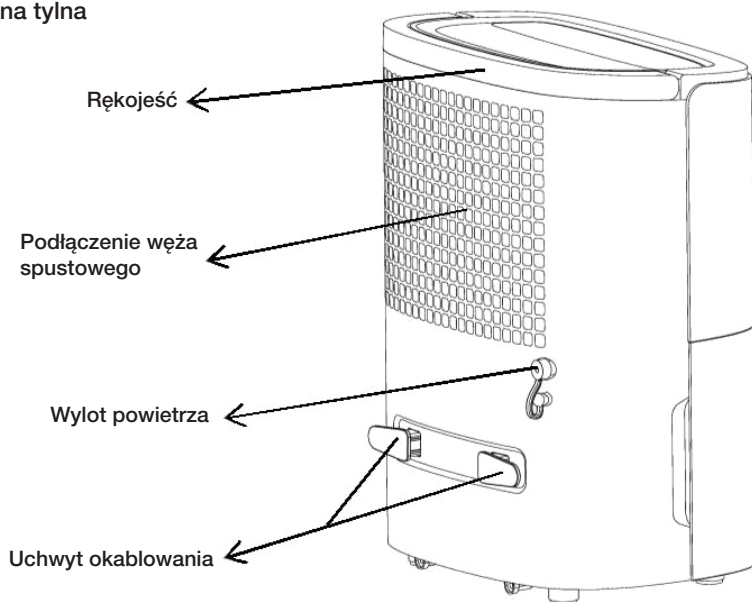
- Przed uruchomieniem urządzenia spuść wodę ze zbiornika na wodę.
- Gdy urządzenie jest włączone, nie otwieraj drzwi i okien, jeśli to możliwe - może to zaoszczędzić zasoby energii.
- Po zainstalowaniu osuszacza należy wokół urządzenia wyznaczyć pewien odstęp. Nad urządzeniem 50 cm i 20 cm w dowolnym innym kierunku, jak pokazano na poniższym rysunku.
- Jeśli podczas pracy osuszacza stwierdzono duży hałas: Zaleca się włożyć pod rządzenie podkładki lub gumę amortyzującą. Może zmniejszyć wibracje i hałas, a może również zmniejszyć uszkodzenia drewnianej podłogi lub dywanu (w wyniku wibracji lub wycieku wody).



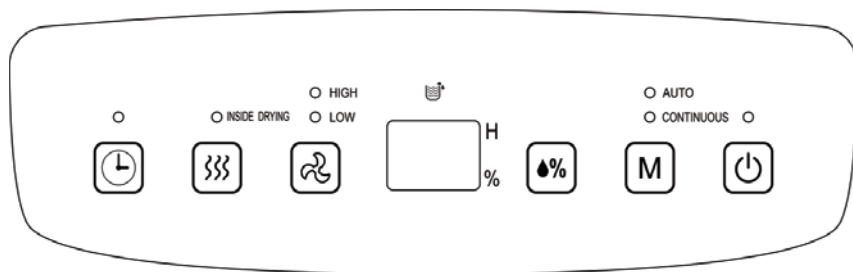
Opis urządzenia



Strona tylna



Panel sterowania



Ustawienie czasu - Naciskając ten przycisk można ustawić czas, przez jaki osuszacz powinien działać. Zakres ustawienia to 0-24 godzin - jedno naciśnięcie zwiększa czas o 1 godzinę. Przytrzymaj dłużej, aby anulować ustawienie.

Funkcja osuszania wewnętrznych części urządzenia - Naciskając ten przycisk, rozpoczniesz proces osuszania urządzenia. Może to zapobiec tworzeniu się pleśni z powodu wilgotnego środowiska wewnątrz urządzenia. Cała procedura osuszania trwa około godziny. Naciskając ten przycisk ponownie, anulujesz tę funkcję i przywrócisz poprzednio uruchomiony program.

Wentylator - Naciśnij ten przycisk w trybie AUTO i Cloth dry, jeśli chcesz zmienić prędkość wentylatora (cyrkulacji powietrza).

LED wyświetlacz - W trybie AUTO i Cloth dry pokazuje aktualną wilgotność w pomieszczeniu. W trybie ustawionego czasu pokazuje

Ustawienie wilgotności - Po naciśnięciu tego przycisku wyświetlana jest wilgotność w zakresie 30% - 80%. Ustawienie wilgotności jest ważne tylko w trybie AUTO.

Tryb - Podczas włączania urządzenia lub uruchamiania timera, wybierz wymagany tryb (AUTO / CONTINUOUS) naciskając ten przycisk - zapali się wskaźnik odpowiadający wybranemu trybowi.

Przycisk ON / OFF - Naciskając ten przycisk włączysz lub wyłączyz

Metody eksploatacji

Automatyczne wyłączenie urządzenia za pomocą timera

Gdy osuszacz pracuje, naciśnij przycisk TIMER, aby ustawić czas od 1 do 24 godzin. Jednokrotne naciśnięcie przycisku zwiększa ustawienie o 1 godzinę - po pływie ustawionego czasu 24 godzin wartość powraca do 1 godziny. Po upływie wybranego czasu urządzenie wyłącza się automatycznie. Po wybraniu wymaganego czasu, wybrana wartość zostanie zapisana po 5 sekundach. W wyłączonym timerze świeci na przycisku TIMER lampka kontrolna.

Automatyczne włączanie urządzenia za pomocą timera

Gdy osuszacz znajduje się w trybie uśpienia, jest metoda określania czasu ustawienia przyciskiem TIMER taka sama, jak wyłączenie timera. Po zakończeniu ustawiania, jeśli przycisk TIMER w ogóle do 5 sekund nie zadziała, ustawiony czas zostanie potwierdzony. W wyłączonym stanie timera świeci na przycisku TIMER lampka kontrolna i ustawiony czas jest wyświetlany na panelu sterowania.

Tryb AUTO

Wybierz AUTO tryb osuszania. Jeśli wilgotność w pomieszczeniu jest wyższa niż ustawiona wilgotność o + 5%, sprężarka uruchomi się, a wentylator będzie pracować z ustawioną prędkością. Jeśli wilgotność w pomieszczeniu wynosi od + 5% do - 5% ustawionej wilgotności, sprężarka i wentylator będą pracować z ustawioną prędkością. Jeżeli wilgotność w pomieszczeniu jest niższa od ustawionej wilgotności o -5%, to sprężarka zatrzyma się, ale wentylator będzie pracował z ustawioną prędkością. Domyślne ustawiona wartość wilgotności to 50%.

Tryb Cloth dry (CONTINUOUS)

Wybierz CIĄGŁE osuszanie, niezależnie od wilgotności względnej w pomieszczeniu sprężarka uruchomi się, wentylator pracuje domyślnym ustawieniu z dużą prędkością, a prędkość powietrza można regulować za pomocą przycisku prędkości powietrza.

Funkcja osuszania wewnętrznych części urządzenia

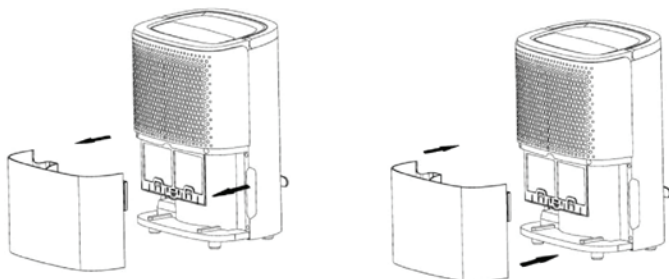
Naciskając przycisk OSUSZANIE rozpocznij proces osuszania. Urządzenie uruchamia się przy WYSOKIEJ prędkości powietrza i nieprzerwanie wypuszcza powietrze przez 30 minut. Urządzenie następnie przestawi się na 15 minut na NISKĄ prędkość powietrza.

Jeśli chcesz zatrzymać proces, naciśnij ponownie przycisk OSUSZANIE, aby przerwać proces i powrócić do poprzedniego trybu pracy. Albo naciskając przycisk zasilania zatrzymaj proces i wznowi tryb uśpienia.

Opróżnianie zbiornika na wodę

- Gdy zbiornik na wodę jest pełny, na wyświetlaczu LED mruga ikona pełnego zbiornika na wodę (sprężarka i wentylator wyłączą się), 10 razy zabrmi sygnał dźwiękowy, który uprzedzi użytkownika na pełny zbiornik.

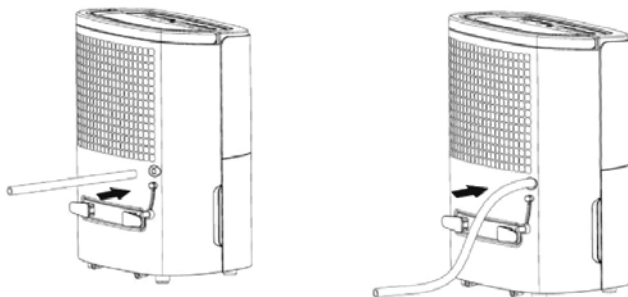
- Połóż obie ręce z boku tylnej pokrywy, ostrożnie wyjmij zbiornik na wodę i otwórz pokrywę zbiornika po prawej stronie korpusu, następnie wylej wodę ze szczeliny między zbiornikiem a pokrywą.
- Zamknij pokrywę zbiornika i przekręć uchwyt zbiornika wody w dół, a następnie ostrożnie włóż zbiornik z powrotem, aby ponownie uruchomić urządzenie.



- Uwaga: jeśli zbiornik na wodę jest pełny, opróżnij go. Przed włożeniem zbiornika na wodę do osuszacza sprawdź, czy pływak obraca się elastycznie lub nie, a następnie obiema rękami wróć go na swoje miejsce.

2. Ciągłe odwadnianie

- Jeśli nie chcesz często opróżniać zbiornika na wodę, podłącz do osuszacza wąż spustowy (o średnicy wewnętrznej 9 mm), aby woda spływała automatycznie.



- Uwaga: Upewnij się, że wąż jest dobrze zamocowany. Nie używaj węża dłuższego niż 60 cm. Odpływ nie może znajdować się wyżej niż przyłącze węża odpływowego.

Konserwacja

Środki zapobiegawcze:

- Przed przystąpieniem do konserwacji lub naprawy urządzenia należy odłączyć przewód zasilający, aby nie doszło do porażenia prądem.
- Jeśli nie używasz osuszacza przez dłuższy czas, odłącz zasilanie.
- Nie czyść korpus urządzenia rozpuszczalnikami chemicznymi, takimi jak alkohol, benzyna itp.
- Regularnie czyść zbiornik na wodę i jego pokrywę miękką szmatką zwilżoną w zimnej lub ciepłej wodzie, aby zapobiec powstaniu pleśni wewnątrz osuszacza.
- Delikatnie wytrzyj powierzchnię urządzenia wilgotną szmatką i nie używaj płynów czyszczących ani młotek ściernych, mogłyby dojść do uszkodzenia plastikowej powierzchni.

- Zmywalne sitko należy czyścić zimną lub ciepłą wodą przynajmniej raz na dwa tygodnie. Nie używaj rozpuszczalników chemicznych ani gorącej wody.

Rozwiązywanie problemów

Problem	Możliwa przyczyna	Rozwiązanie
Urządzenie nie działa.	<ul style="list-style-type: none"> • Przewód zasilający jest odłączony. 	<ul style="list-style-type: none"> • Podłącz go do gniazdka.
	<ul style="list-style-type: none"> • Zbiornik na wodę jest pełny lub nieprawidłowo umieszczony. (FL) 	<ul style="list-style-type: none"> • Opróżnij go i umieść we właściwej pozycji.
	<ul style="list-style-type: none"> • Temperatura w pomieszczeniu jest niższa niż 5°C lub wyższa niż 32°C. (LO/HI) 	<ul style="list-style-type: none"> • Normalna przyczyna, urządzenie nie będzie działać w tych warunkach.
Funkcja osuszania jest mało wydajna.	<ul style="list-style-type: none"> • Temperatura lub wilgotność w pomieszczeniu jest zbyt niska. 	<ul style="list-style-type: none"> • W okresie letnim, gdy jest więcej suszy jest funkcja osuszania ograniczona.
	<ul style="list-style-type: none"> • Wylot powietrza jest zablokowany. 	<ul style="list-style-type: none"> • Usuń przeszkodę.
Urządzenie nie wypuszcza powietrza.	<ul style="list-style-type: none"> • Filtr jest zatkany/ zabrudzony. 	<ul style="list-style-type: none"> • Wyczyść go.
Nadmierny hałas podczas osuszania.	<ul style="list-style-type: none"> • Urządzenie jest źle ustawione. 	<ul style="list-style-type: none"> • Ustaw go na równej i twardej powierzchni.
	<ul style="list-style-type: none"> • Filtr jest zatkany/ zabrudzony. 	<ul style="list-style-type: none"> • Wyczyść go.
	<ul style="list-style-type: none"> • Lekki hałas. 	<ul style="list-style-type: none"> • Normalny dźwięk urządzenia chłodzącego; w porządku.
Wyciek wody	<ul style="list-style-type: none"> • Podłączenie węża spustowego jest poluzowane. 	<ul style="list-style-type: none"> • Dokręć go.
	<ul style="list-style-type: none"> • System odpływu jest zatkany. 	<ul style="list-style-type: none"> • Usuń przeszkodę i wyprostuj węża.
Szron	<ul style="list-style-type: none"> • Temperatura otoczenia jest niska i czeka na odszranianie. (P1) 	<ul style="list-style-type: none"> • Jest to normalne zjawisko, urządzenie posiada funkcję automatycznego odszraniania.
LC error	<ul style="list-style-type: none"> • Zabezpieczenie przed dziećmi jest włączone. 	<ul style="list-style-type: none"> • Naciśnij i przytrzymaj przycisk M przez 3 sekundy.

Polska wersja językowa instrukcji jest dokładnym tłumaczeniem oryginalnej instrukcji producenta. Zdjęcia wykorzystane w tym podręczniku są jedynie ilustracją i mogą nie odwzorowywać dokładnie produktu.

Instrukcje bezpieczeństwa dotyczące instalacji urządzenia korzystającego z płynu chłodniczego R290.

Aby zapobiec uszkodzeniu, ustaw urządzenie w pozycji pionowej, na co najmniej 24 godziny przed rozpoczęciem pracy. Upewnij się, że wlot i wylot powietrza nigdy nie są zatkane. Zawsze używaj urządzenia wyłącznie na poziomej powierzchni, aby zapobiec wyciekom wody z urządzenia.

OSTRZEŻENIE

- Nie przekraczaj wysokość impedancji 0,236 ohmów w zasilaniu, do którego podłączone jest urządzenie.
- Każda osoba zajmująca się naprawami klimatyzacji lub pracująca z płynem chłodniczym powinna posiadać ważny certyfikat na te prace zgodnie z przepisami obowiązującymi w danym kraju.
- Podczas utylizacji opakowania lub urządzenia nie zapomnij o środowisku i zutylizuj je do odpowiedniego odpadu.
- Urządzenie powinno być przechowywane w dobrze wentylowanym środowisku, w którym wielkość pomieszczenia odpowiada wymaganiom do eksploatacji.
- Urządzenie należy przechowywać w taki sposób, aby nie doszło do uszkodzeń mechanicznych.
- Informacje o miejscach, w których dozwolona jest instalacja rur dla płynu chłodniczego, zawierają następujące oświadczenia:
 - » instalacja przewodów rurowych musi być ograniczona do minimum
 - » przewody rurowe powinny być chronione przed uszkodzeniem fizycznym a w przypadku stosowania łatwopalnych czynników chłodniczych, nie może być zainstalowane w niewentylowanym pomieszczeniu
 - » należy przestrzegać krajowe przepisy dotyczące gazownictwa
 - » podłączenia mechaniczne powinny być dostępne do celów konserwacji
 - » na urządzeniach zawierających łatwopalne czynniki chłodnicze powinna być podana minimalna powierzchnia pomieszczenia, w którym urządzenie będzie używane
- Wymagane otwory wentylacyjne muszą być zawsze czyste i wolne i niezatkanie.
- Serwis może być przeprowadzany wyłącznie przez certyfikowane centrum serwisowe zgodnie z zaleceniami producenta.
- Po włączeniu klimatyzacji mobilnej lub osuszacza może wentylator pracować w normalnych warunkach bez przerwy w taki sposób, aby zapewnić minimalną objętość powietrza w wysokości 100 m³ / h, nawet, gdy sprężarka jest zamknięta z powodu regulatora temperatury.
- Do rozmrażania lub czyszczenia używaj narzędzi i środki czyszczące zalecane przez producenta.
- Nie podziuraw żadnych części obwodu chłodzącego. Gaz chłodzący może być bez zapachowy.
- Konserwacje i naprawy wymagające pomocy innego wykwalifikowanego personelu muszą być przeprowadzane pod nadzorem specjalistów od łatwopalnych czynników chłodniczych.



Grozi ryzyko pożaru

Przed użyciem urządzenia przeczytaj uważnie instrukcję obsługi.

Gaz chłodniczy R290 spełnia wymagania europejskich dyrektyw dotyczących środowiska.

Urządzenie powinno być zainstalowane, eksploatowane i przechowywane w dobrze wentylowanym pomieszczeniu o powierzchni, co najmniej 4 m².

Instrukcje i naprawy urządzeń wykorzystujących gaz R290

Sprawdź obszar

Aby zminimalizować ryzyko pożaru, należy przeprowadzić kontrolę bezpieczeństwa, a przed rozpoczęciem pracy na urządzeniu zawierającym łatwopalny czynnik chłodniczy należy podjąć następujące środki ostrożności.

Procedury postępowania przy pracy

Wszystkie prace należy wykonywać zgodnie z przykazanymi instrukcjami, aby zminimalizować ryzyko obecności łatwopalnego gazu lub oparów podczas pracy.

Obszar roboczy

Cały personel konserwacyjny i pozostały personel musi zostać poinstruowany o prawidłowym wykonywaniu pracy. Należy unikać prac przeprowadzanych w ograniczonych przestrzeniach.

Kontrola obecności czynnika chłodniczego

Obszar musi zostać sprawdzony za pomocą odpowiedniego detektora gazu chłodniczego, aby personel techniczny został zapewniony, że podczas pracy nie nastąpił wyciek czynnika chłodniczego. Wszyscy pracownicy muszą być świadomi, że znajdują się w obszarze potencjalnie toksycznym i łatwopalnym. Upewnij się, że urządzenie do wykrywania wycieku gazu jest odpowiednie do zastosowania ze wszystkimi stosownymi czynnikami chłodniczymi.

Obecność gaśnicy

Jeżeli mają być na urządzeniu chodzącym przeprowadzane jakiegokolwiek prace, należy być do dyspozycji odpowiedni sprzęt do gaszenia pożarów. Gaśnicę proszkową lub CO₂ należy mieć blisko pod ręką.

Żadne źródła zapłonu

Żadna osoba pracująca z układem chłodzenia nie może w żaden sposób korzystać ze źródeł, które mogą spowodować zapłon, ponieważ może to doprowadzić do pożaru lub wybuchu. Wszystkie możliwe źródła zapłonu, takie jak papierosy, zapalniczki itp., powinny znajdować się z dala od miejsca instalacji, naprawy, usuwania i utylizacji, ponieważ może dojść do uwolnienia czynnika chłodniczego do otoczenia. Przed przystąpieniem do pracy należy sprawdzić obszar wokół urządzenia i upewnić się, że nie występuje zagrożenie pożarem lub zagrożenie zapłonem.

Wentylowana przestrzeń

Przed rozpoczęciem pracy lub demontażu urządzenia upewnij się, że obszar jest otwarty lub wentylowany. Obszar powinien być zawsze wentylowany.

Kontrola urządzenia chłodzącego

W przypadku wymiany części elektrycznych muszą one być odpowiednie do danego celu i posiadać właściwą specyfikację. Przez cały czas postępuj zgodnie z instrukcjami producenta dotyczącymi konserwacji i serwisu. W razie jakichkolwiek wątpliwości skontaktuj się z technikiem serwisu producenta.

Podczas instalacji z zastosowaniem łatwopalnych czynników chłodniczych należy przeprowadzić następujące kontrole, czy:

- ilość czynnika chłodniczego odpowiada wielkości przestrzeni, w której zainstalowane są części zawierające czynnik chłodniczy
- urządzenia wentylacyjne i wyloty powietrza działają odpowiednio i czy nie są niczym

zablokowane

- oznakowania na urządzeniu muszą być zawsze widoczne i czytelne. Nieczytelne oznakowania powinny zostać poprawione.

Kontrola urządzeń elektrycznych

Naprawa i konserwacja części elektrycznych powinna obejmować wstępne kontrole bezpieczeństwa.

Jeśli wystąpi usterka, która mogłaby zagrozić bezpieczeństwu, do obwodu nie można podłączyć żadnego źródła zasilania, dopóki nie zostanie przeprowadzona naprawa.

Kontrola wstępna:

- Sprawdź, czy kondensatory zostały rozładowane. Kontrola powinna być przeprowadzona w bezpieczny sposób, aby zapobiec możliwości zapłonu.
- Wszystkie części elektryczne i przewody elektryczne muszą być podczas ładowania, przywracania lub czyszczenia systemu izolowane.
- Wszystko musi być poprawnie uziemione.

Naprawy części zamkniętych

Wszystkie źródła elektryczne powinny zostać podczas naprawy uszczelnionych elementów odłączone. Jeśli do serwisowania jest absolutnie niezbędne zasilanie elektryczne, wówczas w najbardziej krytycznym punkcie należy umieścić trwałe działający wykrywacz ułatniającego się gazu, który ostrzega przed potencjalnie niebezpieczną sytuacją.

Specjalną uwagę należy poświęcić następującym faktom, aby podczas prac na częściach elektrycznych nie doszło do uszkodzenia osłony w taki sposób, że by doszło do obniżenia poziomu ochrony. Zaniżony poziom ochrony zawiera uszkodzenie kabli, nadmierną ilość podłączeń, zaciski, które nie zostały przymocowane zgodnie z oryginalną specyfikacją, uszkodzenie uszczeltek, niewłaściwy montaż itd.

Upewnij się, że uszczelki lub szczeliwa nie uległy degradacji, i to aż do momentu, kiedy nie będą służyć do zapobiegania przedostawaniu się łatwopalnych substancji do atmosfery. Używaj tylko i wyłącznie oryginalnych części zamiennych.

Naprawy elementów iskrobezpiecznych

Nie należy stosować ciągłego obciążenia indukcyjnego lub pojemnościowego na odpywie bez upewnienia się, że nie przekracza on dopuszczalnego napięcia i prądu.

Komponenty iskrobezpieczne to jedyne rodzaje, nad którymi można pracować, gdy przebywasz w obecności łatwopalnej atmosfery.

Wymiana komponentów powinna być wyspecyfikowana przez producenta. Niewłaściwe komponenty mogą spowodować wyciek czynnika chłodniczego i następny zapłon.

Okablowanie

Sprawdź, czy kable nie są wystawiane zużyciu, korozji, nadmiernemu ciśnieniu, wibracjom, ostrym krawędziom lub innym niekorzystnym wpływom dla środowiska. Sprawdź również ich wiek, czy nieustanne wibracje ze źródeł, takich jak sprężarki lub wentylatory.

Wykrywanie łatwopalnego chłodziwa

Do identyfikowania możliwych wycieków chłodziwa nie należy pod żadnym pozorem używać potencjalnie łatwopalnych materiałów. Nie wolno używać palnika halogenowego (lub jakiegokolwiek inny wykrywacz korzystający z otwartego płomienia).

Usuwanie i opróżnianie

Podczas otwierania obwodu chłodzącego w celu naprawy lub w jakimkolwiek innym celu należy zastosować konwencjonalne procedury. Jednak w przypadku chłodziw łatwopalnych ważne jest stosować tylko te najbardziej odpowiednie procedury, ponieważ należy brać pod uwagę

łatwopalność materiału. Należy przestrzegać następującą procedurą:

- Usunąć płyn chłodzący.
- Oczyszczyć obieg z gazu obojętnego.
- Opróżnić.
- Oczyszczyć za pomocą gazu obojętnego.
- Otworzyć obieg przez rozcięcie lub lutowanie.

Ładunek obiegu chłodniczego należy przywrócić do właściwych obwodów. W przypadku urządzeń zawierających łatwopalny czynnik chłodniczy, system należy oczyścić azotem beztlenowym, aby zapewnić bezpieczeństwo urządzenia względem łatwopalnego czynnika chłodniczego. Czasami może być konieczne powtórzenie tej procedury kilka razy. Do czyszczenia układu chłodzenia nie należy używać sprężonego powietrza ani tlenu.

W przypadku urządzeń zawierających łatwopalne chłodziwo, czyszczenie chłodziwa powinno odbywać się poprzez osiągnięcie podciśnienia za pośrednictwem azotu beztlenowego aż do momentu osiągnięcia ciśnienia roboczego, następnie poprzez przywrócenie ciśnienia atmosferycznego i ponownego odzyskania podciśnienia. Proces ten należy powtarzać tak długo, dopóki w układzie nie zostanie żaden czynnik chłodniczy. W momencie, kiedy zostanie użyta ostatnia partia azotu beztlenowego, powinno nastąpić przywrócenie ciśnienia atmosferycznego, aby umożliwić pracę w systemie. Ta procedura jest absolutnie podstawowa, jeśli rura ma być lutowana.

Upewnij się, że wylot pompy próżniowej nie znajduje się w pobliżu potencjalnego źródła pożaru i że to miejsce jest wystarczająco wentylowane.

Procedura napełniania

Oprócz procedur konwencjonalnych należy przestrzegać następujących wymagań.

Zapewnij, aby podczas napełniania nie doszło do zanieczyszczenia innymi czynnikami chłodniczymi. Węże i przewody powinny być jak najkrótsze, aby w nich zminimalizować zawartość czynnika chłodniczego.

- Walce powinny być utrzymywane we właściwych pozycjach zgodnie z instrukcją.
- Upewnij się, aby obieg chłodniczy był przed napełnianiem czynnikiem chłodniczym uziemiony.
- Gdy tylko napełnianie zostanie zakończone (jeśli jeszcze nie zostało wykonane) i oznakuj urządzenie etykietą.
- Uważaj, aby nie przepelnić systemu.
- Zwróć specjalną uwagę na to, abyś nie przepelnił układ.

Przed ponownym napełnieniem układu sprawdź ciśnienie odpowiednim gazem oczyszczającym. Układ powinien zostać sprawdzony pod kątem możliwego wycieku czynnika chłodniczego po jego dopelnieniu, ale przed jego uruchomieniem.

Przed opuszczeniem miejsca powinien zostać wykonany kolejny test wycieku czynnika chłodniczego.

Wycofanie z eksploatacji

Przed wykonaniem tego kroku jest istotne, aby technik miał pełną wiedzę na temat tego urządzenia i wszystkich jego szczegółów. Zaleca się, aby czynnik chłodniczy został w bezpieczny sposób zakryty. Przed wykonaniem czynności powinien być odebrana próbka oleju i czynnika chłodniczego na wypadek, gdyby przed ponownym użyciem tego samego czynnika chłodniczego należało przeprowadzić analizę. Przed rozpoczęciem zadania jest niezbędne mieć do dyspozycji energię elektryczną.

- Zapoznaj się z urządzeniem i jego eksploatacją.
- Odizoluj układ od prądu elektrycznego.

- Przed wykonaniem czynności zapewnij, aby.
- W razie potrzeby dostępne jest mechaniczne urządzenie do manipulowania pojemnikiem.
- Środki ochrony indywidualnej są dostępne i właściwie stosowane.
- Nad całą procedurą jest zapewniony nadzór wykonywany przez osobę kompetentną.
- Wyposażenie i pojemniki są zgodne z obowiązującymi normami.
- Jeśli to możliwe, wypompuj układ chłodzenia.
- Jeśli nie można osiągnąć próżni, utwórz rozdzielacz, aby można było usunąć czynnik chłodniczy z różnych części układu.
- Uruchom urządzenie wymienne i postępuj zgodnie z instrukcjami.
- Nie przepelniaj pojemnika (nie więcej niż 80% objętości cieczy).
- Nie przekraczaj maksymalnego ciśnienia roboczego w zbiorniku, nawet tymczasowo.
- Przed odłączeniem przewodów rurowych upewnij się, że wszystkie zawory w urządzeniu są zamknięte.
- Zamiennego czynnika chłodniczego nie wolno ładować do innego układu chłodzenia, chyba, że zostanie on oczyszczony i skontrolowany.

Znakowanie

Urządzenie powinno zostać oznakowane w taki sposób, aby było jasne, że zostało wycofane z eksploatacji, a czynnik chłodniczy został z niego usunięty. Etykieta powinna być opatrzona datą i podpisana. W przypadku urządzeń zawierających łatwopalny czynnik chłodniczy upewnij się, że etykieta zawiera informację, że urządzenie zawiera łatwopalny czynnik chłodniczy.

Wymiana

Podczas usuwania czynnika chłodniczego z urządzenia w celu jego wycofania z eksploatacji lub serwisowania zaleca się, aby czynnik chłodniczy został usunięty w bezpieczny sposób.

Przenosząc czynnik chłodniczy do pojemnika, należy się upewnić, że używasz odpowiedni duży pojemnik. Zapewnij, abyś miał do dyspozycji wystarczająco dużo miejsca, aby można było przechowywać cały ładunek układu chłodzenia. Wszystkie używane pojemniki muszą być przeznaczone do danego czynnika chłodniczego i oznakowane danym rodzajem czynnika (np. specjalne pojemniki do odnawiania czynnika chłodzącego). Zbiorniki powinny być wyposażone w ciśnieniowy zawór odpowietrzający i zawory odcinające w dobrym stanie technicznym. Puste pojemniki powinny zostać przed ponownym użyciem opróżnione i najlepiej również wyczyszczone.

Urządzenie do wymiany powinno być w dobrym stanie, a powinny być do dyspozycji instrukcje do odnowy wszystkich odpowiednich czynników chłodniczych, razem z łatwopalnymi. Ponadto powinny być do dyspozycji skalibrowane wagi w dobrym stanie technicznym. Wężyki muszą być w dobrym stanie i nienaruszone ze złączkami spustowymi. Przed użyciem urządzenia zastępczego sprawdź, czy jest w zadowolającym stanie, czy jest utrzymywane w odpowiednim stanie i czy wszystkie elementy elektryczne są uszczelnione w taki sposób, aby zapobiec zapłonowi w przypadku uwolnienia czynnika chłodniczego. W razie wątpliwości skontaktuj się z producentem.

Wymienny czynnik chłodniczy powinien zostać zwrócony dostawcy czynnika chłodniczego we właściwym walcu zamiennym z dołączoną uwagą dotyczącą prawidłowego recyklingu. Nie mieszaj czynników chłodniczych w jednostkach zamiennych, a zwłaszcza nie w walcach.

Jeżeli sprężarka lub olej sprężarkowy mają zostać usunięte, zapewnij, aby zostały one opróżnione do wystarczającego poziomu, aby łatwopalny czynnik chłodniczy nie pozostał w smarze. Proces opróżniania należy wykonać przed zwróceniem sprężarki dostawcy. W celu przyspieszenia tego procesu można zastosować wyłącznie elektryczne ogrzewanie korpusu sprężarki. Podczas spuszczenia oleju z układu należy zachować ostrożność.

۲۷

