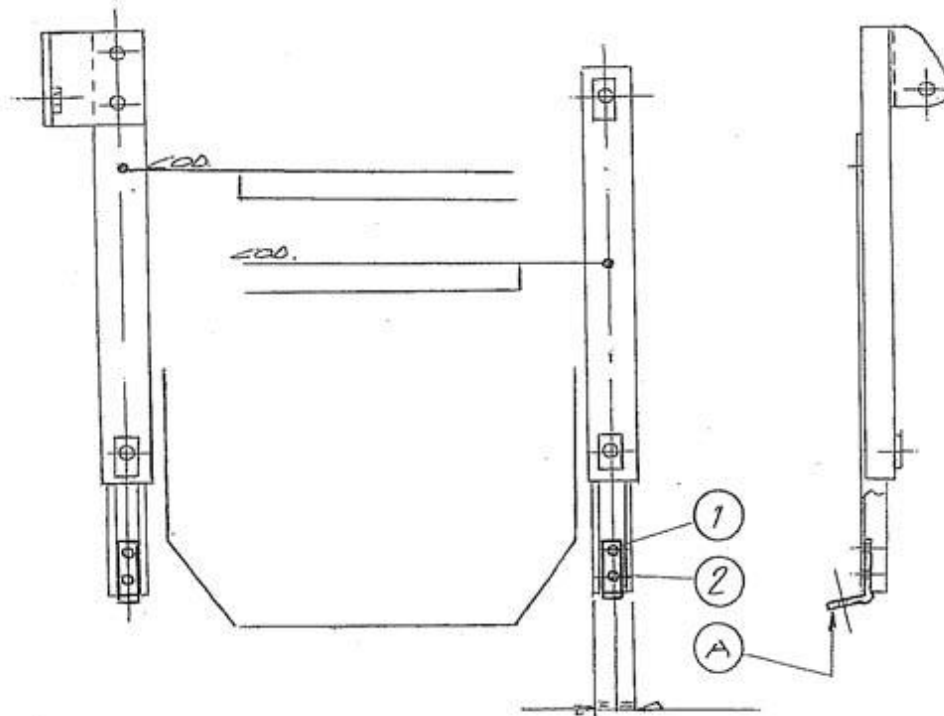


FIG 4010

SEDILE DUCATO X244 (DX)  
N.B.: DER DARGESTELLTE SITZ IST DER DRIFAHRSITZ  
DER FAHRSITZ IST SYMMETRISCH



**INSTRUCTIONS for MODIFICATION OF DUCATO (X230 – X244) SEAT-RUNNERS TO FIT SWIVEL REF. 1305.3998sx-dx**

- 1. Drill two new 9mm. holes where the two welding points there already are (see point 1 – 2 of the sketch) , removing by this operation the front metal tongue ( see – A – of the sketch).**
- 2. Fasten the seat runner onto the swivel using the hole - 2 - .**

**The swivel will be bolted on the seat-box according to the enclosed mounting sequence.**